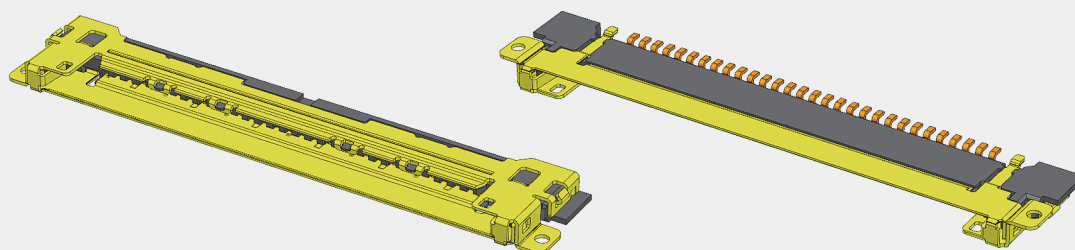


FPC/FFC Connectors (Display)

User 30P

Applications | Mobile device, Display, PC



- ▶ 0.5mm pitch, 1.0mm slim stacking design for saving space
- ▶ Horizontal type micro-coaxial connector
- ▶ Micro-Coaxial Cable (AWG) : #32, #34, #36, #40, #42, #44
- ▶ High data rate transfer
- ▶ Anti-reverse mating design

Code & Specification

Mating Size / Unit : (mm)

| Product Code | Pitch (mm) | No. of Contacts | Width (mm) | Height (mm) | Length | Remark |
|----------------|------------|-----------------|------------|-------------|--------|--------|
| IS050-L30B-C10 | 0.50 | 30 | 3.75 | 3.85 | 37.85 | - |

| Rated Current | Contact Resistance | Withstanding voltage | Temperature Range |
|---------------------|--|----------------------|-------------------|
| See below the table | Contact 60mΩ [Max.] Shell 50mΩ [Max.] | 500V AC(RMS) | -35°C ~ 85°C |

| Applicable Wire (AWG) | #32 | #34 | #36 | #40 | #42 | #44 |
|--------------------------------|------------|------------|------------|------------|-------------|------------|
| Current Rating (per a contact) | 1.0A AC/DC | 1.0A AC/DC | 0.8A AC/DC | 0.3A AC/DC | 0.24A AC/DC | 0.1A AC/DC |

FPC/FFC Connectors (Display)

User 30P

Applications | Mobile device, Display, PC

Product Specification

| | | | | | | |
|---------|---------------|-----------------|-----------------------------|----------------|---------------------------|-----------------------------|
| Ratings | Rated current | See the table | Operating temperature range | -35°C to +85°C | Storage temperature range | 15°C to 35°C (With packing) |
| | Rated voltage | 100V AC(RMS)/DC | Operating humidity range | 70%RH Max. 2 | Storage humidity range | 65%RH Max. 2 |

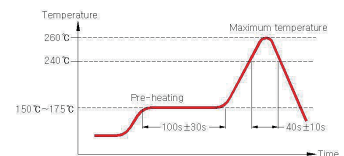
1) Including terminal temperature rise.

2) Storage area is to be free of corrosive gases and dew formation.

| Items | Specifications | Conditions |
|--------------------------|---|---|
| 1. Contact resistance | - Contact : 60mΩ [Max.] - Shell : 50mΩ [Max.] | - Open circuit voltage: 20mV Max.(AC) - Test current: 10mA. |
| 2. Insulation resistance | 1,000MΩ [Min.] | 500V DC |
| 3. Withstanding voltage | No flashover or dielectric breakdown | 500V AC(RMS) for 1minute |
| 4. Insertion Force | 1.24kgf [Max.] | Measured force to insert wafer assembly into the housing assembly which has same circuits. (Speed 25mm/Min) |
| 5. Withdrawal Force | 0.31kgf [Min] | Measured forces to withdraw wafer assembly from the housing assembly which has same circuits. (Speed 25mm/Min) |
| 6. Durability | Contact resistance - Contact : 100mΩ [Max.] - Shell : 90mΩ [Max.] | Measured after 30 cycle total insertion and withdrawal operation. |
| 7. Vibration | 1) Discontinuity : 1.0 microsec. [Max.] 2) Contact resistance - Contact : 100mΩ [Max.] - Shell : 90mΩ [Max.] | - Vibration frequency range : 10~55Hz - Total amplitude : 1.5mm - Sweep ration : 10-55-10Hz/Min - Duration : 2h each (6h in total) |
| 8. Humidity | 1) Contact resistance - Contact : 100mΩ [Max.] - Shell : 90mΩ [Max.] 2) Insulation resistance : 500MΩ [Min.] | - Temperature : 40°C±2°C - Relative humidity : 90% RH to 95% RH - Duration : 96hr |

9. Solder heat resistance No loose contacts no deformation.

Reflow condition.
(Refer to Reflow)



Materials / Finish

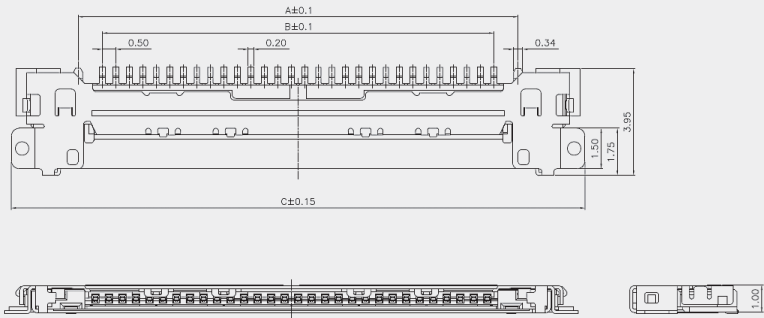
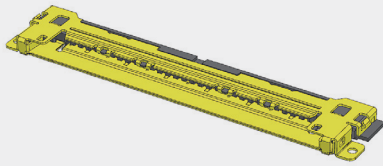
| Part | Materials | Finish | UL Regulation |
|------------------|-----------------|----------------|---------------|
| Base | LCP | Black | UL94V-0 |
| Contact Terminal | Phosphor Bronze | Au , Ni plated | - |
| Shell Cover | Phosphor Bronze | Au , Ni plated | - |

FPC/FFC Connectors (Display)

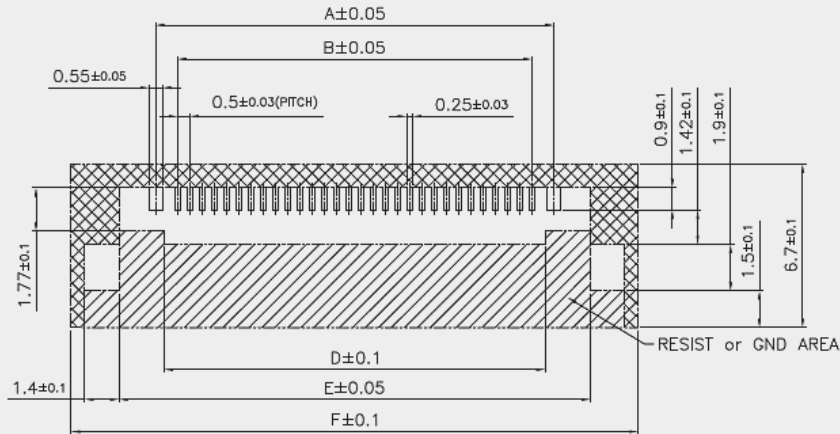
User 30P

Applications | Mobile device, Display, PC

Product Drawing



Recommended PCB , Metal Mask Layout



RECOMMENDED PAD LAYOUT
(Metal Mask 개구부 Size 1:1 t0.12)

Mating Size / Unit : (mm)

| Product No. | No. of Contacts | A | B | C | D | E | F |
|----------------|-----------------|-------|-------|-------|-------|-------|-------|
| IS050-L30B-C10 | 30 | 16.30 | 14.50 | 21.25 | 15.60 | 19.30 | 23.20 |