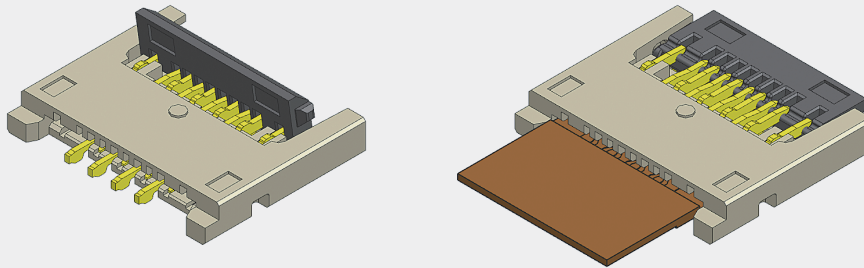


FPC/FFC Connectors

(Mobile)



Applications | Mobile phone, Display, Automotive, Smart watch, Medical equipment, Tablet PC



- ▶ 0.25mm Pitch, 0.66mm Height, Ultra narrow and compact design
- ▶ Easy to Insert FPC and operate Actuator Back-lock system
- ▶ High FPC Retention force with both Locking Terminal
- ▶ Applicable for FPC thickness is 0.12±0.015mm

Code & Specification

Mating Size / Unit : (mm)

Product Code	Pitch (mm)	No. of Contacts	Width (mm)	Height (mm)	Length	Remark
PF025-B08B-N07	0.25	8	3.8	0.66	4.25	-
PF025-B12B-N07	0.25	12	3.8	0.66	5.25	-
PF025-B14B-N07	0.25	14	3.8	0.66	5.75	-
PF025-B35B-N07	0.25	35	3.8	0.66	11.0	-

Rated Current	Contact Resistance	Withstanding voltage	Temperature Range
Signal 0.2A Max.	80mΩ Max.	200V AC(RMS)	-35°C ~ 85°C

FPC/FFC Connectors (Mobile)



Applications | Mobile phone, Display, Automotive, Smart watch, Medical equipment, Tablet PC

Product Specification

Ratings	Rated current	0.2A Max	Operating temperature range	-35°C to +85°C	Storage temperature range	+15°C to +35 °C
	Rated voltage	50V r.m.s	Operating humidity range	85% RH 2	Storage humidity range	65% RH

- 1) Including terminal temperature rise.
- 2) Storage area is to be free of corrosive gases and dew formation.

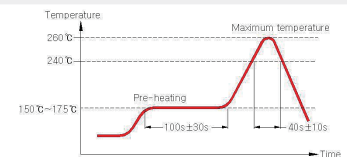
Applicable FPC Specification T=0.12±0.015mm, Gold Plated

Items	Specifications	Conditions
1. Contact resistance	80mΩ Max. / contact	Closed circuit Current : 500mA Open circuit voltage : 20mV Max.
2. Insulation resistance	50MΩ Min.	Test voltage : 250V D.C.
3. Withstanding voltage	No flashover or dielectric breakdown	AC 200V for 1minute
4. Actuator operation forces	(0.15 x contacts) kgf Max.	Push the Actuator Open/ Close direction at a speed of 25mm/min and measured Actuator operation force.
5. FPC retention force	Number of contact ≤ 20pins : 0.40kgf Min. Number of contact ≥ 21pins : 0.51kgf Min.	Pull the FPC from a connector at a speed of 25mm/min and measured extraction force.
6. Durability	No damage or mechanical defect Contact resistance : 200mΩ Max. / contact	Number of cycles : 10 cycles.
7. Vibration	No damage or mechanical defect No interruption over 1μ sec. No FPC drop out Contact resistance : 200mΩ Max. / contact	Amplitude: 1.5mm Acceleration: 15m/s² Frequency: 10~55~10Hz Duration : X,Y,Z axis each 30minutes.
8. Shock	No damage or mechanical defect No interruption over 1μ sec. No FPC drop out	On concrete : 1.8m Height, six axis 3 times, 150g total weight On tile : 0.1m Height, XYZ axis 3,500 times, 150g total weight
9. Humidity	No damage or mechanical defect Contact resistance : 80mΩ Max. / contact Insulation Resistance : 50MΩ Min.	Temperature : 40°C±2°C Humidity : 90% ~ 95% Duration : 96hr
10. Temperature cycle	No damage or mechanical defect Contact resistance : 80mΩ Max. / contact Insulation Resistance : 50MΩ Min.	Temperature : 25~65~25~65~25~-10~25°C Humidity : 90% ~ 95% 5 cycles

11. Solder heat resistance

Visual inspection : Connector shall meet the design and dimensional requirement 3.s of each drawings.

Reflow condition.
(Refer to Reflow)



Materials / Finish

Part	Materials	Finish	UL Regulation
Base	LCP	Natural Color	UL94V-0
Actuator	PPS	Black	UL94V-0
Contact Terminal A	Phosphor Bronze	Au over Nickel	-
Contact Terminal B	Phosphor Bronze	Au over Nickel	-
Locking Terminal	Phosphor Bronze	Au over Nickel	-

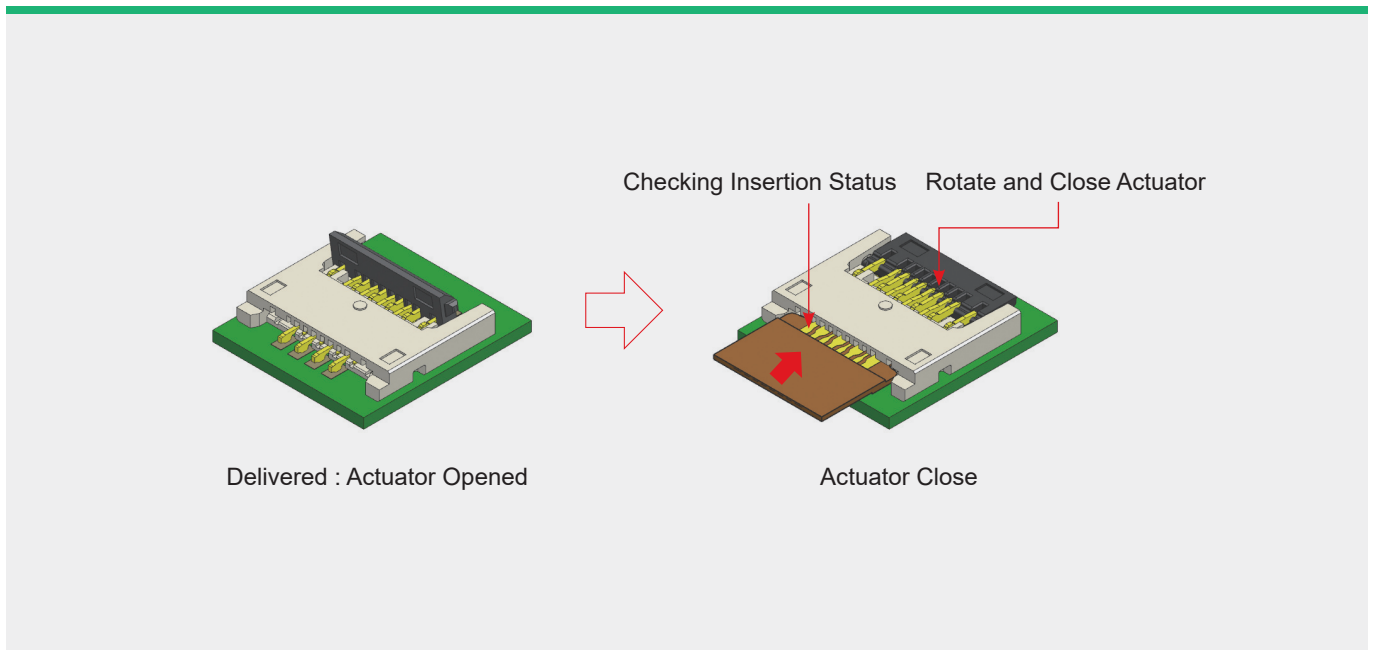
FPC/FFC Connectors (Mobile)



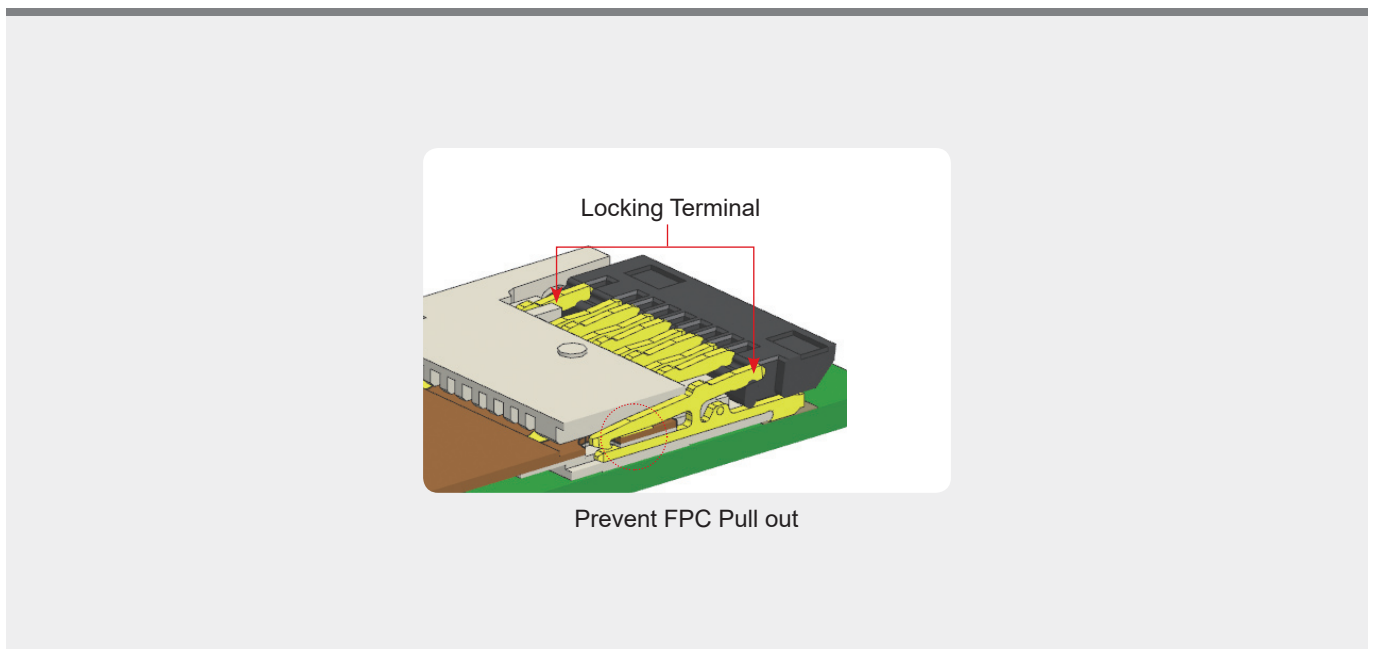
Applications | Mobile phone, Display, Automotive, Smart watch, Medical equipment, Tablet PC

FEATURES AND ADVANTAGES

- ▶ **Easy to Insert FPC and operate Actuator close**
Both Upper and Lower contact, Back Lock System



- ▶ **High FPC Retention Force**
Both Locking Terminal is holding FPC

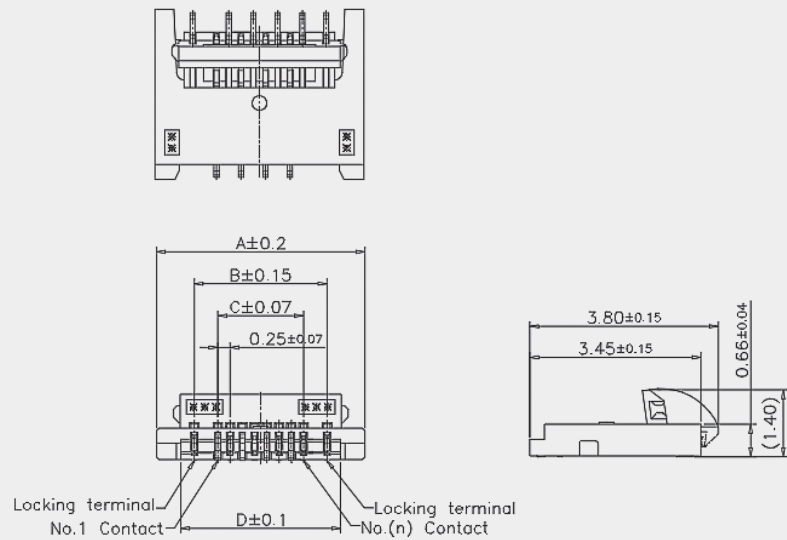
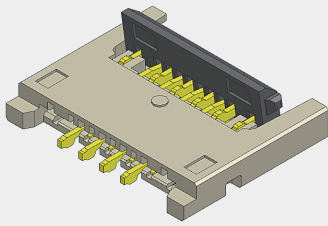


FPC/FFC Connectors (Mobile)

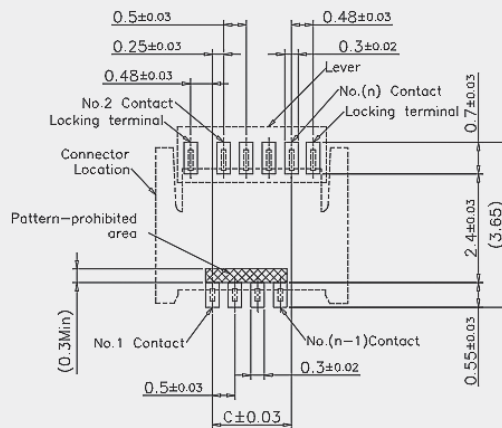
NAMU

Applications | Mobile phone, Display, Automotive, Smart watch, Medical equipment, Tablet PC

Product Drawing



Recommended PCB , Metal Mask Layout



Mating Size / Unit : (mm)

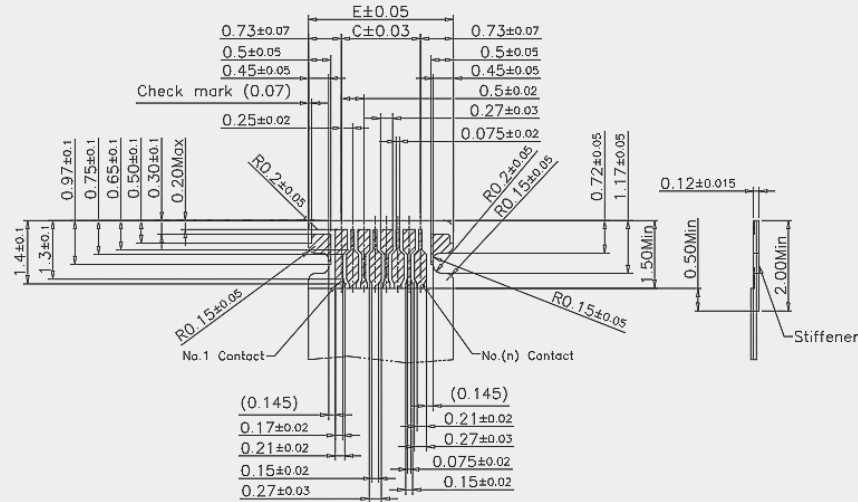
Product No.	No. of Contacts	A	B	C	D
PF025-B08B-N07	8	4.25	2.71	1.75	3.26
PF025-B12B-N07	12	5.25	3.71	2.75	4.26
PF025-B14B-N07	14	5.75	4.21	3.25	4.76
PF025-B35B-N07	35	11.00	9.46	8.50	10.01



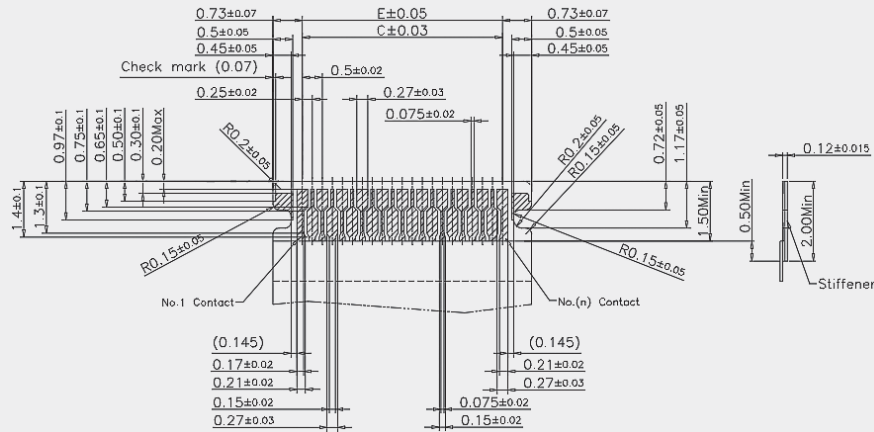
FPC/FFC Connectors (Mobile)

Applications | Mobile phone, Display, Automotive, Smart watch, Medical equipment, Tablet PC

Recommended FPC Dimensions



[Applicable for the Even number contacts]



[Applicable for the Even number contacts]

Mating Size / Unit : (mm)

Product No.	No. of Contacts	C	E
PF025-B08B-N07	8	1.75	3.21
PF025-B12B-N07	12	2.75	4.21
PF025-B14B-N07	14	3.25	4.71
PF025-B35B-N07	35	8.5	9.96