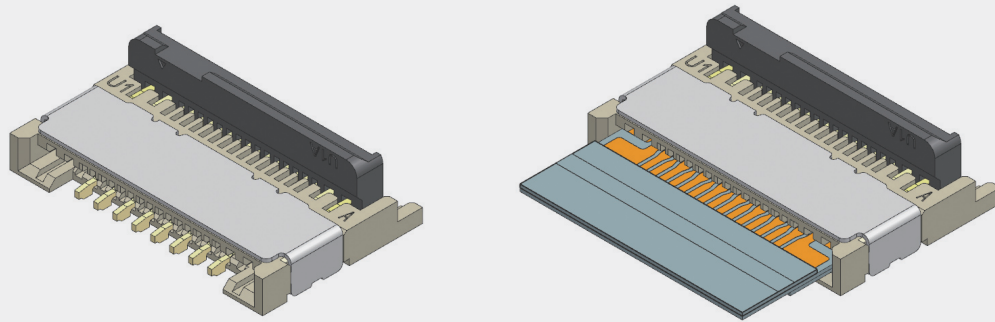


FPC/FFC Connectors

(Mobile)



Applications | Mobile phone, Display, Automotive, Smart watch, Medical equipment, Tablet PC



- ▶ 0.175mm Pitch, 0.65mm Height, Ultra narrow and compact design
- ▶ Easy to Insert FPC and operate Actuator Back-lock system
- ▶ High FPC Retention force with both Locking Terminal
- ▶ Capable of High Current up to 1A with Both Power Terminal
- ▶ Enhanced strength of damage by applying the shell cover
- ▶ Applicable for FPC thickness is 0.12±0.02mm

Code & Specification

Mating Size / Unit : (mm)

| Product Code | Pitch (mm) | No. of Contacts | Width (mm) | Height (mm) | Length | Remark |
|----------------|------------|-----------------|------------|-------------|--------|--------|
| PF018-C17B-N07 | 0.175 | 17 | 3.20 | 0.65 | 4.66 | - |

| Rated Current | Contact Resistance | Withstanding voltage | Temperature Range |
|---|--------------------|----------------------|-------------------|
| Signal 0.2A [Max.] Power 1.0A [Max.] | 200mΩ Max. | 200V AC(RMS) | -35°C ~ 85°C |

FPC/FFC Connectors (Mobile)



Applications | Mobile phone, Display, Automotive, Smart watch, Medical equipment, Tablet PC

Product Specification

| | | | | | | |
|---------|---------------|--|-----------------------------|----------------|---------------------------|-----------------|
| Ratings | Rated current | 0.2A Max. (Signal) 1.0A Max (Power) | Operating temperature range | -35°C to +85°C | Storage temperature range | +15°C to +35 °C |
| | Rated voltage | 50V r.m.s | Operating humidity range | 85% RH 2 | Storage humidity range | 65% RH |

- 1) Including terminal temperature rise.
- 2) Storage area is to be free of corrosive gases and dew formation.

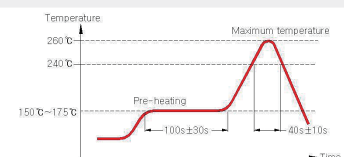
Applicable FPC Specification T=0.12±0.02mm, Gold Plated

| Items | Specifications | Conditions |
|------------------------------|--|--|
| 1. Contact resistance | 200mΩ Max. / contact | Closed circuit Current : 500mA Open circuit voltage : 20mV Max. |
| 2. Insulation resistance | 50MΩ Min. | Test voltage : 250V D.C. |
| 3. Withstanding voltage | No flashover or dielectric breakdown | AC 200V for 1minute |
| 4. Actuator operation forces | 0.8kgf Max. | Push the Actuator Open/ Close direction at a speed of 25mm/min and measured Actuator operation force. |
| 5. FPC retention force | 0.5kgf Min. | Pull the FPC from a connector at a speed of 25mm/min and measured extraction force. |
| 6. Durability | No damage or mechanical defect Contact resistance : 200mΩ Max. / contact | Number of cycles : 10 cycles. |
| 7. Vibration | No damage or mechanical defect No interruption over 1μ sec. No FPC drop out Contact resistance : 200mΩ Max. / contact | Amplitude: 1.5mm Acceleration: 15m/s² Frequency: 10~55~10Hz Duration : X,Y,Z axis each 30minutes. |
| 8. Shock | No damage or mechanical defect No interruption over 1μ sec. No FPC drop out | On concrete : 1.8m Height, six axis 3 times, 150g total weight On tile : 0.1m Height, XYZ axis 3,500 times, 150g total weight |
| 9. Humidity | No damage or mechanical defect Contact resistance : 200mΩ Max. / contact Insulation Resistance : 50MΩ Min. | Temperature : 40°C±2°C Humidity : 90% ~ 95% Duration : 96hr |
| 10. Temperature cycle | No damage or mechanical defect Contact resistance : 200mΩ Max. / contact Insulation Resistance : 50MΩ Min. | Temperature : 25~65~25~65~25~-10~25°C Humidity : 90% ~ 95% 5 cycles |

11. Solder heat resistance

Visual inspection : Connector shall meet the design and dimensional requirement 3.s of each drawings.

Reflow condition.
(Refer to Reflow)



Materials / Finish

| Part | Materials | Finish | UL Regulation |
|--------------------|-----------------|----------------|---------------|
| Base | LCP | Natural Color | UL94V-0 |
| Actuator | PA | Black | UL94V-0 |
| Contact Terminal A | Phosphor Bronze | Au over Nickel | - |
| Contact Terminal B | Phosphor Bronze | Au over Nickel | - |
| Power Terminal | Copper Alloy | Au over Nickel | - |
| Locking Terminal | Phosphor Bronze | Au over Nickel | - |
| Shell Cover | Phosphor Bronze | Au over Nickel | - |

FPC/FFC Connectors (Mobile)

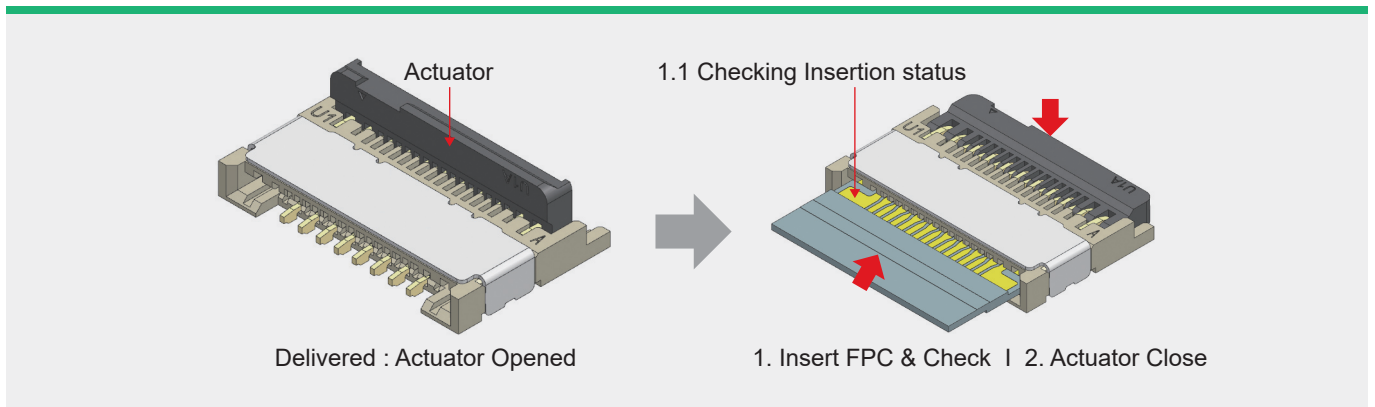


Applications | Mobile phone, Display, Automotive, Smart watch, Medical equipment, Tablet PC

FEATURES AND ADVANTAGES

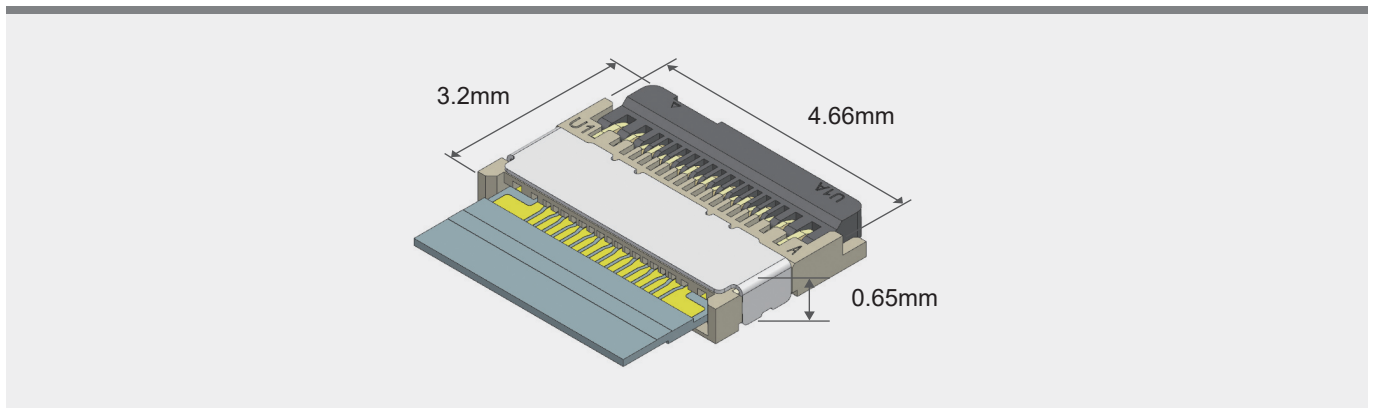
► **Easy to Insert FPC and operate Actuator close**

Upper contact, Back Lock System



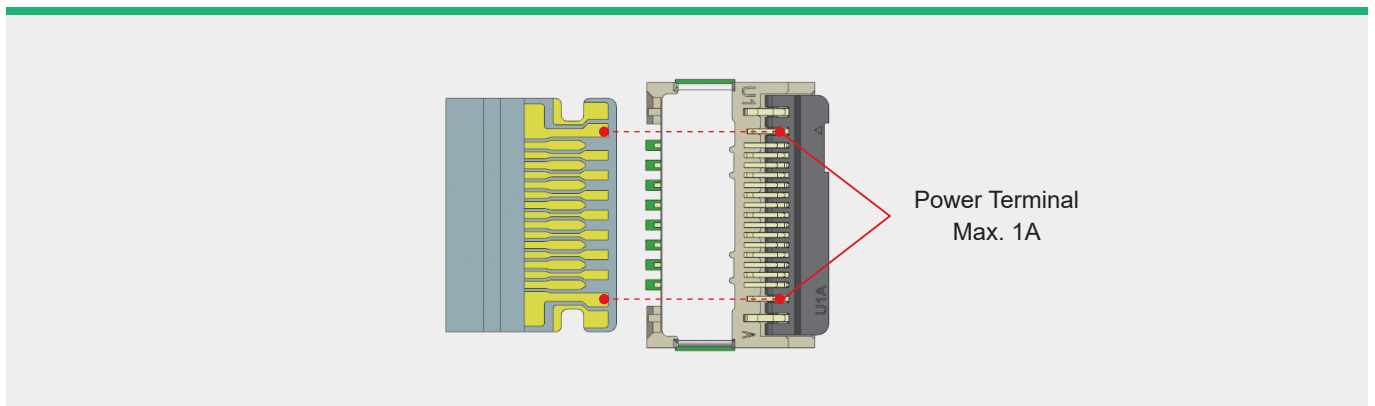
► **Ultra-low profile & Space-saving**

0.175 mm Pitch, 0.65mm Height



► **Capable of High Current**

Both Power Terminals can allow current to 1A



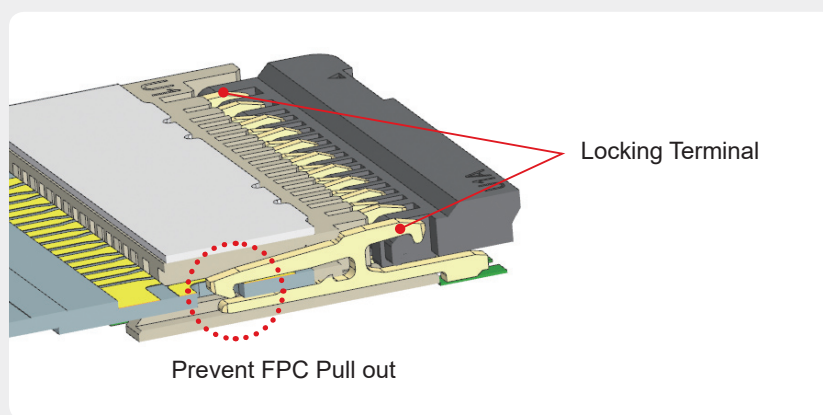
FPC/FFC Connectors (Mobile)



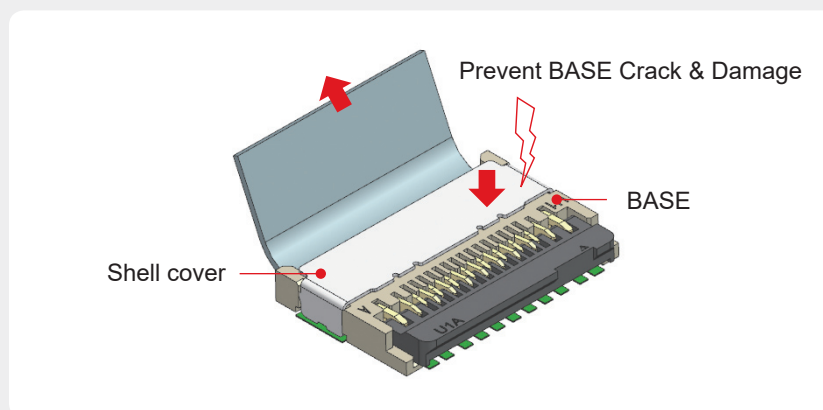
Applications | Mobile phone, Display, Automotive, Smart watch, Medical equipment, Tablet PC

FEATURES AND ADVANTAGES

- ▶ **High FPC Retention Force**
Both Locking Terminal is holding FPC



- ▶ **Design to strengthen against damage**
Reinforced Shell Cover Prevents the Base is Damaged

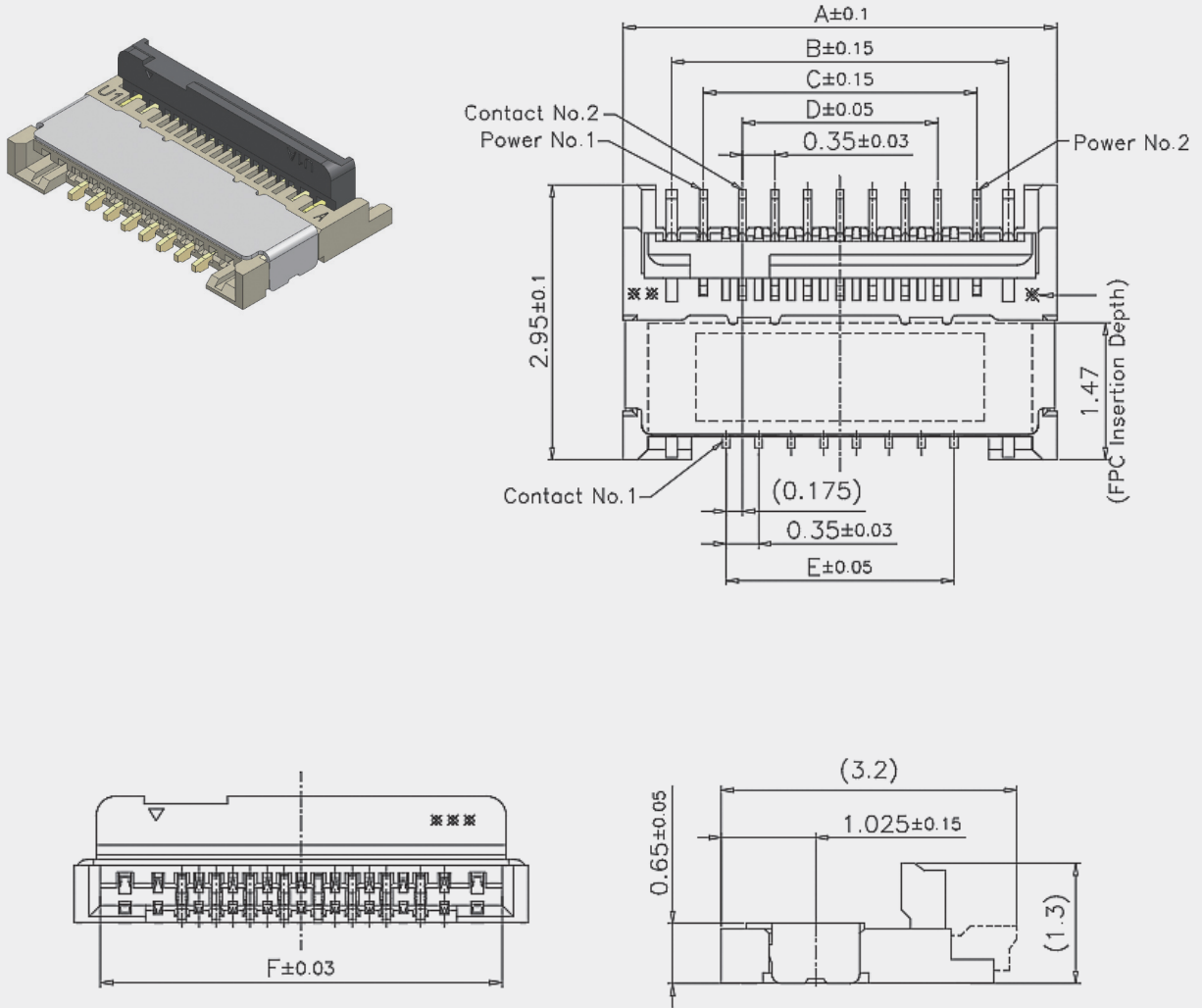


FPC/FFC Connectors (Mobile)



Applications | Mobile phone, Display, Automotive, Smart watch, Medical equipment, Tablet PC

Product Drawing



Mating Size / Unit : (mm)

| Product No. | No. of Contacts | A | B | C | D | E | F |
|----------------|-----------------|------|------|------|------|------|------|
| PF018-C17B-N07 | 17 | 4.66 | 3.62 | 2.94 | 2.10 | 2.45 | 4.13 |

