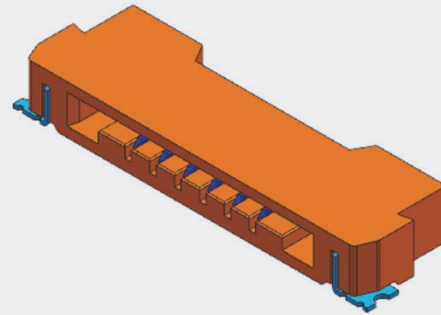
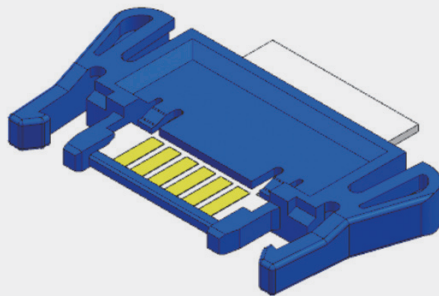


# FPC/FFC Connectors

## (Display, LED Power)

### FFC 1.0 Pitch 2.0H

**Applications** | Mobile device, Display, PC



- ▶ 1.0mm Pitch, 2.0mm Height, Horizontal type connector
- ▶ Applicable for FFC thickness is 0.40±0.03mm

## Code & Specification

Mating Size / Unit : (mm)

Product Code	Pitch (mm)	No. of Contacts	Width (mm)	Height (mm)	Length	Remark
Housing : HS100-L06N-N20	1.00	6	9.30	2.00	18.35	-
Wafer : IS100-L06B-C20	1.00	6	4.00	1.95	37.85	-

Current Rating	Contact Resistance	Withstanding Voltage	Temperature Range
1.0A Max.	100mΩ [Max.]	AC 500V	-35°C ~ 85°C

# FPC/FFC Connectors

## (Display, LED Power)

# FFC 1.0 Pitch 2.0H

**Applications** | Mobile device, Display, PC

## Product Specification

Ratings	Rated current	1.0A Max. / contact	Operating temperature range	-35°C to +85°C	Storage temperature range	15°C to 35°C
	Rated voltage	100V AC, DC	Operating humidity range	85%RH 2	Storage humidity range	65%RH

1) Including terminal temperature rise.

2) Storage area is to be free of corrosive gases and dew formation.

### Applicable FFC Specification T=0.4±0.03mm

Items	Specifications	Conditions
1. Contact resistance	100mΩ Max. / contact	Closed circuit Current : 10mA. Opened circuit voltage : 20mV
2. Insulation resistance	50MΩ Min.	Test voltage : 500V D.C.
3. Withstanding voltage	No flashover or dielectric breakdown	AC 500V for 1minute
4. Insertion Force	6.0kgf [Max.]	FFC shall be insert at a speed of 25mm/min and measured the insertion force.
5. Durability	No damage or mechanical defect Contact resistance : 100mΩ Max. / contact	Number of cycles : 30 cycles.
6. Vibration	No damage or mechanical defect Contact resistance : 100mΩ Max. / contact	Amplitude: 1.5mm Test current: DC 100mA Frequency: 10-55-10Hz/Min Duration : XYZ axis 2h each (6h in total)
7. Humidity	No damage or mechanical defect Contact resistance : 100mΩ Max. / contact Insulation Resistance : 50MΩ Min.	Temperature : 40°C±2°C Humidity : 90% ~ 95% Duration : 96hr
8. Solder heat resistance	Visual inspection : Connector shall meet the design and dimensional requirements of each drawings.	Reflow : Refer to the recommended reflow condition.

## Materials / Finish

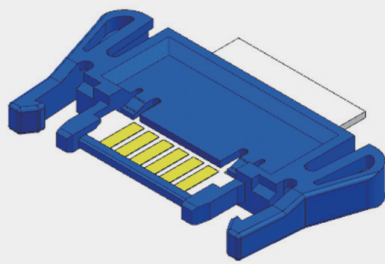
Part	Materials	Finish	UL Regulation
Housing Base	PA66	Natural	UL94V-0
Wafer Base	LCP	Black	UL94V-0
Contact Terminal	Phosphor Bronze	Sn over Nickel	-
Fitting Nail	Phosphor Bronze	Sn over Nickel	-

# FPC/FFC Connectors (Display, LED Power)

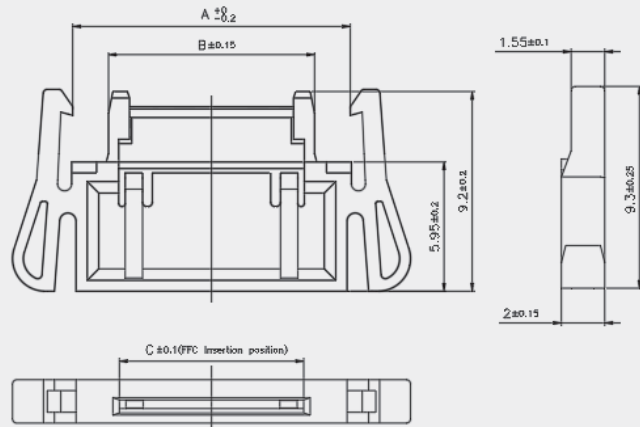
**FFC 1.0 Pitch 2.0H**

**Applications** | Mobile device, Display, PC

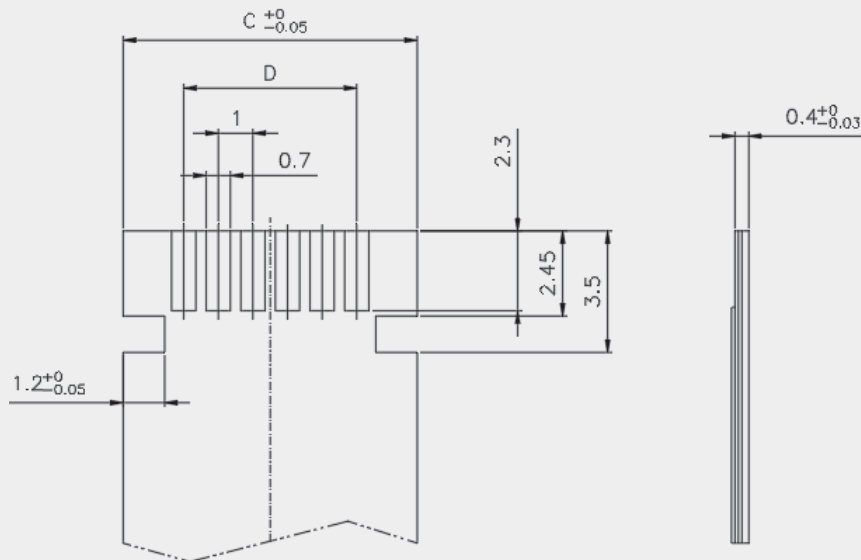
## Product Drawing



PLUG/Housing



## Recommended FPC Dimensions



Mating Size / Unit : (mm)

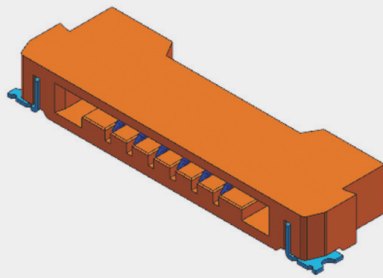
Product No.	No. of Contacts	A	B	C	D
HS100-L06N-N20	6	12.80	9.50	8.50	5.00

# FPC/FFC Connectors (Display, LED Power)

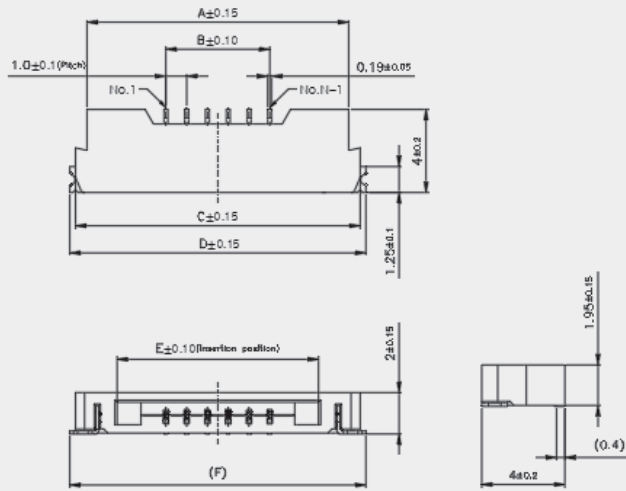
**FFC 1.0 Pitch 2.0H**

**Applications** | Mobile device, Display, PC

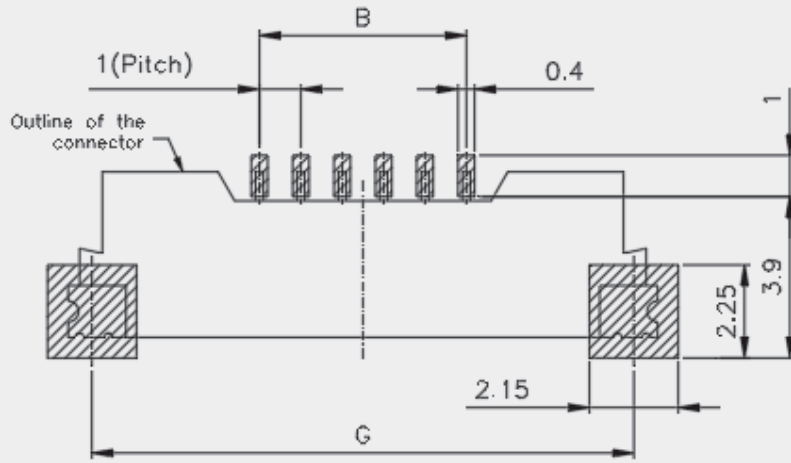
## Product Drawing



HDR/Wafer



## Recommended PCB , Metal Mask Layout



Recommended PCB Dimensions

Mating Size / Unit : (mm)

Product No.	No. of Contacts	A	B	C	D	E	F	G
IS100-L06B-C20	6	12.60	5.00	13.70	14.25	9.70	14.25	13.10