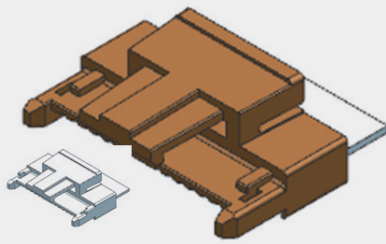


FPC/FFC Connectors (Display, LED Power)

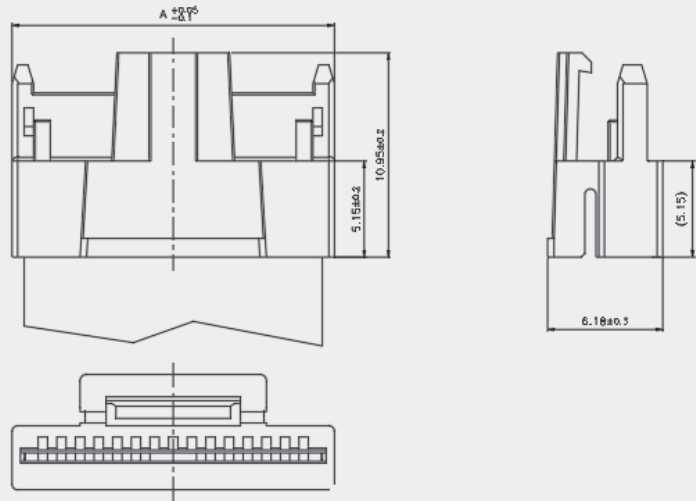
FFC 1.0 Pitch 14PIN 4.6H

Applications | Mobile device, Display, PC

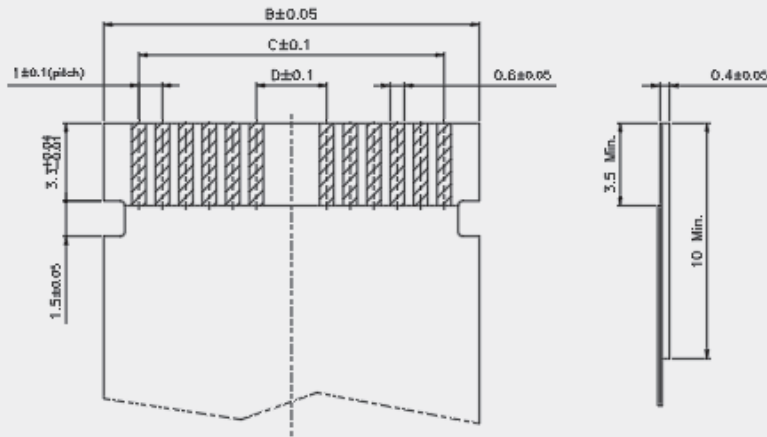
Product Drawing



Housing



Recommended FPC Dimensions



Mating Size / Unit : (mm)

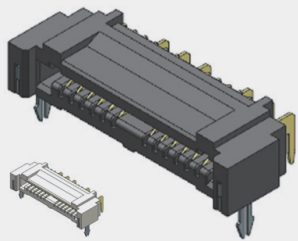
Product No.	No. of Contacts	A	B	C	D
HS100-L14N-N62-A	14	17.30	16.00	13.00	3.00

FPC/FFC Connectors (Display, LED Power)

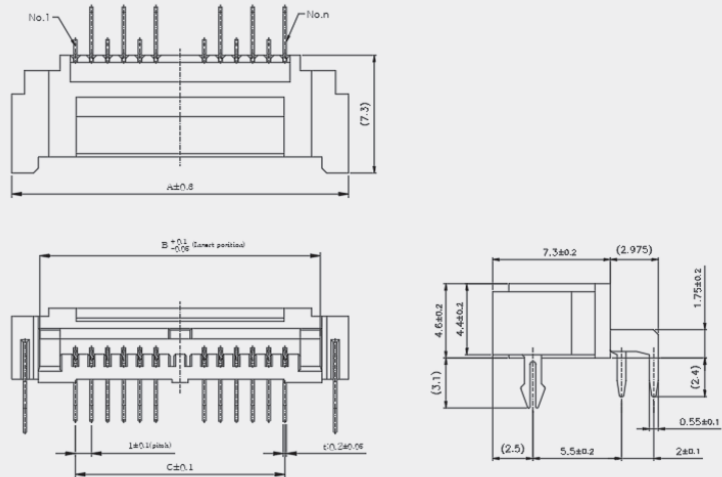
FFC 1.0 Pitch 14PIN 4.6H

Applications | Mobile device, Display, PC

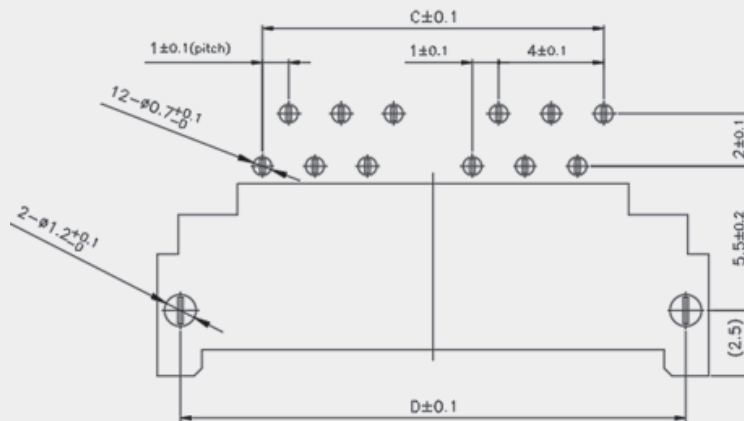
Product Drawing



Wafer



Recommended PCB, Metal Mask Layout



Recommended PCB LAYOUT

Mating Size / Unit : (mm)

Product No.	No. of Contacts	A	B	C	D
IS100-L14T-C46-A	14	20.90	17.40	13.00	19.25

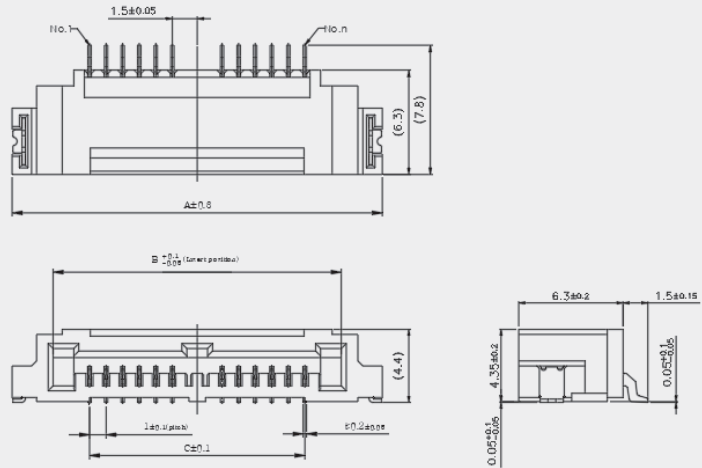
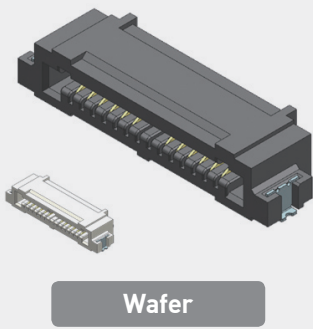
FPC/FFC Connectors

(Display, LED Power)

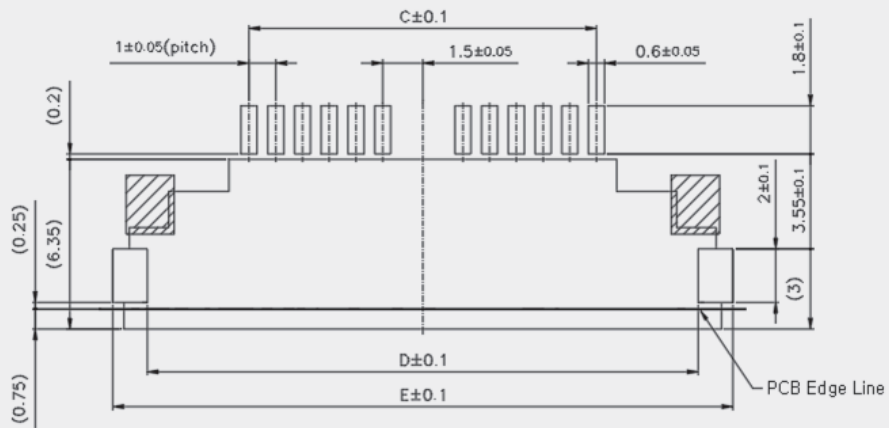
FFC 1.0 Pitch 14PIN 4.6H

Applications | Mobile device, Display, PC

Product Drawing



Recommended PCB, Metal Mask Layout



Recommended PCB Dimensions

Mating Size / Unit : (mm)

Product No.	No. of Contacts	A	B	C	D	E
IS100-L14T-C46-C	14	22.35	17.40	13.00	20.60	23.20