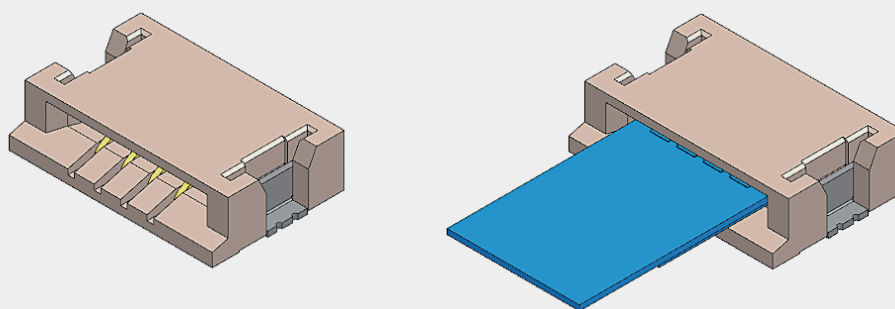


FPC/FFC Connectors (Display, LED Power)

FFC 1.0 4p Angle

Applications | Mobile device, Display, PC



- ▶ 1.0mm Pitch, 2.0mm Height
- ▶ Applicable for FFC thickness is 0.30±0.03mm

Code & Specification

Mating Size / Unit : (mm)

Product Code	Pitch (mm)	No. of Contacts	Width (mm)	Height (mm)	Length	Remark
FN100-Z04B-C20	1.00	4	6.00	2.00	7.70	-

Current Rating	Contact Resistance	Withstanding Voltage	Temperature Range
1.0A Max.	100mΩ [Max.]	AC 500V	-35°C ~ 85°C

FPC/FFC Connectors

(Display, LED Power)

FFC 1.0 4p Angle

Applications | Mobile device, Display, PC

Product Specification

Ratings	Rated current	1.0A Max.	Operating temperature range	-35°C to +85°C	Storage temperature range	15°C to 35°C
	Rated voltage	40V r.m.s	Operating humidity range	85%RH 2	Storage humidity range	65%RH

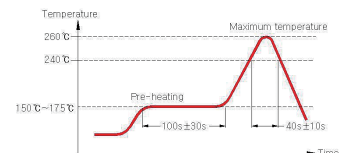
- 1) Including terminal temperature rise.
- 2) Storage area is to be free of corrosive gases and dew formation.

Applicable FFC Specification T=0.3±0.03mm

Items	Specifications	Conditions
1. Contact resistance	50mΩ Max. / contact	Closed circuit Current : 1mA. Opened circuit voltage : 20mV
2. Insulation resistance	100MΩ Min.	Test voltage : 500V D.C.
3. Withstanding voltage	No flashover or dielectric breakdown	AC 500V for 1minute
4. Insertion force	1.6Kgf Max.	Pull the FPC from a connector at a speed of 25mm/min and measured extraction force.
5. Withdrawal force	0.12kgf Min.	Pull the FPC(FFC) from a connector at a speed of 25mm/min and measured extraction force.
6. Vibration	No damage or mechanical defect Contact resistance : 40mΩ Max. / contact	Number of cycles : 10 cycles.
7. Shock	No damage or mechanical defect No interruption over 1μ sec. No FPC drop out Contact resistance : 40mΩ Max. / contact	Amplitude: 1.5mm Frequency: 10~55~10Hz Duration : X,Y,Z axis each 2 hours
8. Humidity	No damage or mechanical defect Contact resistance : 40mΩ Max. / contact Insulation Resistance : 100MΩ Min.	Temperature : 40°C±2°C Humidity : 90% ~ 95% Duration : 96hr

9. Solder heat resistance
- Visual inspection : Connector shall meet the design and dimensional requirements of each drawings.

Reflow condition.
(Refer to Reflow)



Materials / Finish

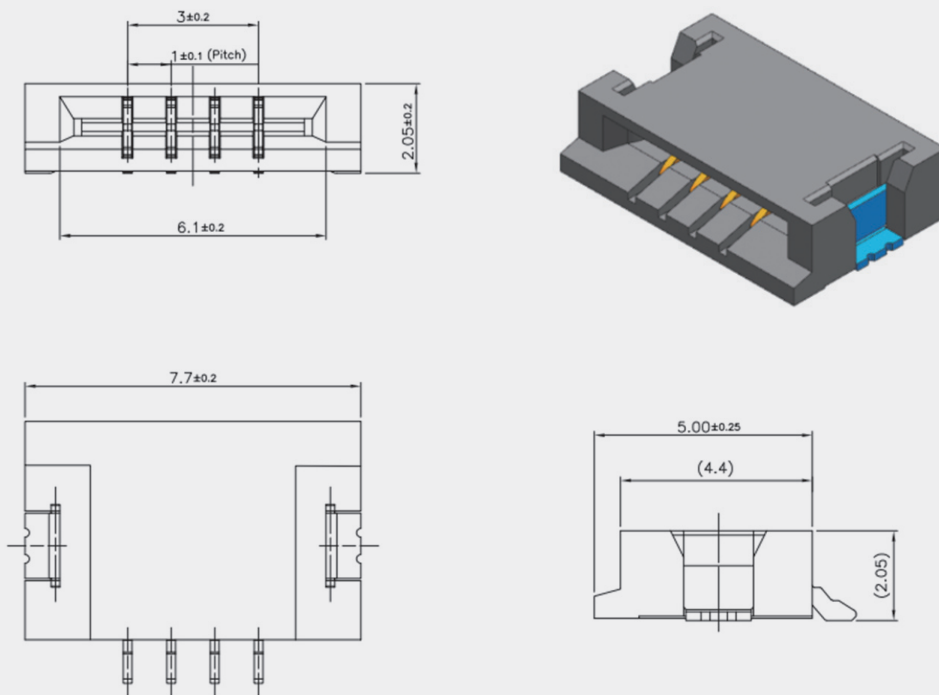
Part	Materials	Finish	UL Regulation
Base Insulation	LCP	Natural Color	UL94V-0
Contact Terminal	Phosphor Bronze	Au over Nickel	-
Fitting Nail	Brass	Sn over Nickel	-

FPC/FFC Connectors (Display, LED Power)

FFC 1.0 4p Angle

Applications | Mobile device, Display, PC

Product Drawing



Recommended PCB , Metal Mask Layout

