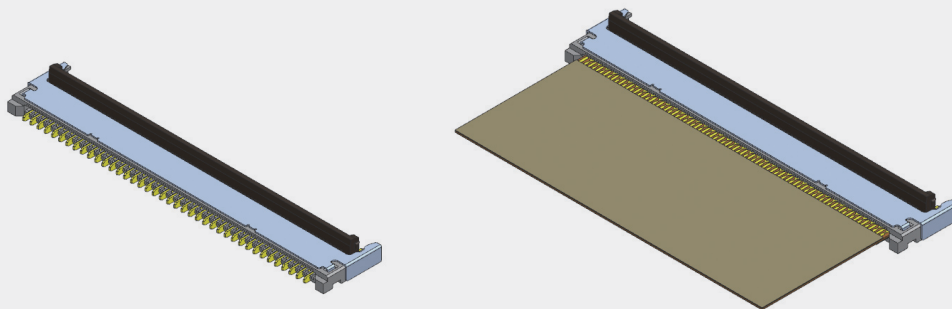


# FPC/FFC Connectors

## (Mobile)

# 2580S

**Applications** | Mobile phone, Display, Automotive, Smart watch, Medical equipment, Tablet PC



- ▶ 0.25mm Pitch, 1.06mm Height, Low and upper both contact
- ▶ Easy to Insert FPC and operate Actuator Back-lock system
- ▶ Both upper and lower contacts design accepts any FPC insertion directions.
- ▶ Improved robustness by attaching a metal shell.

## Code & Specification

Mating Size / Unit : (mm)

Product Code	Pitch (mm)	No. of Contacts	Width (mm)	Height (mm)	Length	Remark
PF025-B80B-C11	0.25	80	4.25	1.06	22.15	-

Rated Current	Contact Resistance	Withstanding voltage	Temperature Range
0.2A Max.	50mΩ Max.	200V AC(RMS)	-35°C ~ 85°C

# FPC/FFC Connectors (Mobile)

# 2580S

**Applications** | Mobile phone, Display, Automotive, Smart watch, Medical equipment, Tablet PC

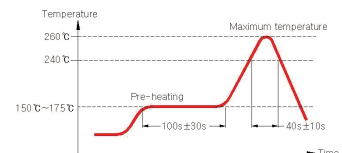
## Product Specification

Ratings	Rated current	0.2A Max	Operating temperature range	-35°C to +85°C	Storage temperature range	+15°C to +35 °C
	Rated voltage	50V r.m.s	Operating humidity range	85% RH 2	Storage humidity range	65% RH

- 1) Including terminal temperature rise.
- 2) Storage area is to be free of corrosive gases and dew formation.

**Applicable FPC Specification** T=0.14±0.02mm, Gold Plated

Items	Specifications	Conditions
1. Contact resistance	50mΩ Max. / contact	Closed circuit Current : 0.5mA. Open circuit voltage : 20mV Max.
2. Insulation resistance	50MΩ Min. / contact	Test voltage : 250V D.C.
3. Withstanding voltage	No flashover or dielectric breakdown	AC 200V for 1minute
4. Actuator operation forces	2.4kgf Max.	Push the Actuator Open/ Close direction at a speed of 25mm/min and measured Actuator operation force.
5. FPC retention force	1.2kgf Min.	Pull the FPC from a connector at a speed of 25mm/min and measured extraction force.
6. Durability	No damage or mechanical defect Contact resistance : 50mΩ Max. / contact	Number of cycles : 10 cycles.
7. Vibration	No damage or mechanical defect No interruption over 1μ sec. No FPC drop out Contact resistance : 50mΩ Max. / contact	Amplitude: 1.5mm Acceleration: 15% Frequency: 10~55Hz Duration : X,Y,Z axis each 30minutes.
8. Humidity	No damage or mechanical defect Contact resistance : 100mΩ Max. / contact Insulation Resistance : 50MΩ Min.	- Temperature : 40°C±2°C - Relative humidity : 90% RH to 95% RH - Duration : 96hr
9. Solder heat resistance	No loose contacts no deformation.	Reflow condition. (Refer to Reflow)



## Materials / Finish

Part	Materials	Finish	UL Regulation
Base	PA	Black	UL94V-0
Actuator	PPS	Black	UL94V-0
Contact Terminal	Phosphor Bronze	Au over Nickel	-
Cover	Phosphor Bronze	Au over Nickel	-

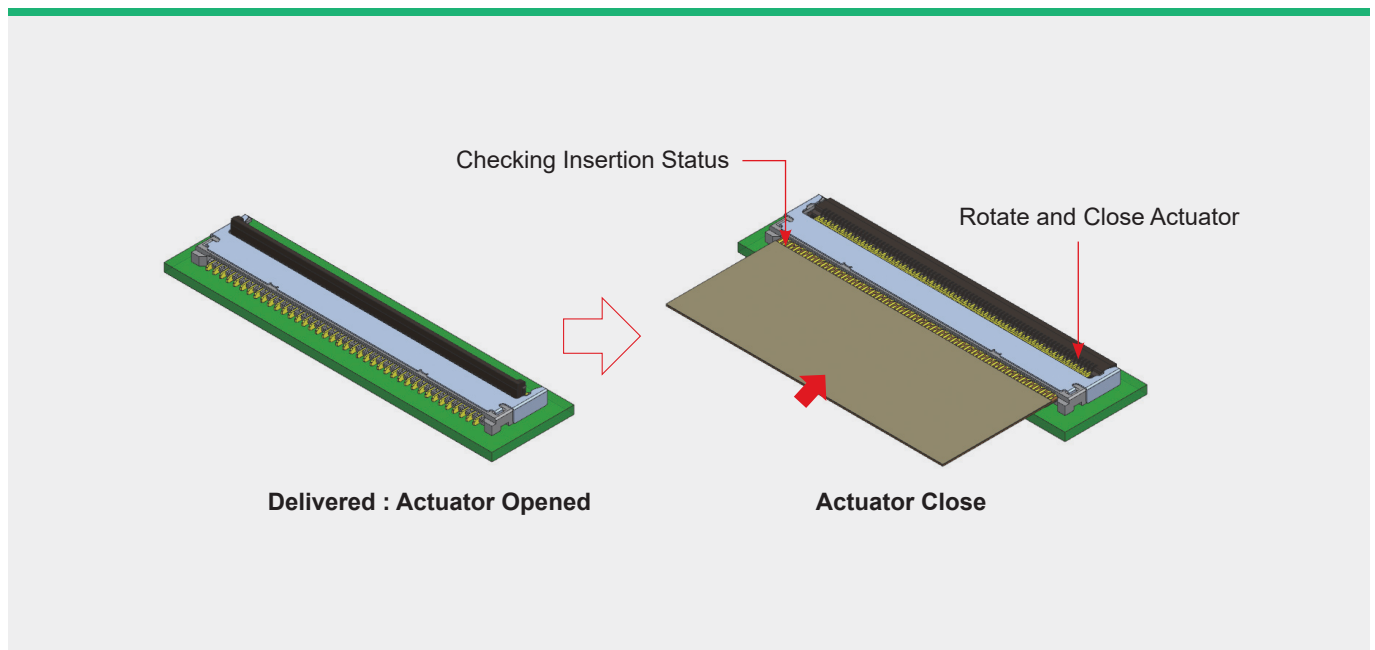
# FPC/FFC Connectors (Mobile)

**2580S**

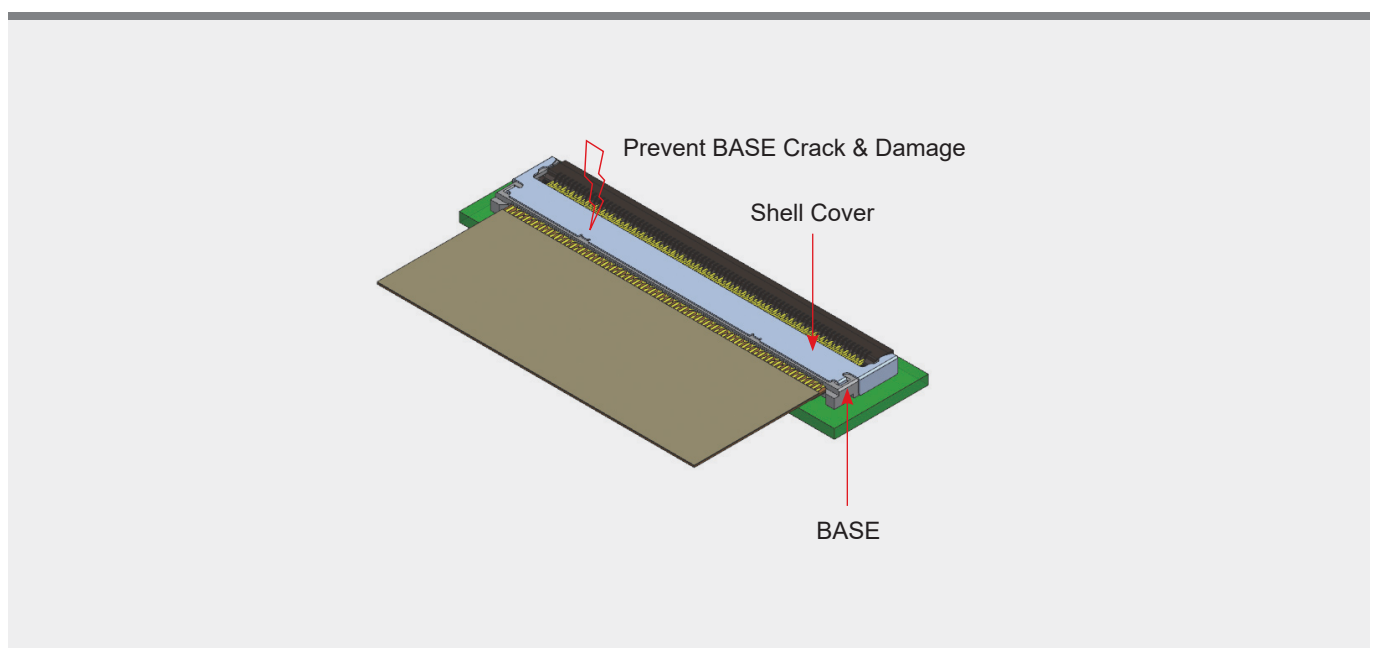
**Applications** | Mobile phone, Display, Automotive, Smart watch, Medical equipment, Tablet PC

## FEATURES AND ADVANTAGES

- ▶ **Easy to Insert FPC and operate Actuator close**  
Both Upper and Lower contact, Back Lock System



- ▶ **Design to strengthen against damage**  
Reinforced Shell Cover Prevents the Base is Damaged

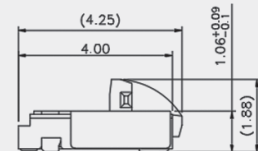
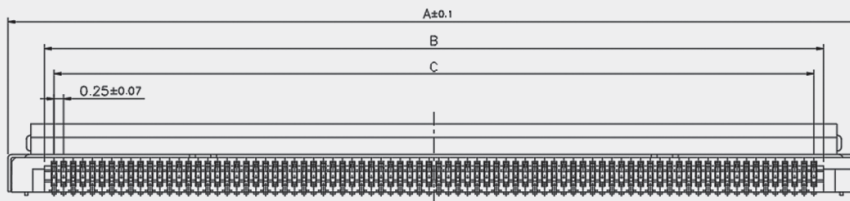
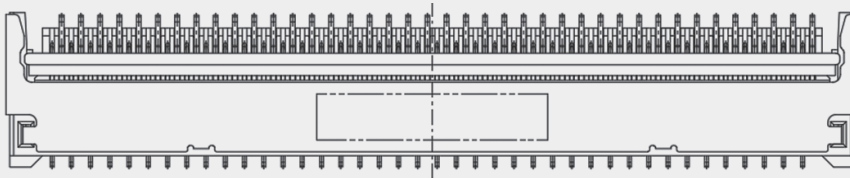
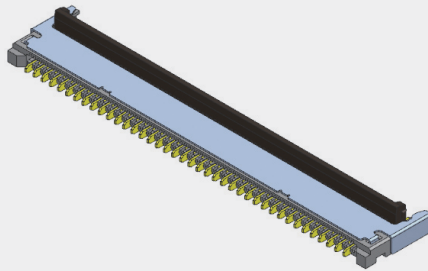


# FPC/FFC Connectors (Mobile)

**2580S**

**Applications** | Mobile phone, Display, Automotive, Smart watch, Medical equipment, Tablet PC

## Product Drawing



Mating Size / Unit : (mm)

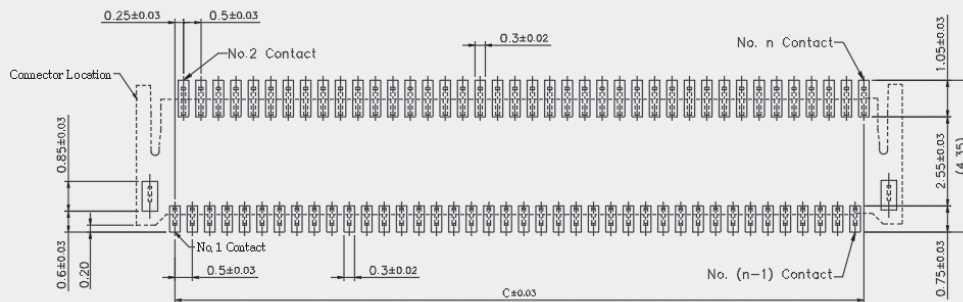
Product No.	No. of Contacts	A	B	C
PF025-B80B-C11	80	22.15	20.25	19.75

# FPC/FFC Connectors (Mobile)

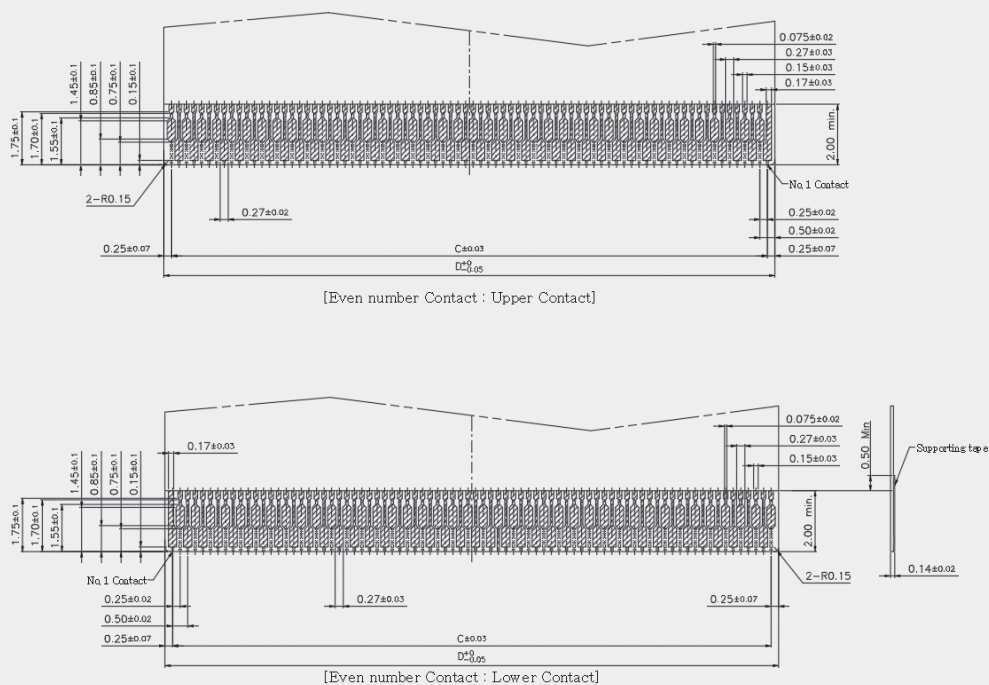
**2580S**

**Applications** | Mobile phone, Display, Automotive, Smart watch, Medical equipment, Tablet PC

## Recommended PCB Layout, Metal Mask dimensions



## Recommended PCB Layout, Metal Mask dimensions



Mating Size / Unit : (mm)

Product No.	No. of Contacts	C	D
PF025-B80B-C11	80	19.75	20.25