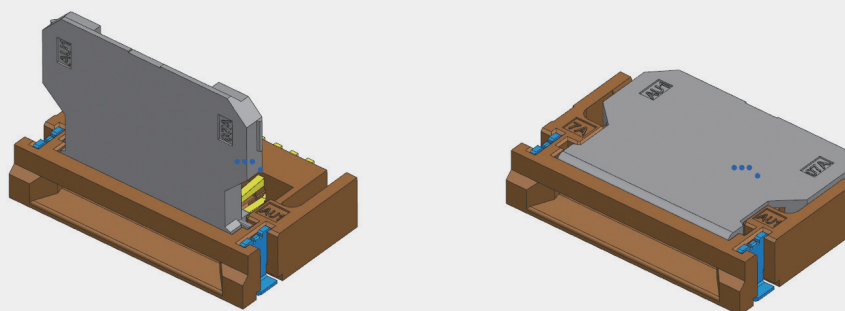


FPC/FFC Connectors

(Mobile)

007A

Applications | Mobile phone, Display, Automotive, Smart watch, Medical equipment, Tablet PC



- ▶ 0.50mm Pitch, 1.50mm Height, compact design
- ▶ Easy to Insert FPC and operate Actuator Back-lock system
- ▶ High FPC Retention force with Actuator locking boss
- ▶ Capable of High Current up to 1A with Contact Terminal
- ▶ Applicable for FPC thickness is 0.3±0.03mm

Code & Specification

Mating Size / Unit : (mm)

Product Code	Pitch (mm)	No. of Contacts	Width (mm)	Height (mm)	Length	Remark
PF050-B07B-C15-B	0.50	7	5.30	1.50	7.30	-

Rated Current	Contact Resistance	Withstanding voltage	Temperature Range
1.0A Max.	50mΩ Max.	200V AC(RMS)	-35°C ~ 85°C

FPC/FFC Connectors (Mobile)

007A

Applications | Mobile phone, Display, Automotive, Smart watch, Medical equipment, Tablet PC

Product Specification

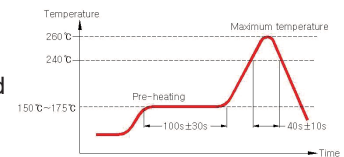
Ratings	Rated current	1.0A Max	Operating temperature range	-35°C to +85°C	Storage temperature range	+15°C to +35 °C
	Rated voltage	50V AC(RMS)/DC	Operating humidity range	70% RH 2	Storage humidity range	65% RH

1) Including terminal temperature rise.

2) Storage area is to be free of corrosive gases and dew formation.

Applicable FPC Specification T=0.30±0.03mm, Gold Plated

Items	Specifications	Conditions
1. Contact resistance	50mΩ Max.	Closed circuit Current : 1mA. Open circuit voltage : 20mV Max.
2. Insulation resistance	1,000MΩ Min.	Test voltage : 500V D.C.
3. Withstanding voltage	No flashover or dielectric breakdown	200V AC for 1minute
4. FPC retention force	0.5kgf Min.	Pull the FPC from a connector at a speed of 25mm/min and measured extraction force.
5. Durability	Contact resistance : 100mΩ Max.	Repeated insertion and separation cycles of Max. 30 times
6. Vibration	1) Discontinuity : 1μs Max. 2) No damage, loose part nor crack 3) Contact resistance : 100mΩ Max	- Frequency : 10-55-10Hz/Min. - Peak amplitude : 1.5mm - Test current : DC 100mA - Test direction : 3 axial (X,Y,Z) - Duration : 2h each (6h in total)
7. Shock	1) Discontinuity : 1μs Max. 2) No damage, loose part nor crack	- Peak acceleration : 490m/s ² (50G) - Half sine wave : (Duration : 11ms) - Direction : 3direction (X,Y,Z) - Number : 3times per each direction - Test current : 100mA
8. Humidity	1) Contact resistance : 100mΩ Max. 2) No damage, loose part nor Crack 3) Insulation Resistance : 100MΩ Min.	- Temperature : 40°C±2°C - Relative humidity : 90% RH to 95% RH - Duration : 96hr
9. Solder heat resistance	Visual inspection : Connector shall meet the design and dimensional requirements of each drawings.	Reflow : Refer to the recommended reflow condition.



Materials / Finish

Part	Materials	Finish	UL Regulation
Base	LCP	Natural	UL94V-0
Actuator	LCP	Black	UL94V-0
Contact Terminal	Copper Alloy	Au over Nickel	-
Signal Pin	Copper Alloy	Au over Nickel	-
Fitting Nail	Brass	Sn over Nickel	-

FPC/FFC Connectors (Mobile)

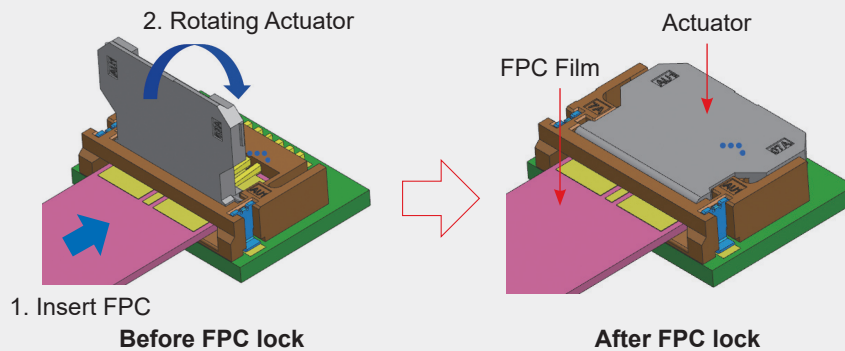
007A

Applications | Mobile phone, Display, Automotive, Smart watch, Medical equipment, Tablet PC

FEATURES AND ADVANTAGES

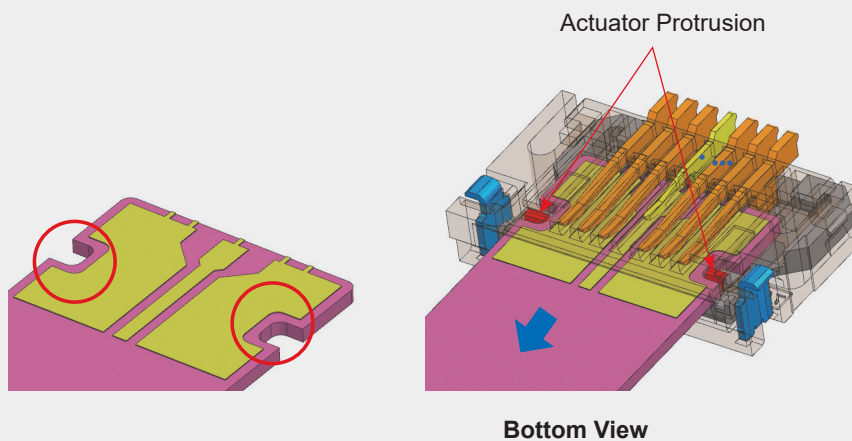
- ▶ **Easy to Insert FPC and operate to Actuator back lock.**

Actuator rotating opposite direction against FPC insertion. (Back flip)



- ▶ **FPC side Locking structure design**

When forcibly taking out FPC, Protrusion Locker help Increasing retention of FPC

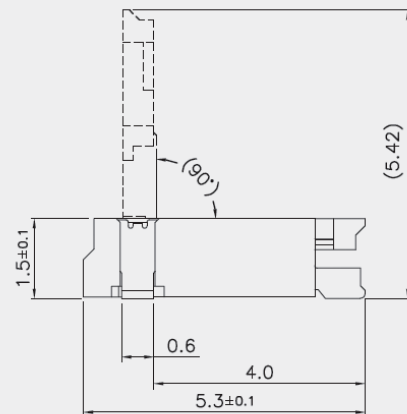
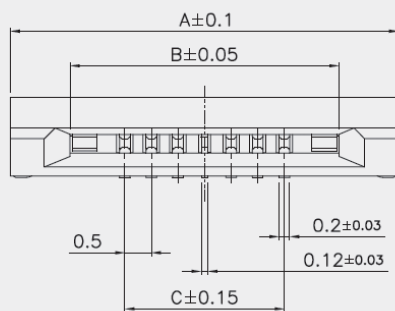
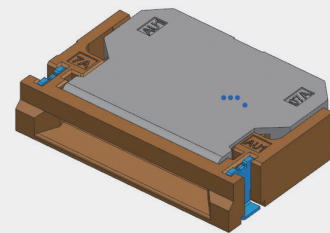
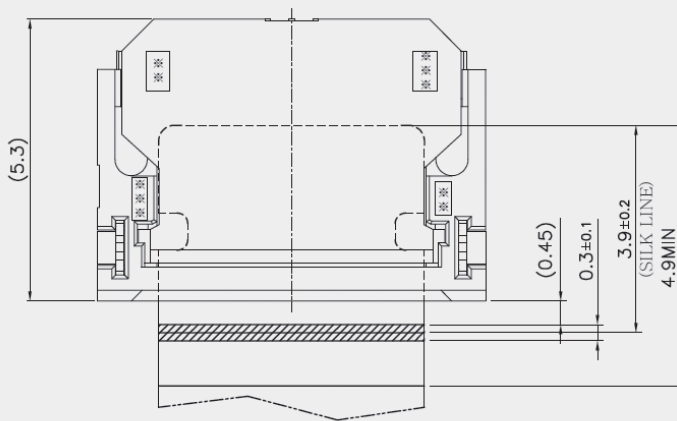


FPC/FFC Connectors (Mobile)

007A

Applications | Mobile phone, Display, Automotive, Smart watch, Medical equipment, Tablet PC

Product Drawing



Mating Size / Unit : (mm)

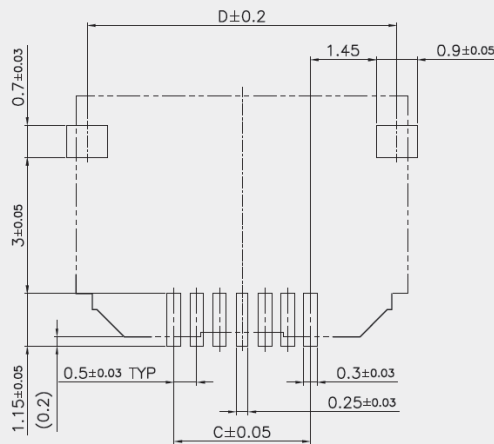
Product No.	No. of Contacts	A	B	C
PF050-B07B-C15-B	7	7.30	5.06	3.00

FPC/FFC Connectors (Mobile)

007A

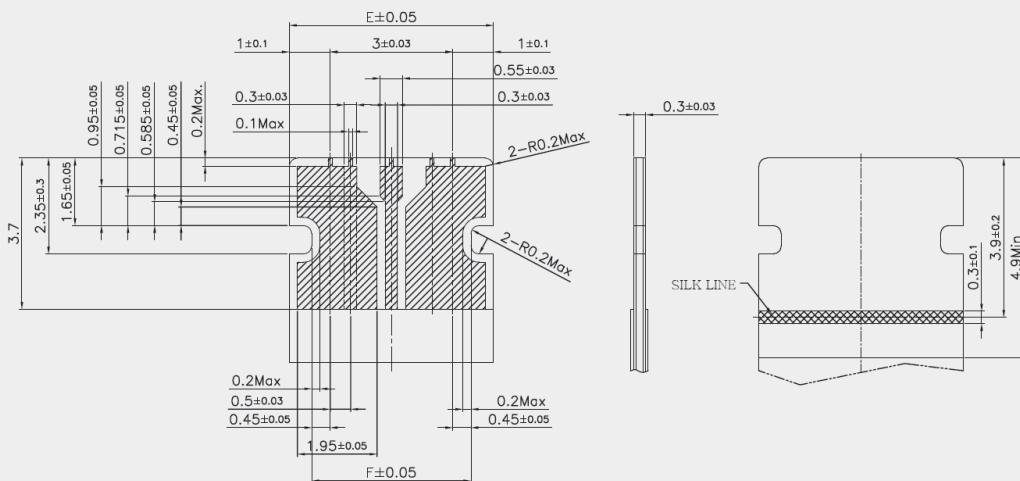
Applications | Mobile phone, Display, Automotive, Smart watch, Medical equipment, Tablet PC

Recommended PCB Layout, Metal Mask dimensions



Recommended P.C.B DIMENSION
【MASK (Thickness : 0.10mm)】

Recommended FPC Dimensions



Mating Size / Unit : (mm)

Product No.	No. of Contacts	C	D	E	F
PF050-B07B-C15-B	7	3.00	6.80	5.00	3.90