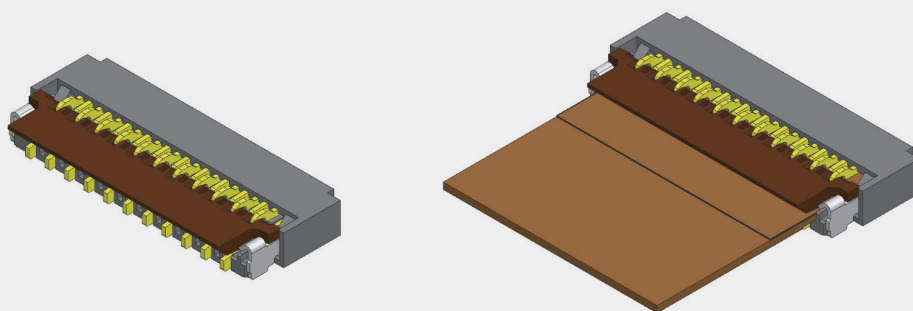


FPC/FFC Connectors (Mobile)

0.3 F/F Long

Applications | Mobile phone, Display, Automotive, Smart watch, Medical equipment, Tablet PC



- ▶ 0.3mm Pitch, 1.0mm Height, Low-contact, Right Angle Type
- ▶ Easy FPC Insertion (ZIF)
- ▶ Applicable for FPC thickness is 0.20±0.03mm

Code & Specification

Mating Size / Unit : (mm)

Product Code	Pitch (mm)	No. of Contacts	Width (mm)	Height (mm)	Length	Remark
PF030-O13B-C09-H	0.30	13	3.45	1.00	5.40	-
PF030-O31B-C09-H	0.30	31	3.45	1.00	10.80	-
PF030-O61B-C09-H	0.30	61	3.45	1.00	19.80	-

Rated Current	Contact Resistance	Withstanding voltage	Temperature Range
0.2A Max.	100mΩ Max.	200V AC(RMS)	-35°C ~ 85°C

FPC/FFC Connectors (Mobile)

0.3 F/F Long

Applications | Mobile phone, Display, Automotive, Smart watch, Medical equipment, Tablet PC

Product Specification

Ratings	Rated current	0.2A Max	Operating temperature range	-35°C to +85°C	Storage temperature range	+15°C to +35 °C
	Rated voltage	30V r.m.s	Operating humidity range	85% RH 2	Storage humidity range	65% RH

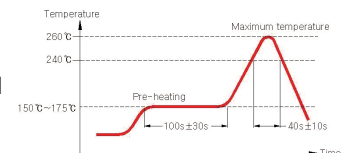
- 1) Including terminal temperature rise.
- 2) Storage area is to be free of corrosive gases and dew formation.

Applicable FPC Specification T=0.20±0.03mm, Gold Plated

Items	Specifications	Conditions
1. Contact resistance	100mΩ Max. / contact	Closed circuit Current : 1mA. Open circuit voltage : 20mV Max.
2. Insulation resistance	50MΩ Min. / contact	Test voltage : 500V D.C.
3. Withstanding voltage	No flashover or dielectric breakdown	AC 200V for 1minute
4. Actuator operation forces	0.003kgf x (N) Min. (N)=pins	Push the Actuator Open/ Close direction at a speed of 25mm/min and measured Actuator operation force.
5. FPC retention force	0.02kgf x (N) Min. (N)=pins	Pull the FPC from a connector at a speed of 25mm/min and measured extraction force.
6. Durability	No damage or mechanical defect Contact resistance : 100mΩ Max. / contact	Number of cycles : 10 cycles.
7. Vibration	No damage or mechanical defect No interruption over 1μ sec. No FPC drop out Contact resistance : 100mΩ Max. / contact	Amplitude: 1.5mm Frequency: 10~500Hz Duration : X,Y,Z axis each 30minutes.
8. Humidity	No damage or mechanical defect Contact resistance : 100mΩ Max. / contact Insulation Resistance : 50MΩ Min.	- Temperature : 40°C±2°C - Relative humidity : 90% RH to 95% RH - Duration : 96hr

9. Solder heat resistance
- Visual inspection : Connector shall meet the design and dimensional requirements of each drawings.

Reflow : Refer to the recommended reflow condition.



Materials / Finish

Part	Materials	Finish	UL Regulation
Base	LCP	Black	UL94V-0
Actuator	PA	Brown	UL94HB
Contact Terminal	Phosphor Bronze	Au over Nickel	-
Fitting Nail	Phosphor Bronze	Sn	-

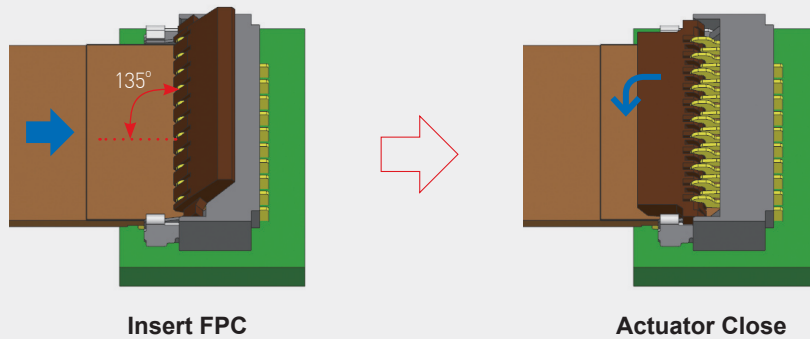
FPC/FFC Connectors (Mobile)

0.3 F/F Long

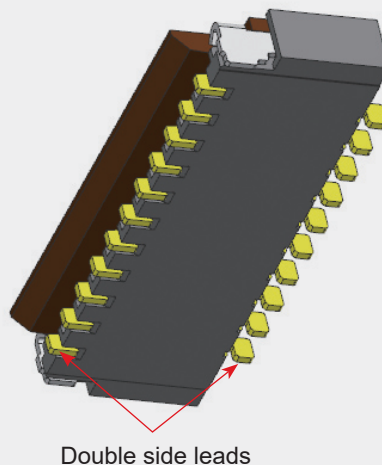
Applications | Mobile phone, Display, Automotive, Smart watch, Medical equipment, Tablet PC

FEATURES AND ADVANTAGES

- ▶ **Superior Operability with Flip Lock and ZIF mechanism**
Both Upper and Lower contact, Back Lock System



- ▶ **Double side leads enhances Solder peeling Strength**

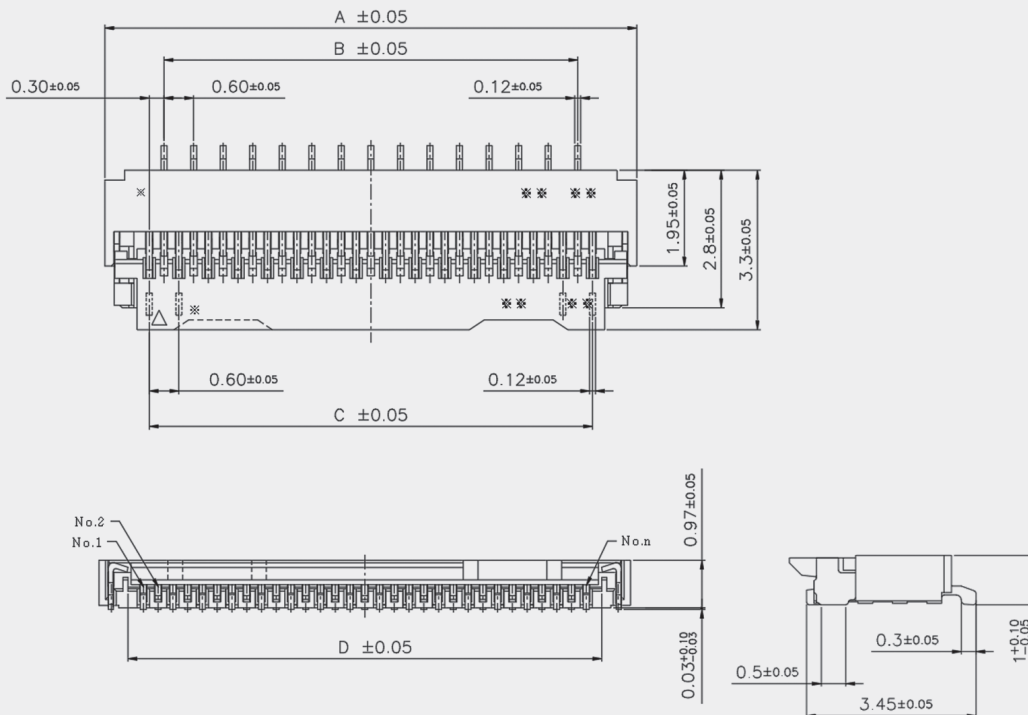
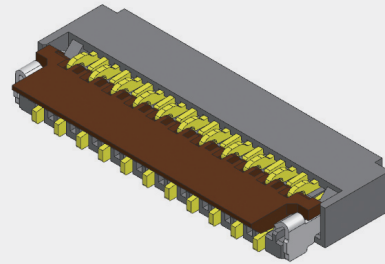


FPC/FFC Connectors (Mobile)

0.3 F/F Long

Applications | Mobile phone, Display, Automotive, Smart watch, Medical equipment, Tablet PC

Product Drawing



Mating Size / Unit : (mm)

Product No.	No. of Contacts	A	B	C	D
PF030-O13B-C09-H	13	5.40	3.00	3.60	4.23
PF030-O31B-C09-H	31	10.80	8.40	9.00	9.63
PF030-O61B-C09-H	61	19.80	17.40	18.00	18.63

