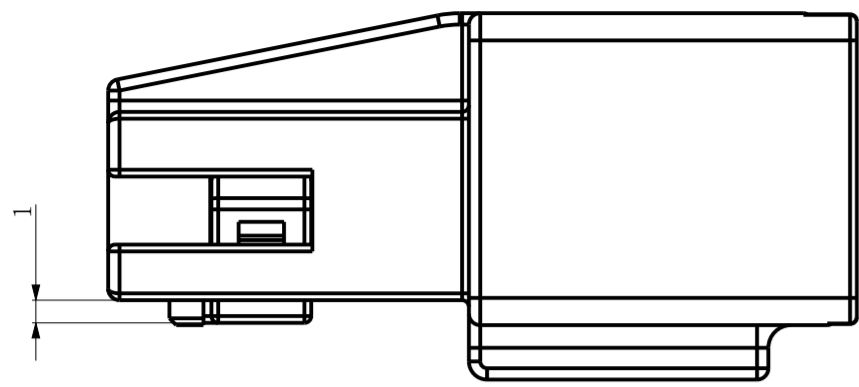
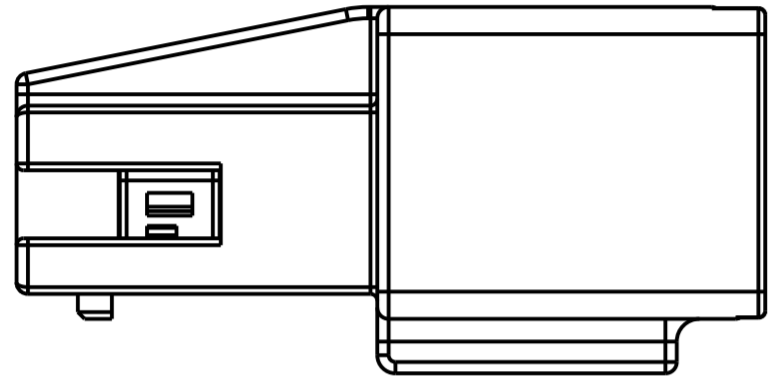


REV	REVISION RECORD	DATE	DRWN	CHKD	APVD
1	ENGINEERING CONTROLLED (RD-2021-015)	02FEB'21	JH	KH	CY
2	RD-2021-114	16JUL'21	JH	KH	CY

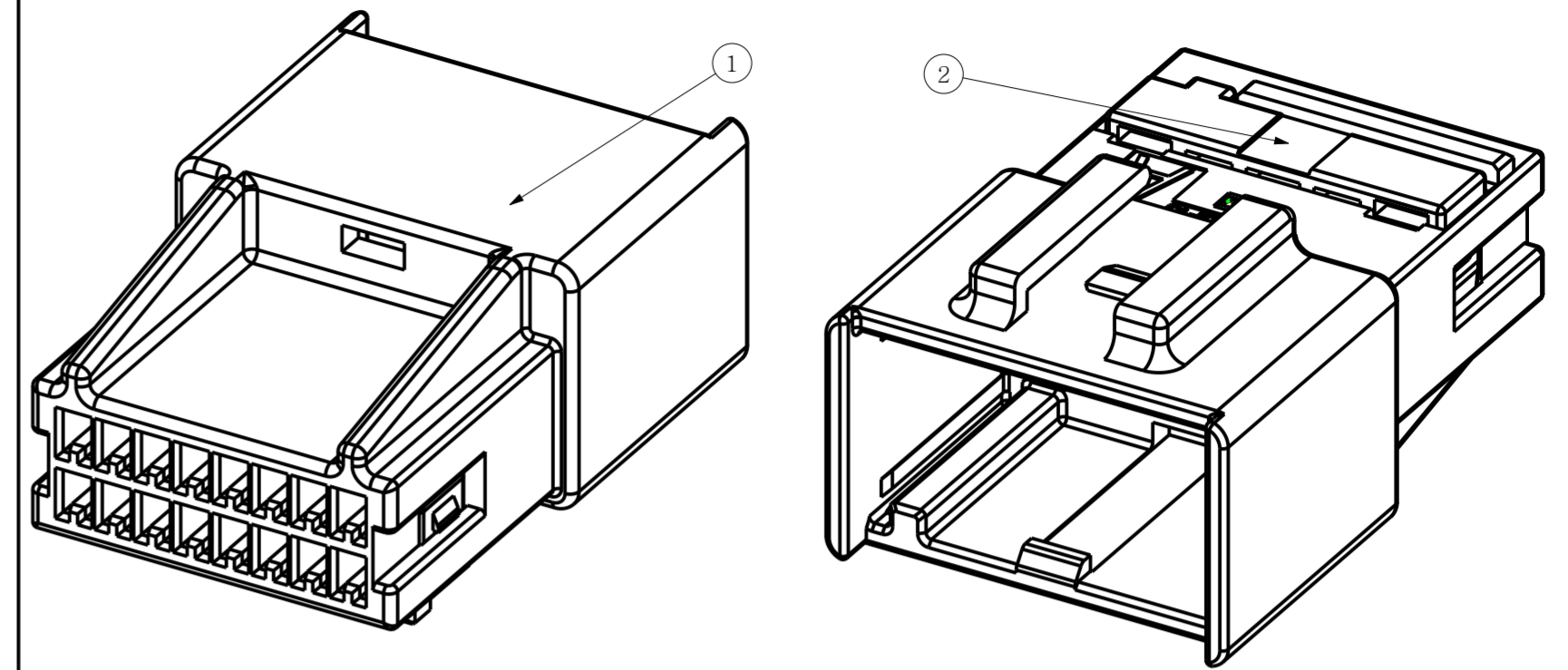
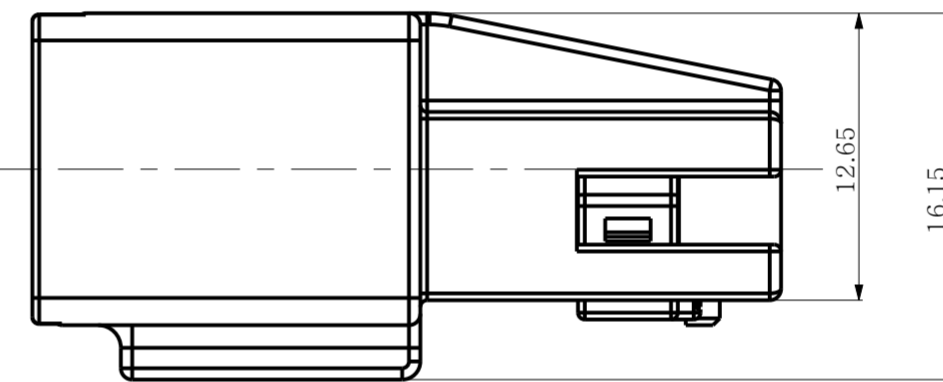
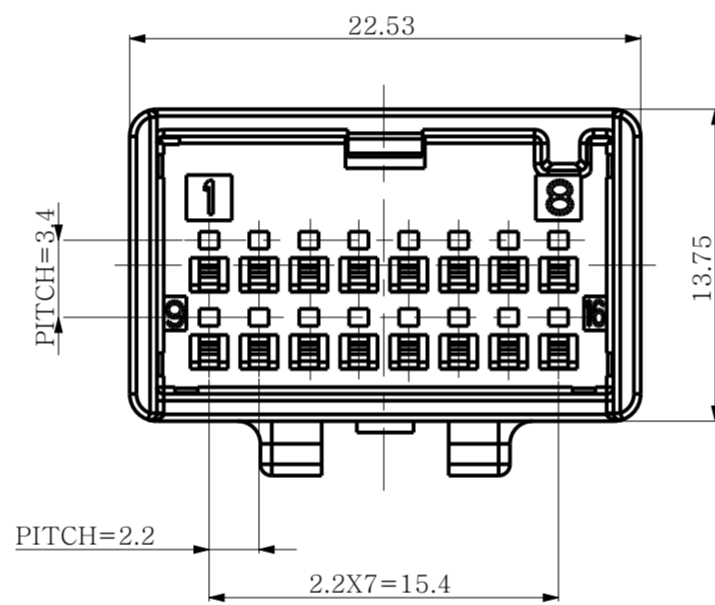
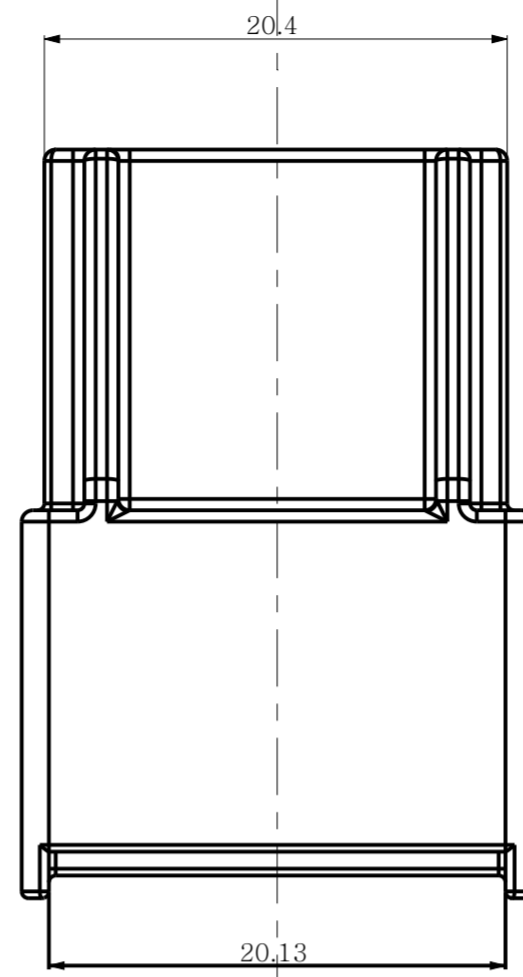
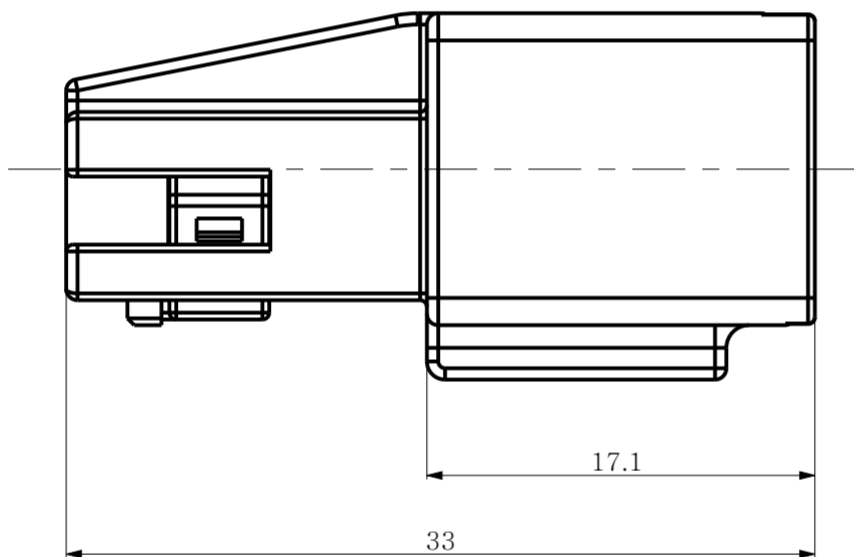
TPA LOCKING POSITION



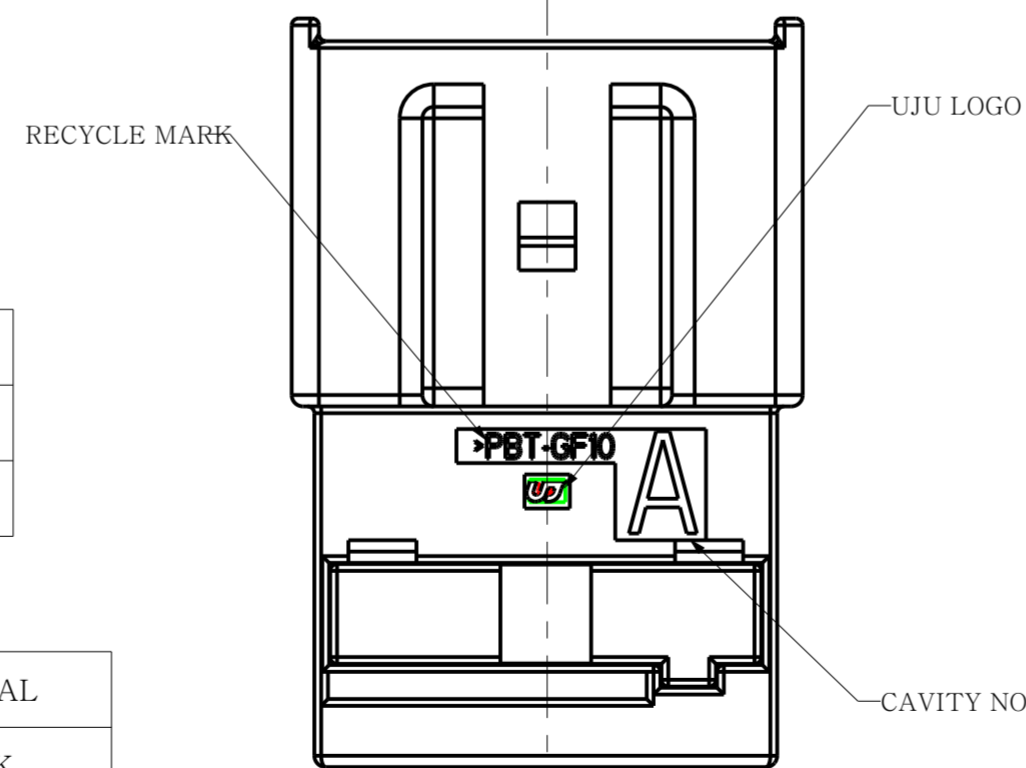
1st LOCK POSITION
(DELIVERY SHAPE FOR CUSTOMER)



2nd LOCK POSITION



ISO VIEW
(SCALE 3:1)



- NOTE
1. GENERAL TOLERANCE : SEE TABLE TOLERANCE
 2. DELIVERY CONDITION : TPA FIRST LOCK POSITION
 3. HSG DESCRIPTION : SEE TABLE-1
 4. APPLICABLE RECEPTACLE TERMINAL : TABLE-2
 5. REFERENCE MATING CONNECTOR IS KH2000022

TOLERANCE								
10MAX	30MAX	50MAX	70MAX	100MAX	120MAX	250MAX	250VR	ANGLE
±0.15	±0.20	±0.30	±0.40	±0.50	±0.75	±0.9	±1.4	±0.5°

TABLE-1

DESCRIPTION	PART NO.	CODE	MATERIAL	FINISH/COLOR
025_IL16M_ASSY	KH2000091-10	A	PBT GF10	NATURAL
	KH2000091-20	B		BLACK

TABLE-2

DESCRIPTION	PART NO.	WIRE RANGE	MATERIAL	FINISH
025_IL_MALE_TERMINAL(M)	KH2000017-21	0.3 ~ 0.5 SQ	COPPER ALLOY	PRE-TIN

NO.	DESCRIPTION	PART NO.	CODE	MATERIAL	FINISH/COLOR	Q'TY	Q'TY
2	025_IL16M_TPA	KM2000093-30	-	PBT-GF10	GRAY	1	1
1	025_IL16M_HSG	KM2000092-20	B	PBT-GF10	BLACK	1	-
		KM2000092-10	A		NATURAL	-	1

TOLERANCES UNLESS OTHERWISE SPECIFIED	0	±	UNIT MM	THIRD ANGLE PROJECTION	DRWN	JH.RYU	(주)우주일렉트로닉스 UJU Electronics co.,Ltd.			
	0.0	±			CHKD	KH.PARK				
	0.00	±			APVD	CY.CHOI				
0.000	±		MATERIAL	SEE TABLE-1	NAME			025_IL16M_ASSY		
0.000	±				FINISH/COLOR	SEE TABLE-1	CUSTOMER	DRAWING NO	KH2000091	
ANGLES	±	PRODUCT SPEC	APPLICATION SPEC	WEIGHT	LOC	RESTRICTED TO	SIZE	SCALE	SHEET	REV
							A2	3:1	1 OF 1	2