

TPA LOCKING POSITION

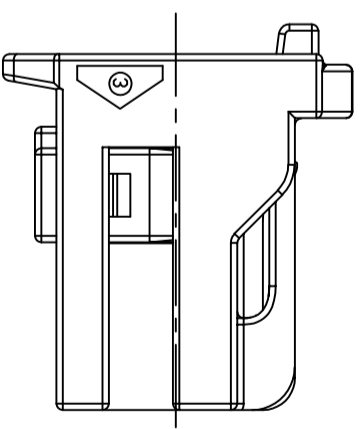
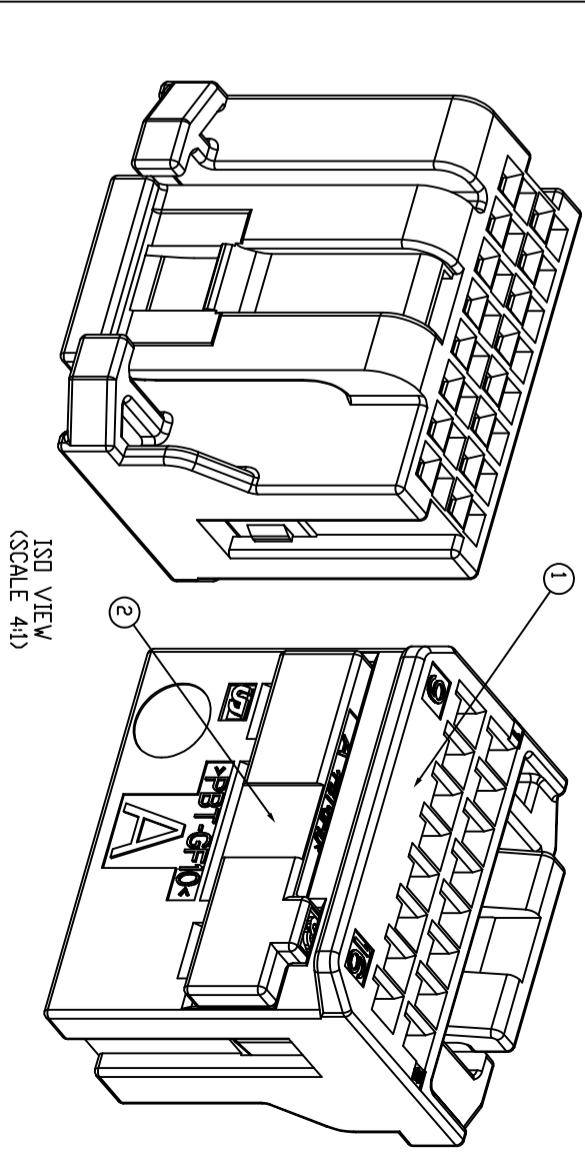
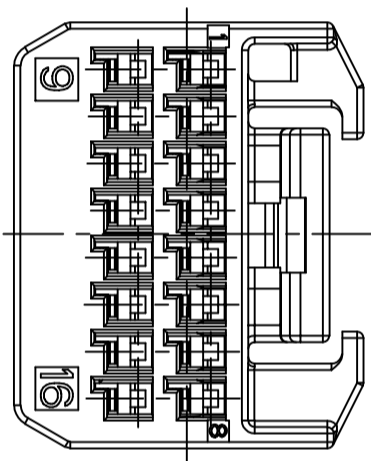
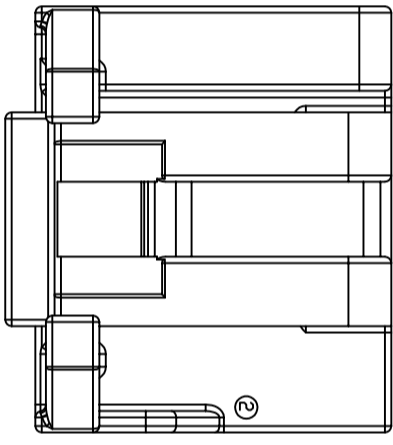
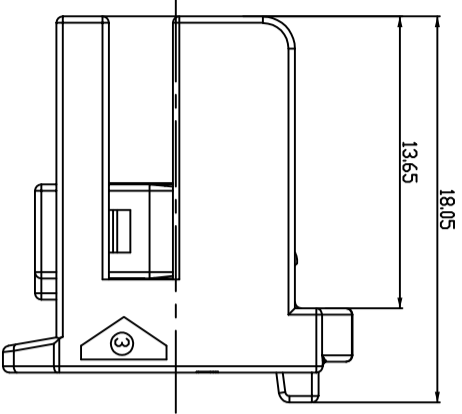
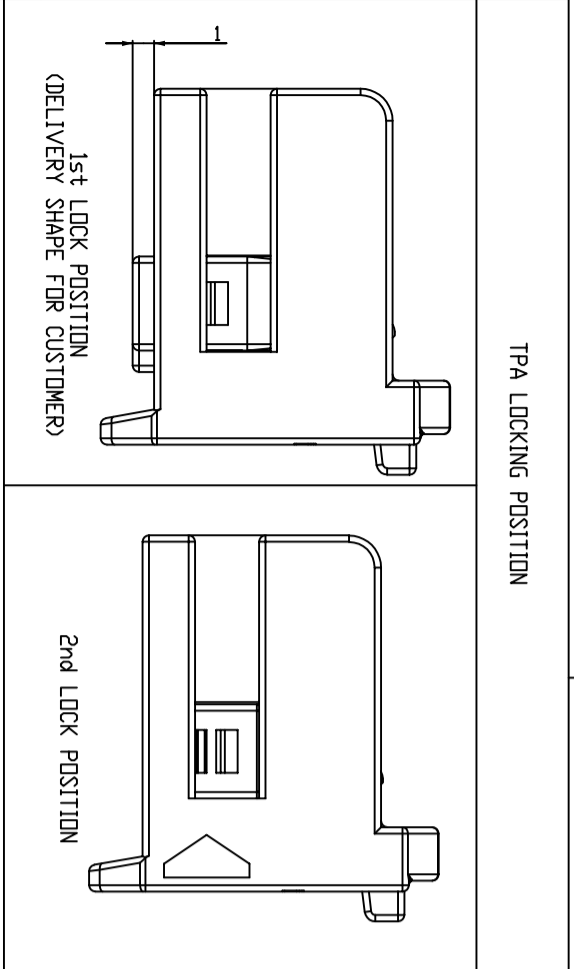


TABLE-1

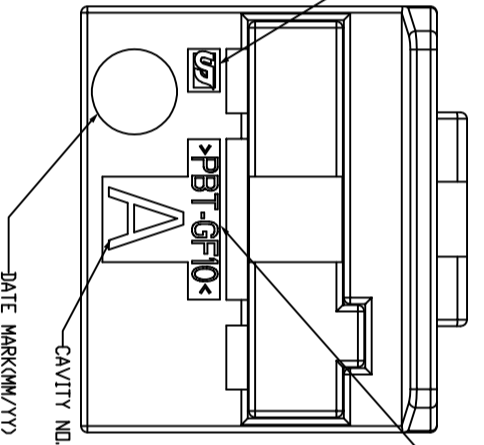
TOLERANCE									
10MAX	30MAX	50MAX	70MAX	100MAX	120MAX	250MAX	250VR	250VR	ANGLE
±0.15	±0.20	±0.30	±0.40	±0.50	±0.75	±0.9	±1.4	±0.5°	

TABLE-2

DESCRIPTION	PART NO.	CODE	MATERIAL	FINISH/COLOR	
				NATURAL	BLACK
025_II_16F_ASSY	KH2000088-10	A	PBT-GF10		
	KH2000088-20	B	PBT-GF10		

TABLE-2

DESCRIPTION	PART NO.	WIRE RANGE	MATERIAL	FINISH
025_II_FEMALE_TERMINAL(M)	KH2000016-21	0.3 ~ 0.5 SQ	COPPER ALLOY	PRE-TIN



- NOTE
1. GENERAL TOLERANCE : SEE TABLE TOLERANCE
  2. DELIVERY CONDITION : TPA FIRST LOCK POSITION
  3. HSG DESCRIPTION : SEE TABLE-1
  4. APPLICABLE RECEPTACLE TERMINAL : TABLE-2
  5. REFERENCE MATING CONNECTOR IS KH2000091

NO.	DESCRIPTION	PART NO.	CODE	MATERIAL	FINISH/COLOR	Q'TY	Q'TY
2	025_II_16F_TPA	KH2000090-70	-	PBT-GF10	GREEN	1	1
1	025_II_16F_HSG	KH2000089-20	B	PBT-GF10	BLACK	1	-
		KH2000089-10	A	PBT-GF10	NATURAL	-	1

ASSY DESCRIPTION	ASSY PART NO.	CODE
025_II_16F_ASSY/B CODE	KH2000088-20	B
025_II_16F_ASSY/A CODE	KH2000088-10	A

REV	REVISION RECORD	DATE	DRWN/CHKD	APVD
1	ENGINEERING CONTROLLED (RD-2021-015)	08FEB21	JH KH	CY
2	EC NO (RD-2021-114)	28JUL21	JH KH	CY
3	EC NO (RD-2022-085)	29JUN22	JH SJ	CY

TOLERANCES UNLESS OTHERWISE SPECIFIED

0.0	±
0.05	±
0.1	±
0.2	±
0.3	±
0.5	±
1.0	±
2.0	±
3.0	±
4.0	±
5.0	±
6.0	±
8.0	±
10.0	±
12.0	±
15.0	±
20.0	±
25.0	±
30.0	±
40.0	±
50.0	±
60.0	±
80.0	±
100.0	±
120.0	±
150.0	±
200.0	±
250.0	±
300.0	±
400.0	±
500.0	±
600.0	±
800.0	±
1000.0	±

THIRD ANGLE PROJECTION

UNIT: MM

FINISH/COLOR: SEE TABLE-1

WEIGHT: SEE TABLE-1

DRWN: JHR YU

CHKD: KHPARK

APVD: KHPARK

NAME: 025\_II\_16F\_ASSY

CUSTOMER: UJU Electronics co.,Ltd.

DRAWING NO: KH2000088

SIZE: A2

SCALE: 4:1

SHEET: 1 OF 1

REV: 3