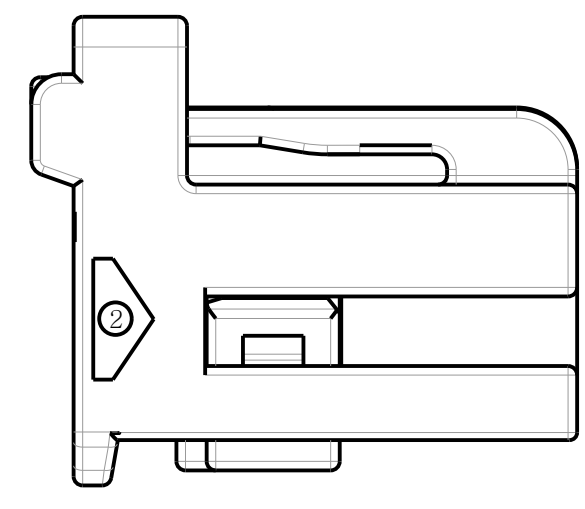
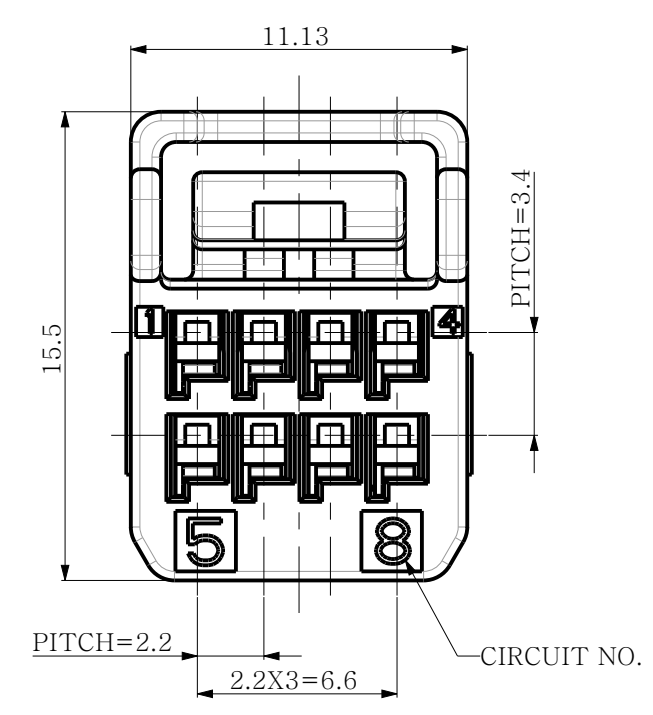
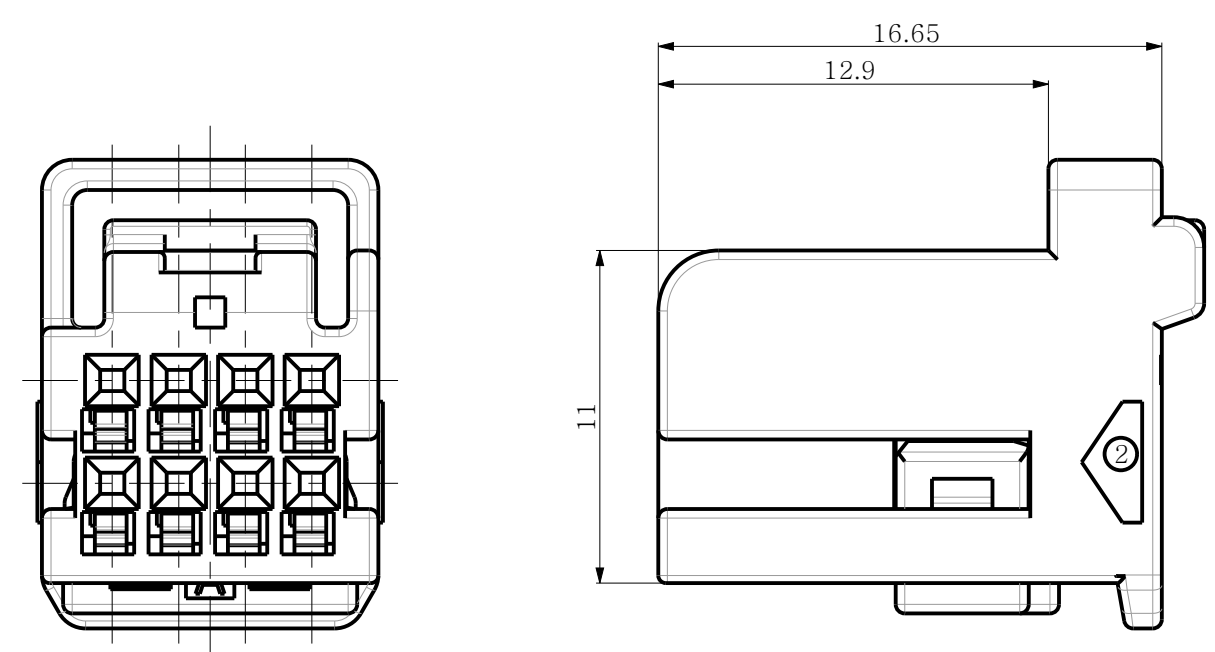
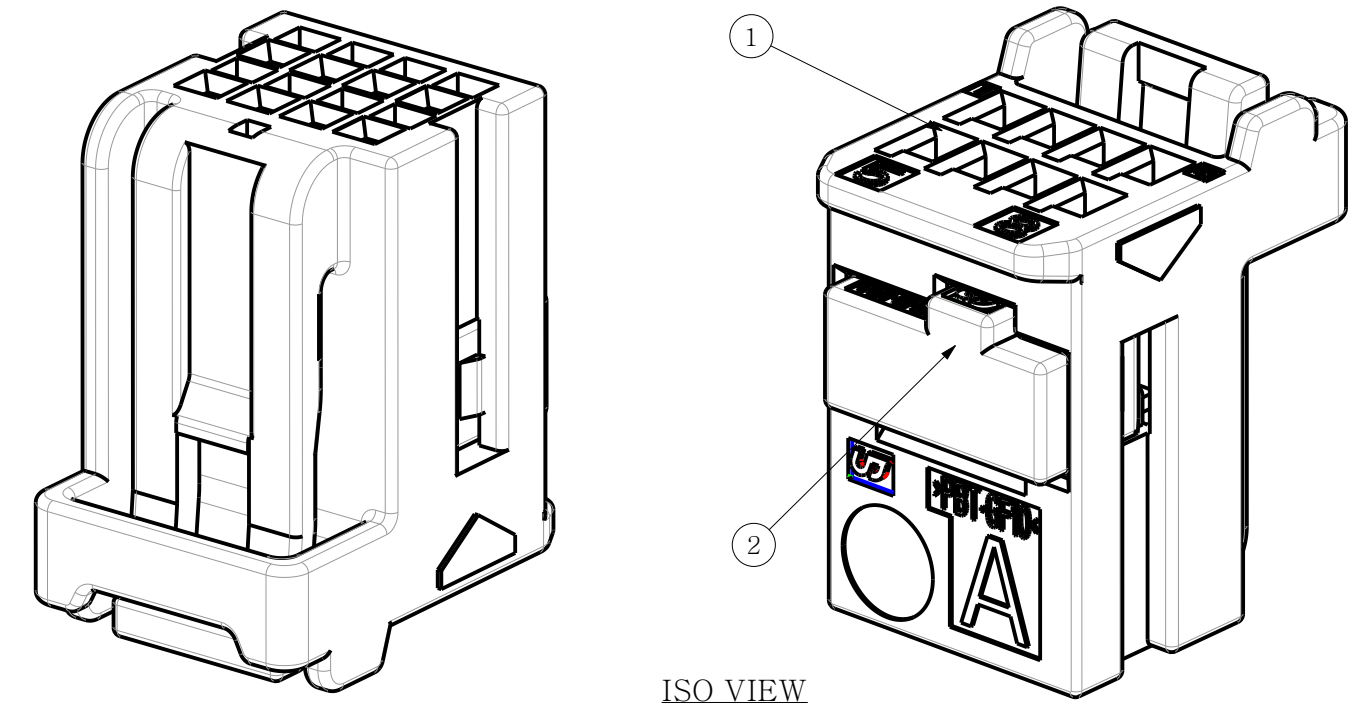
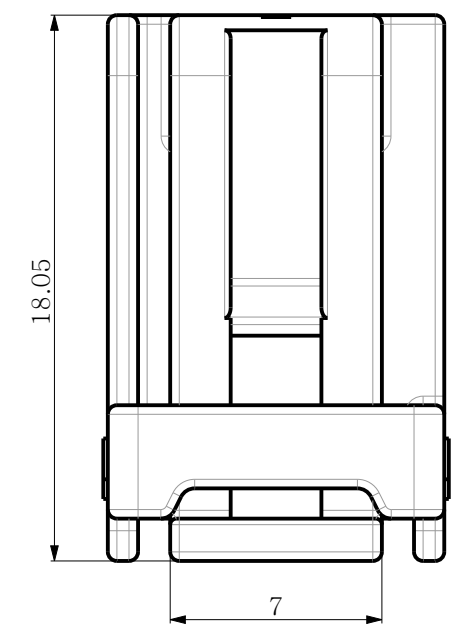
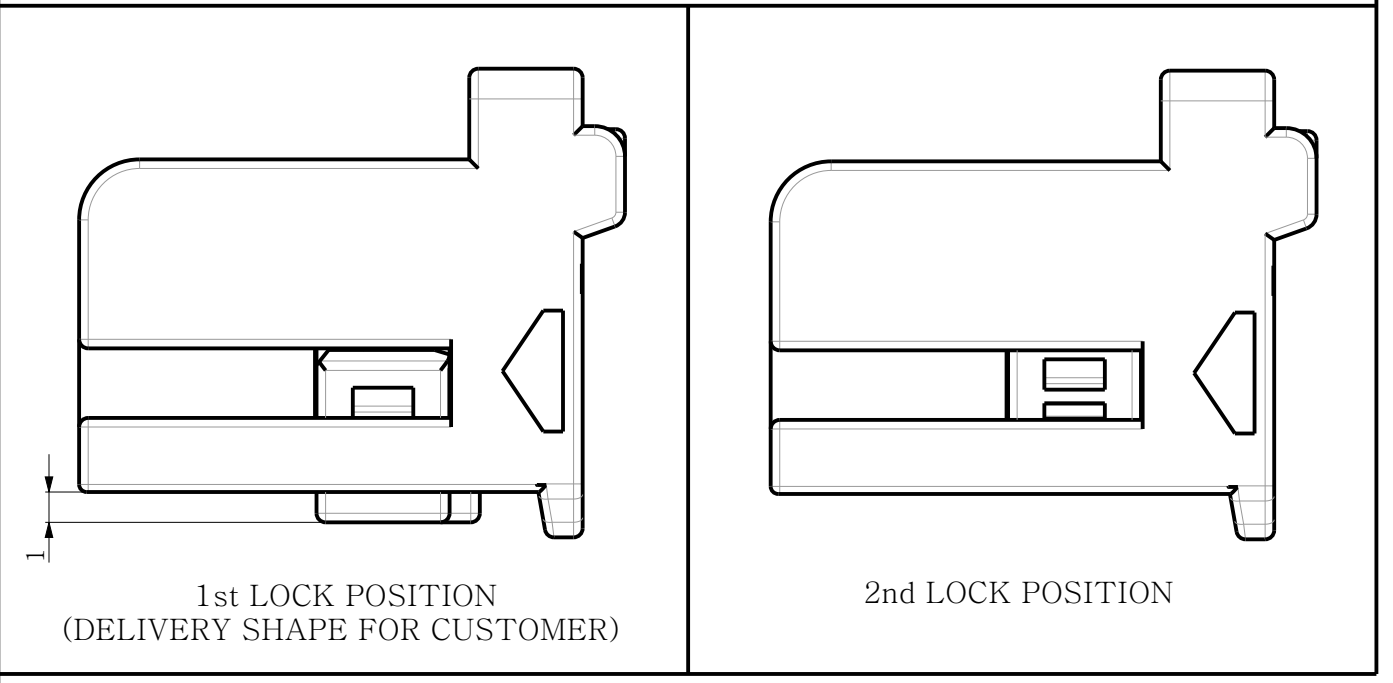


REV	REVISION RECORD	DATE	DRWN	CHKD	APVD
1	RELEASED	10.FEB'21	SJ	KH	CY
2	RD-2022-087	30.JUN'22	JH	SJ	CY
3	RD-2022-109	19.AUG'22	JH	SJ	CY
4	RD-2022-117	21.SEP'22	JH	SJ	CY

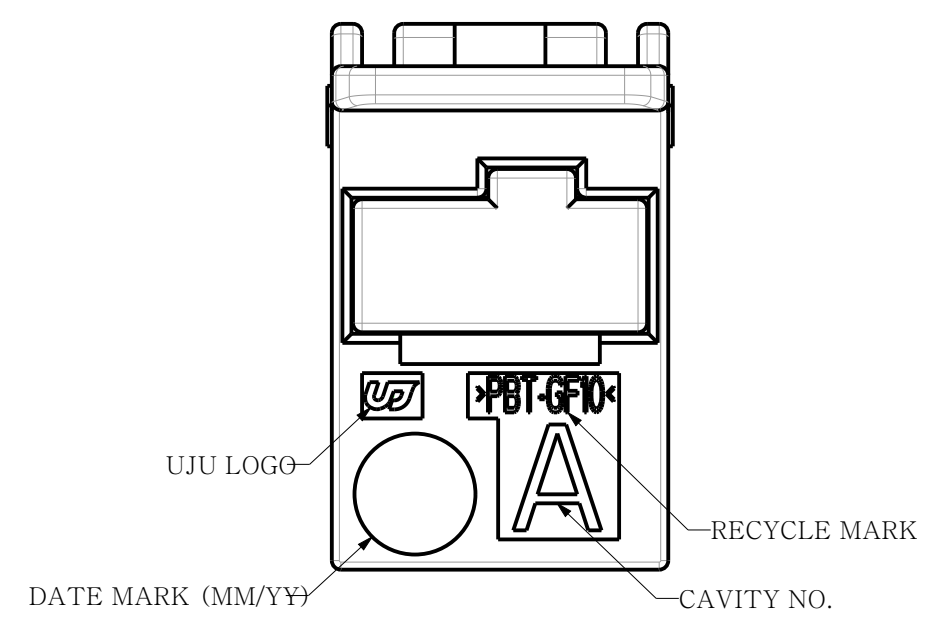
TPA LOCKING POSITION



TOLERANCE								
10MAX	30MAX	50MAX	70MAX	100MAX	120MAX	250MAX	250VR	ANGLE
±0.15	±0.20	±0.30	±0.40	±0.50	±0.75	±0.9	±1.4	±0.5°

DESCRIPTION	PART NO.	CODE	MATERIAL	FINISH/COLOR
025_II_8F_ASSY	KH2000082-20	-	PBT-GF10	BLACK
025_II_8F_ASSY	KH2000082-10	-	PBT-GF10	NATURAL

DESCRIPTION	PART NO.	WIRE RANGE	MATERIAL	FINISH
025_II_FEMALE_TERMINAL(S)	KH2000016-20	0.22 SQ	COPPER ALLOY	PRE-TIN
025_II_FEMALE_TERMINAL(M)	KH2000016-21	0.3 ~ 0.5 SQ	COPPER ALLOY	PRE-TIN



NOTE
 1. GENERAL TOLERANCE : SEE TABLE TOLERANCE
 2. DELIVERY CONDITION : TPA FIRST LOCK POSITION
 3. HSG DESCRIPTION : SEE TABLE-1
 4. APPLICABLE RECEPTACLE TERMINAL : TABLE-2
 5. REFERENCE MATING CONNECTOR IS KH2000085

NO.	DESCRIPTION	PART NO.	CODE	MATERIAL	FINISH/COLOR	Q'TY
3	025_II_8F_TPA	KM2000084-70	-	PBT-GF10	GREEN	1
2	025_II_8F_HSG	KM2000083-10	-	PBT-GF10	NATURAL	1
1	025_II_8F_HSG	KM2000083-20	-	PBT-GF10	BLACK	1

TOLERANCES UNLESS OTHERWISE SPECIFIED		UNIT MM	THIRD ANGLE PROJECTION	MATERIAL	FINISH/COLOR	WEIGHT	LOC	RESTRICTED TO	SIZE	SCALE	SHEET	REV
0	±			SEE TABLE-1	SEE TABLE-2				A2	4:1	1 OF 1	4

ASSY DESCRIPTION	ASSY PART NO.	CODE
025_II_8F_ASSY	KH2000082-10	-
025_II_8F_ASSY	KH2000082-20	-