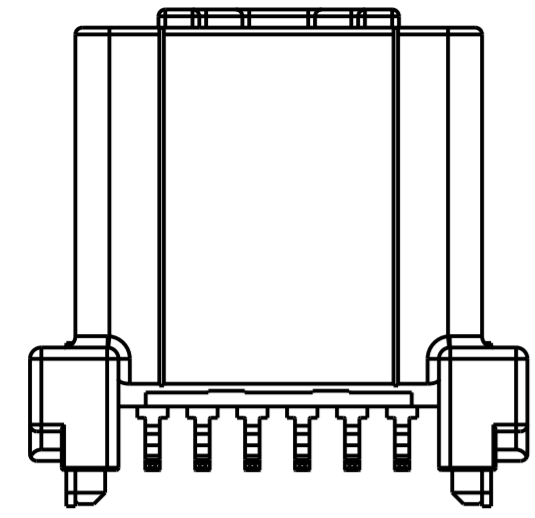
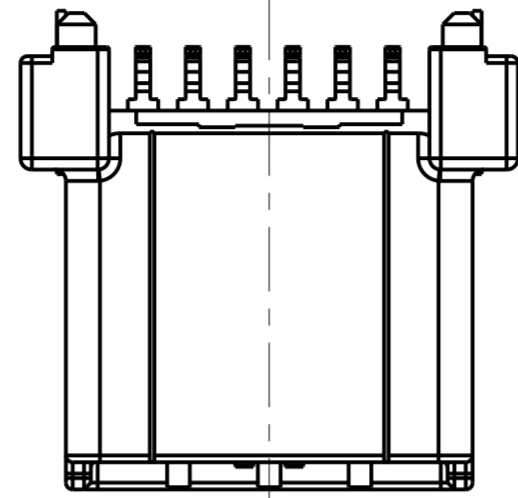


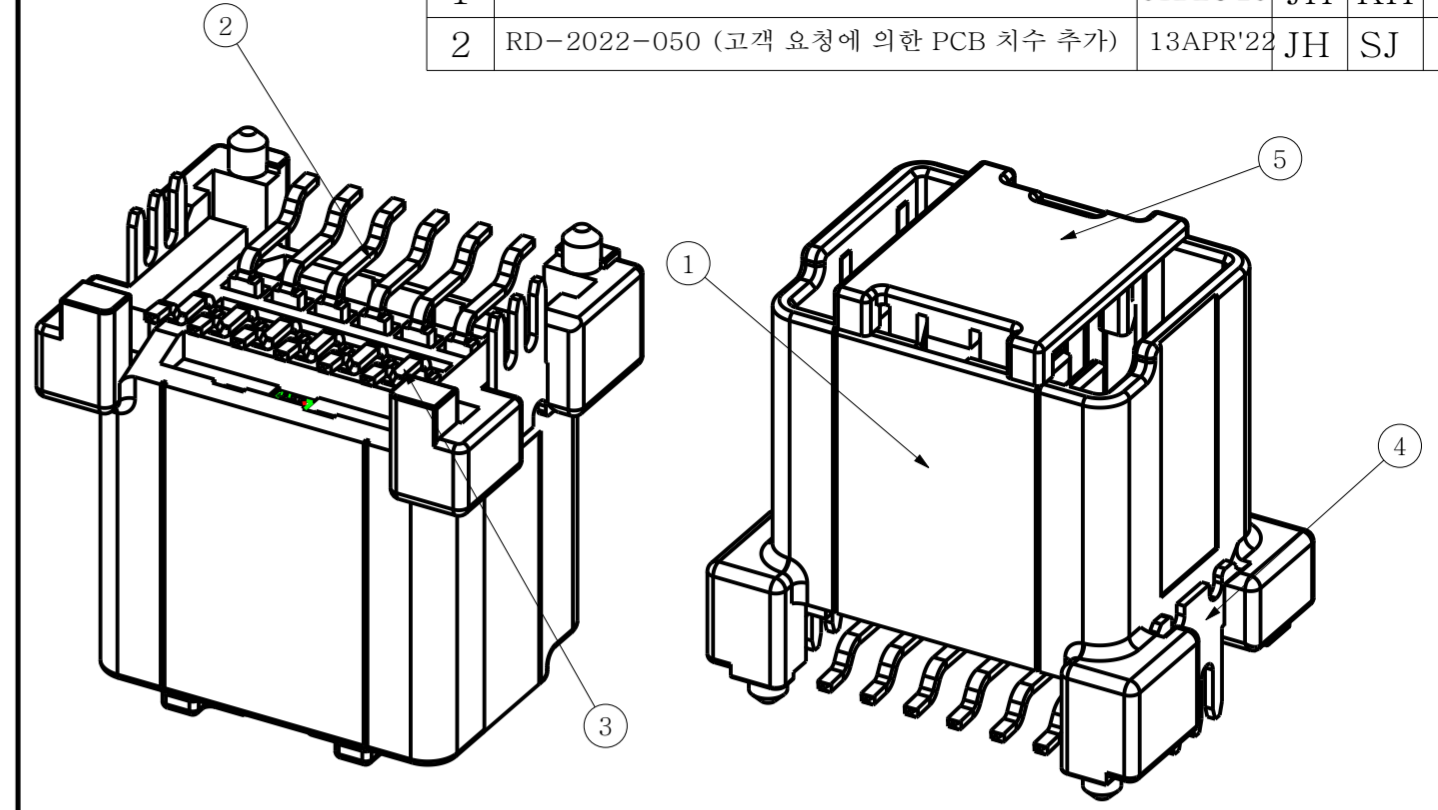
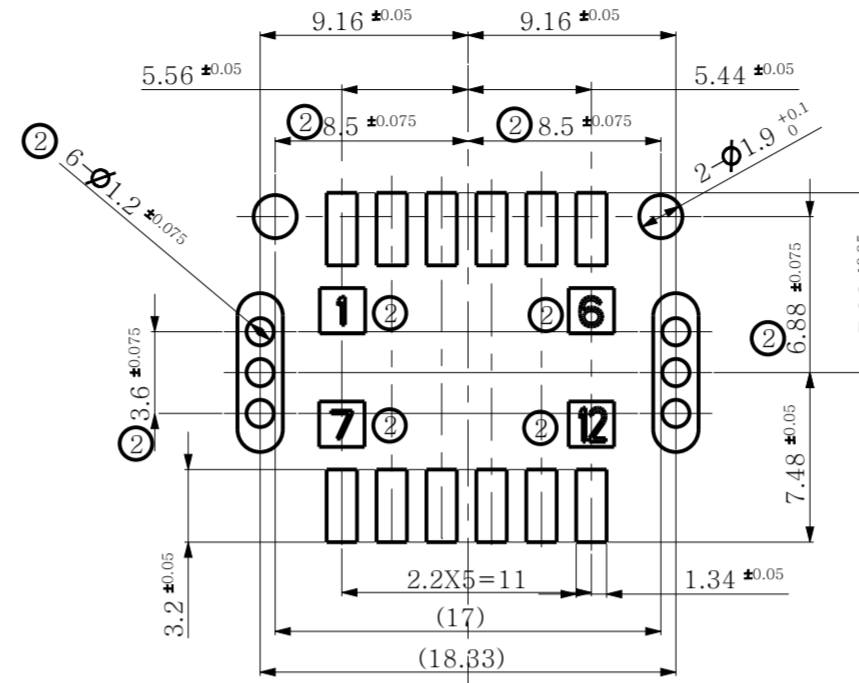
REV	REVISION RECORD	DATE	DRWN	CHKD	APVD
1	ENGINEERING CONTROLLED	01DEC'20	JH	KH	CY
2	RD-2022-050 (고객 요청에 의한 PCB 치수 추가)	13APR'22	JH	SJ	CY



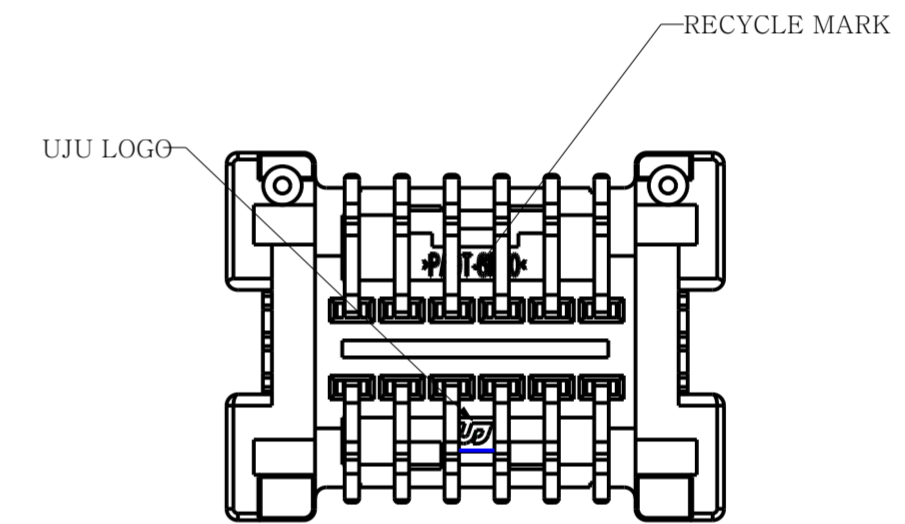
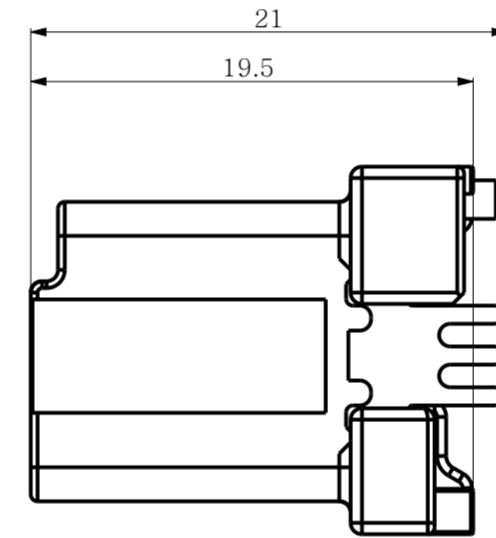
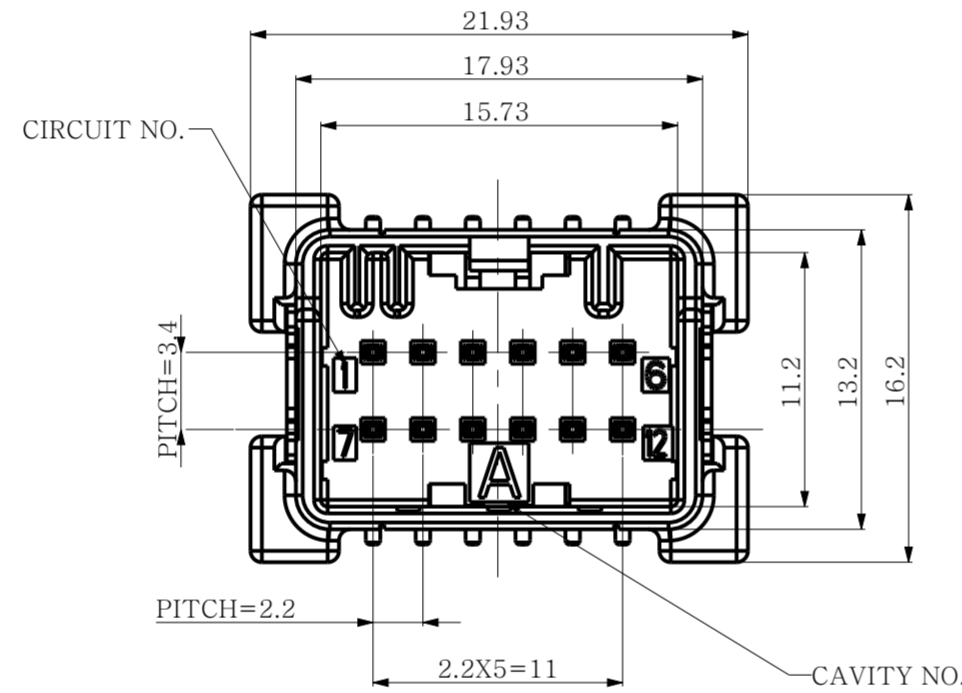
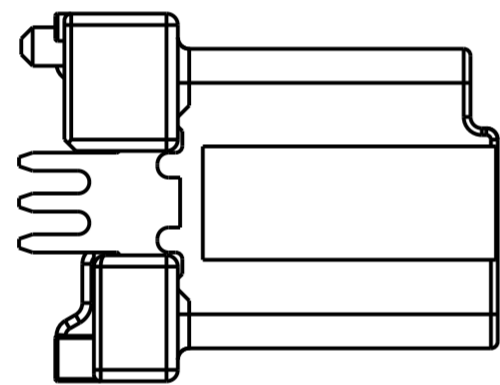
WITH COVER



PCB PATTERN



ISO VIEW
SCALE 3:1



NOTE

- General Tolerance : SEE TABLE TOLERANCE
- HSG DESCRIPTION : SEE TABLE-1
- MATERIAL
 - HDR HSG : PA9T-GF30
 - SOLDER PEG : COPPER ALLOY (POST-TIN)
 - TAB TML : COPPER ALLOY (POST-TIN)

TABLE-1

NO.	DESCRIPTION	PART NO.	CODE	MATERIAL	FINISH/COLOR	Q'TY
5	025_II_SMT_COVER	KM2000070-20	-	PA9T-GF30	BLACK	1
4	TH_SMT_V_SOLDER PEG	KM2000069-20	-	BRASS	POST-TIN	2
3	025_II_SMT_V_TAB(L)	KM2000068-20	-	BRASS	POST-TIN	6
2	025_II_SMT_V_TAB(S)	KM2000067-20	-	BRASS	POST-TIN	6
1	025_II_SMT_12M_V_HSG	KM2000072-20	-	PA9T-GF30	BLACK	1

TOLERANCE								
10MAX	30MAX	50MAX	70MAX	100MAX	120MAX	250MAX	250VR	ANGLE
±0.15	±0.20	±0.30	±0.40	±0.50	±0.75	±0.9	±1.4	±0.5°

TOLERANCES UNLESS OTHERWISE SPECIFIED	UNIT	MM	DRWN	JH.RYU	(주)우주일렉트로닉스 UJU Electronics co.,Ltd.							
	THIRD ANGLE PROJECTION		CHKD	KH.PARK								
PRODUCT SPEC	APPLICATION SPEC	WEIGHT	APVD	CY.CHOI	NAME	025_II_SMT_12M_V_ASSY						
					CUSTOMER DRAWING	DRAWING NO	KH2000071					
			LOC	RESTRICTED TO	SIZE	A2	SCALE	3:1	SHEET	1 OF 1	REV	2