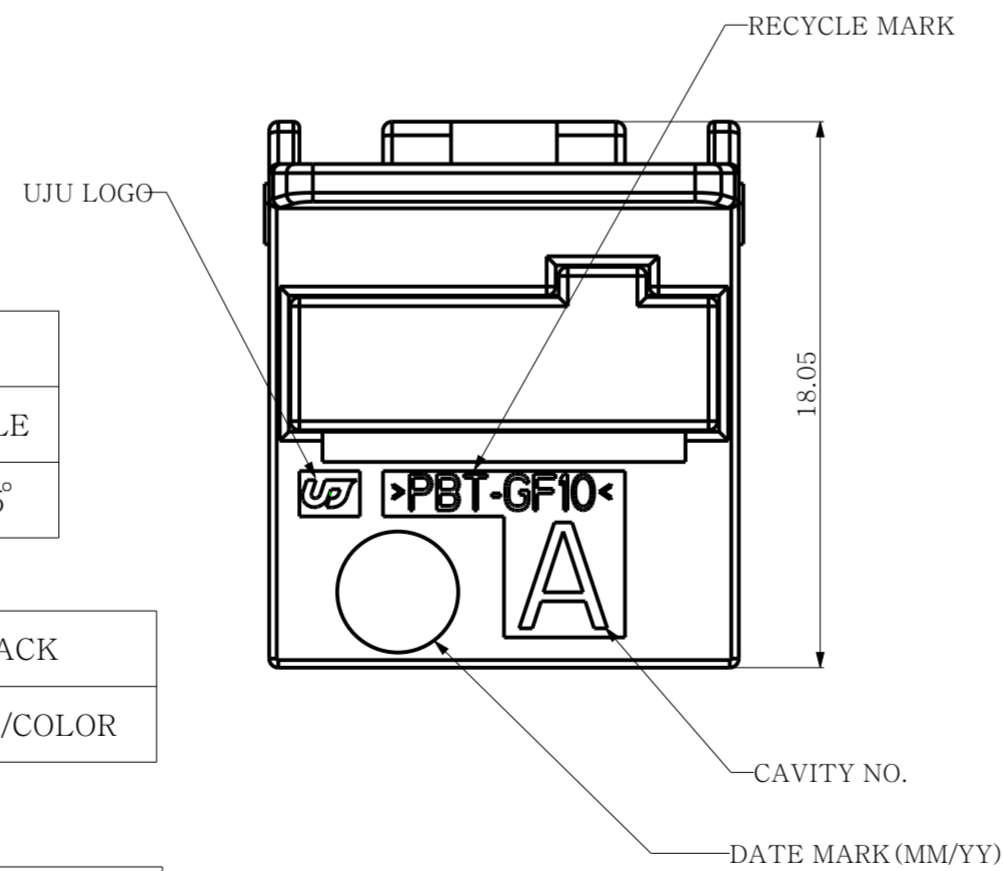
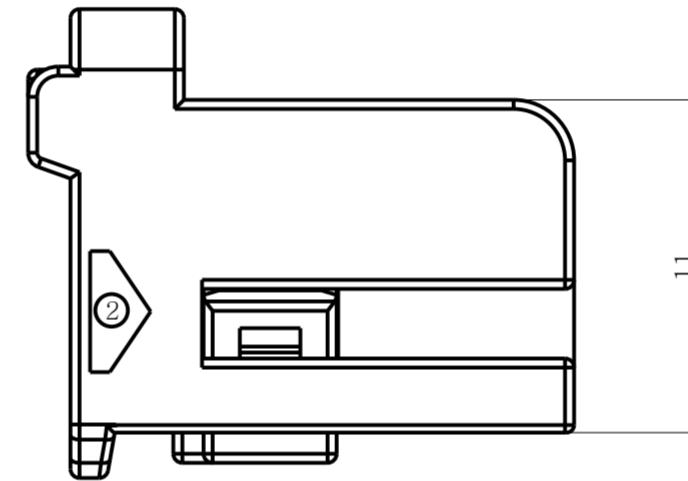
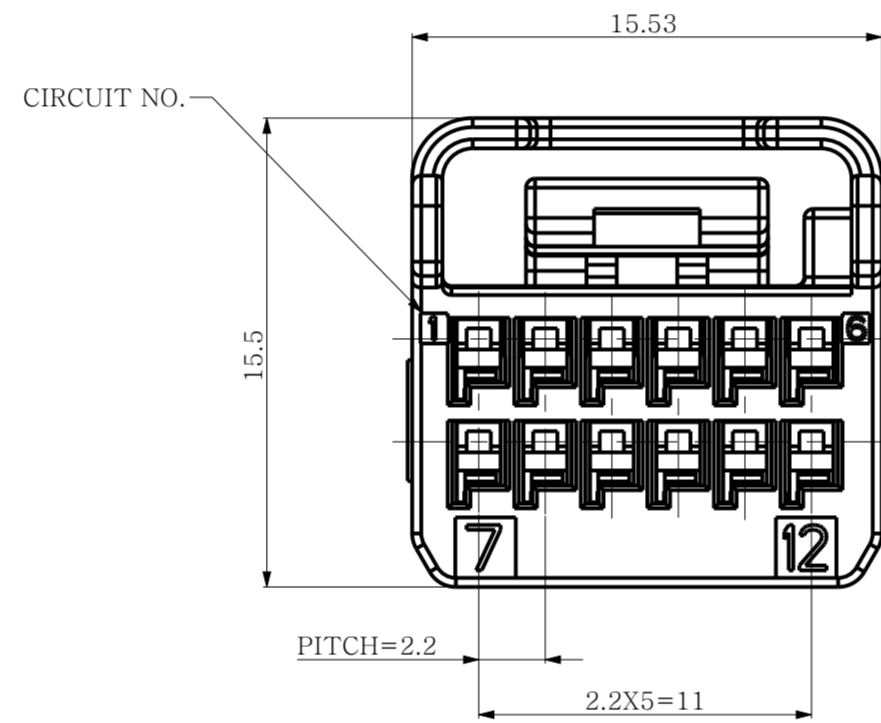
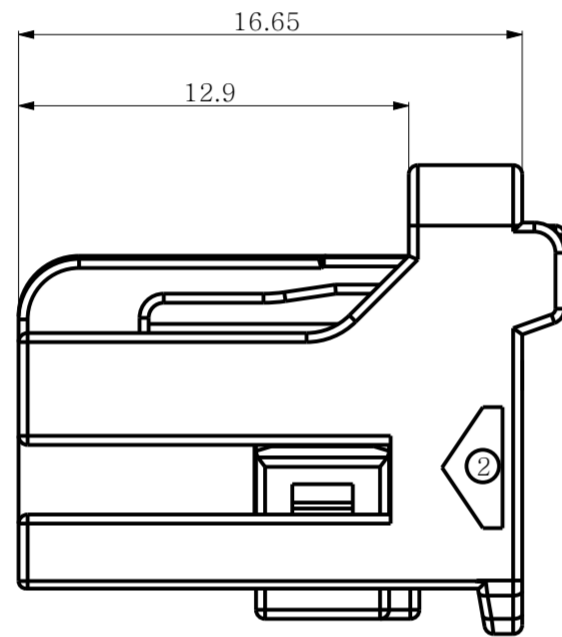
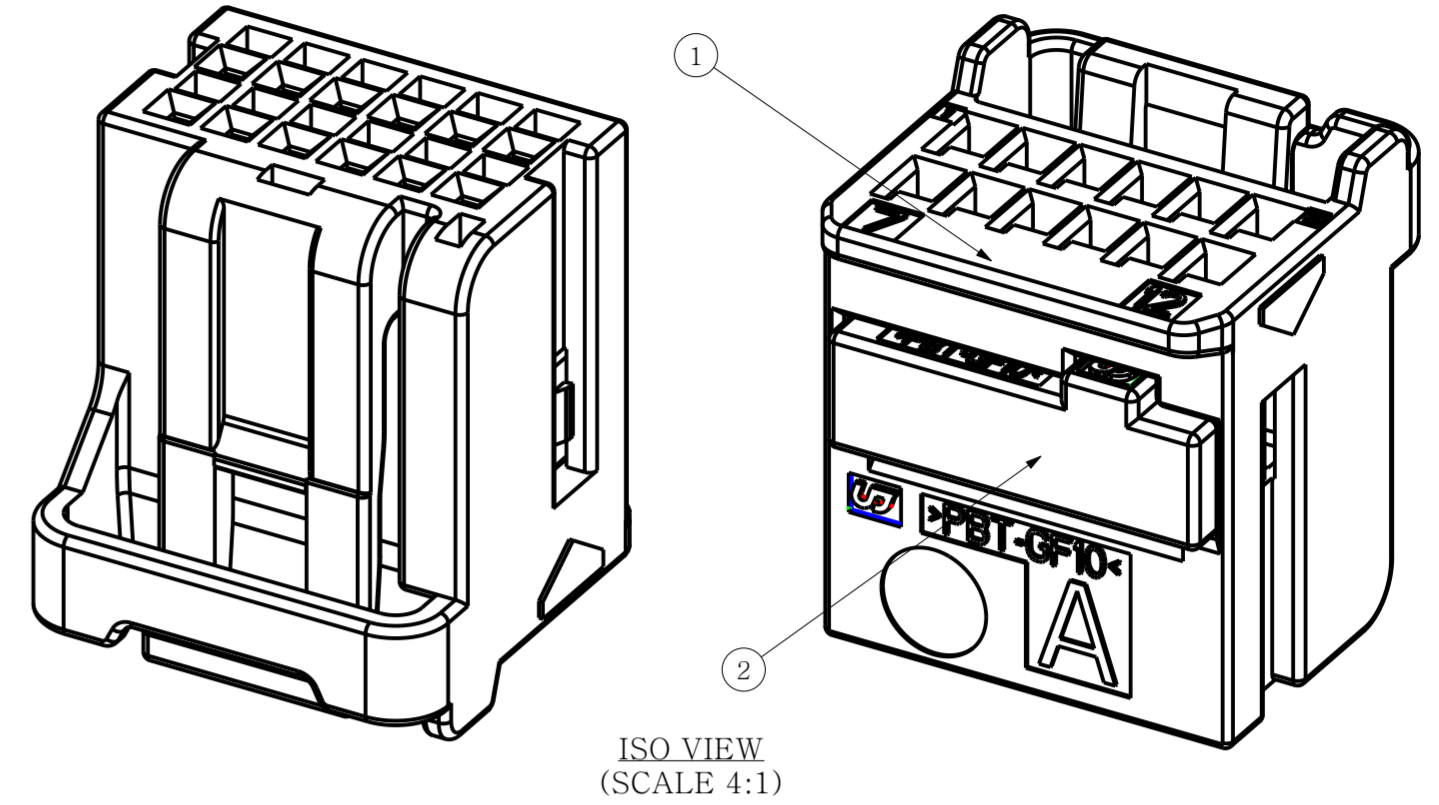
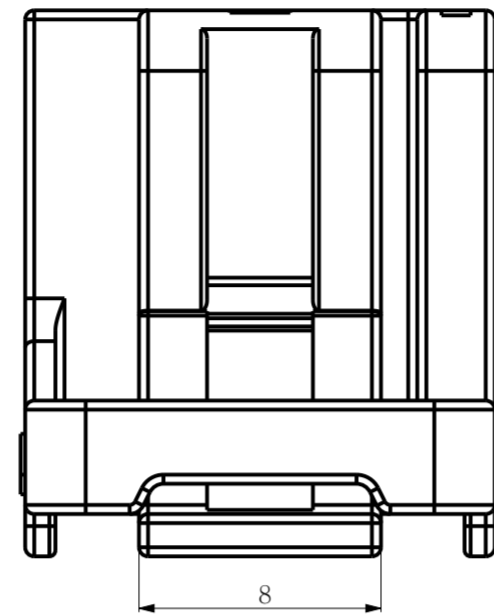
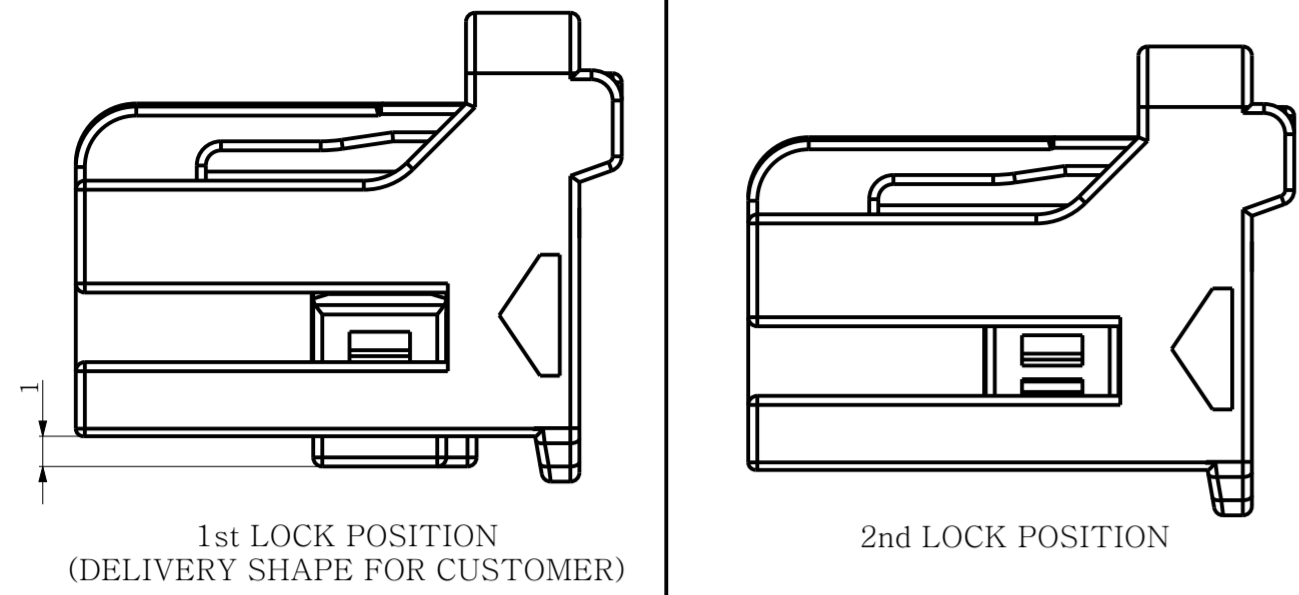


REV	REVISION RECORD	DATE	DRW	CHKD	APVD
1	ENGINEERING CONTROLLED	01.DEC'20	JH	KH	CY
2	EC NO (RD-2022-097) (고객 요청에 의한 제품 조립 시인성 확보 향상 생성)	20.JUL'22	JH	SJ	CY

TPA LOCKING POSITION



- NOTE
- GENERAL TOLERANCE : SEE TABLE TOLERANCE
  - DELIVERY CONDITION : TPA FIRST LOCK POSITION
  - HSG DESCRIPTION : SEE TABLE-1
  - APPLICABLE RECEPTACLE TERMINAL : TABLE-2
  - REFERENCE MATING CONNECTOR IS KH2000071

TOLERANCE								
10MAX	30MAX	50MAX	70MAX	100MAX	120MAX	250MAX	250VR	ANGLE
± 0.15	± 0.20	± 0.30	± 0.40	± 0.50	± 0.75	± 0.9	± 1.4	± 0.5°

TABLE-1

DESCRIPTION	PART NO.	CODE	MATERIAL	FINISH/COLOR
025_II_12F_ASSY	KH2000062-20	-	PBT GF10	BLACK

TABLE-2

DESCRIPTION	PART NO.	WIRE RANGE	MATERIAL	FINISH
025_II_FEMALE_TERMINAL(S)	KH2000016-20	0.22 SQ	COPPER ALLOY	PRE-TIN
025_II_FEMALE_TERMINAL(M)	KH2000016-21	0.3 ~ 0.5 SQ	COPPER ALLOY	PRE-TIN

NO.	DESCRIPTION	PART NO.	CODE	MATERIAL	FINISH/COLOR	Q'TY
2	025_II_12F_TPA	KM2000064-70	-	PBT-GF10	GREEN	1
1	025_II_12F_HSG	KM2000063-20	-	PBT-GF10	BLACK	1

TOLERANCES UNLESS OTHERWISE SPECIFIED 0 0.0 0.00 0.000 0.0000 ANGLES PRODUCT SPEC	UNIT MM	DRWN JH.RYU	(주)우주일렉트로닉스 UJU Electronics co.,Ltd.				
	THIRD ANGLE PROJECTION	CHKD KH.PARK					
	APPLICATION SPEC	APVD CY.CHOI	NAME 025_II_12F_ASSY				
	WEIGHT	RESTRICTED TO	CUSTOMER DRAWING KH2000062	DRAWING NO.	SIZE	SCALE	SHEET
				A2	4:1	1 OF 1	2

-	CODE
KH2000062-20	ASSY PART NO.
025_II_12F_ASSY	ASSY DESCRIPTION