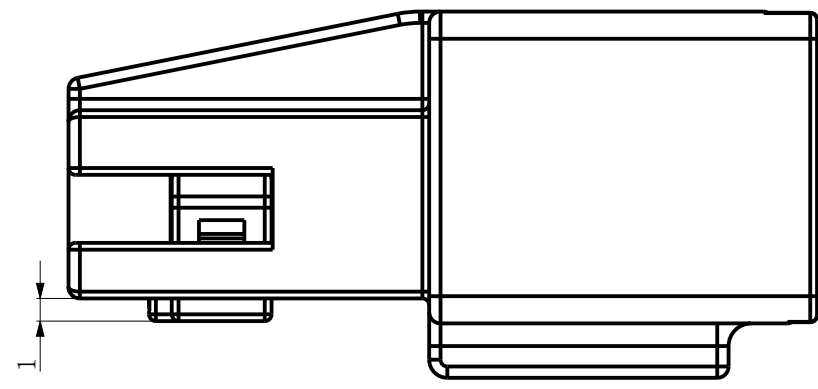
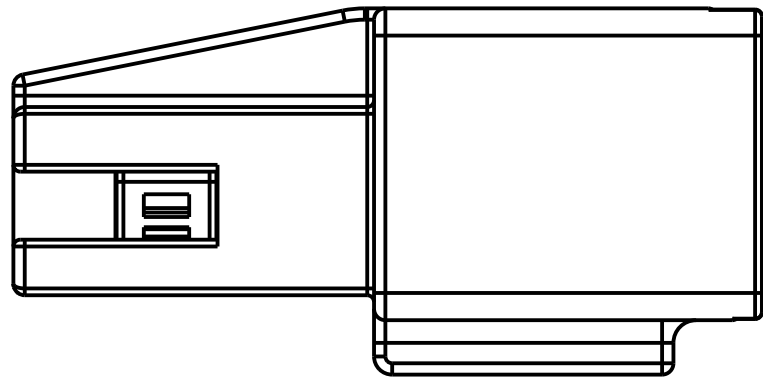


REV	REVISION RECORD	DATE	DRWN	CHKD	APVD
1	ENGINEERING CONTROLLED (RD-2021-014)	28JAN'21	JH	KH	CY

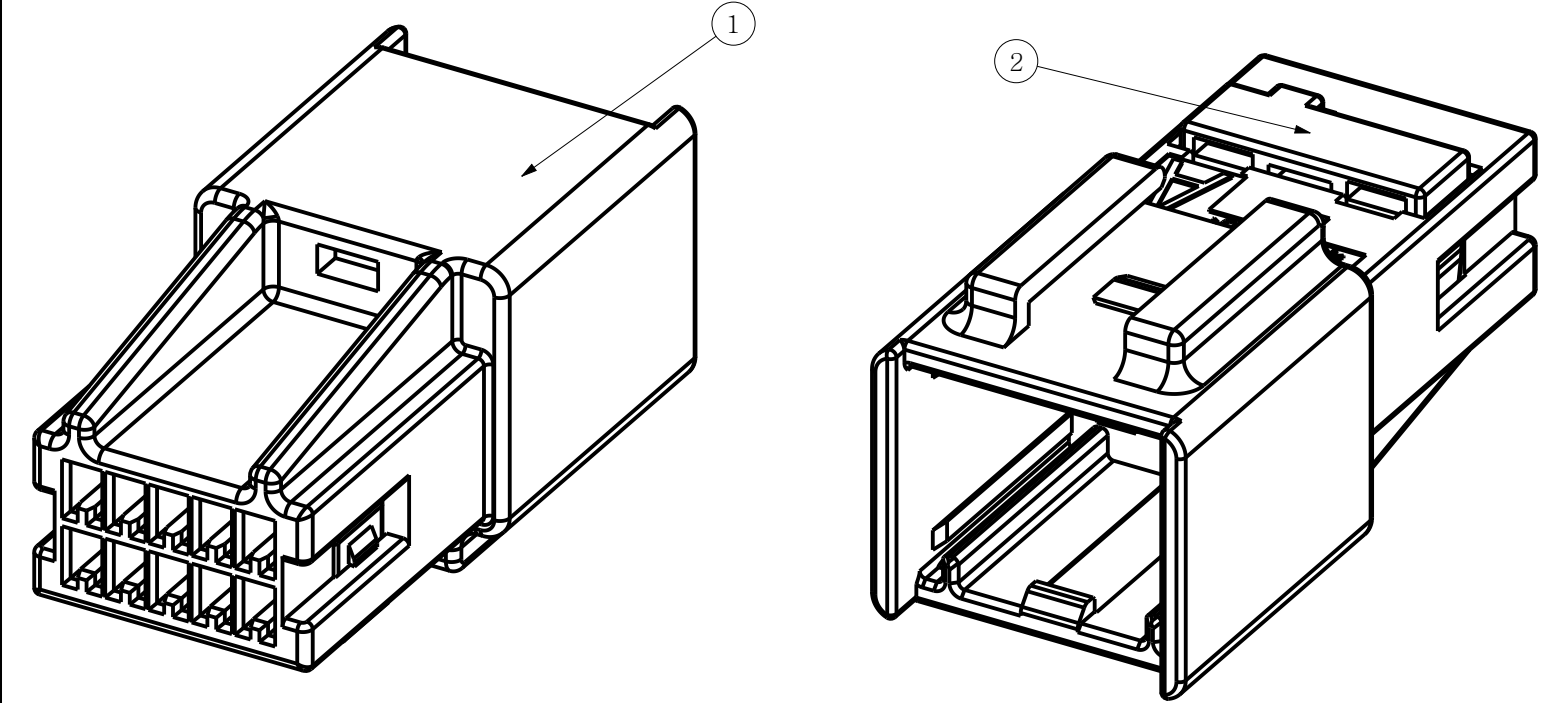
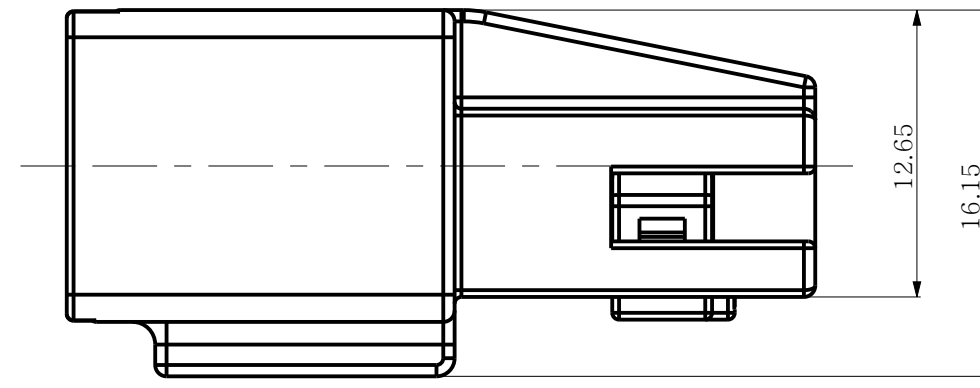
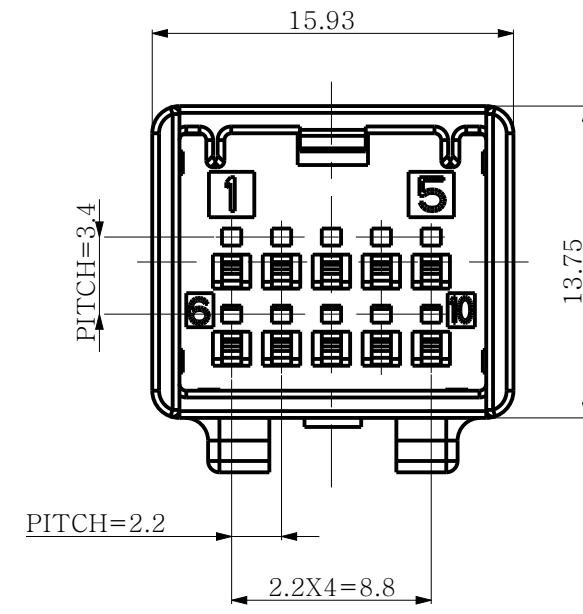
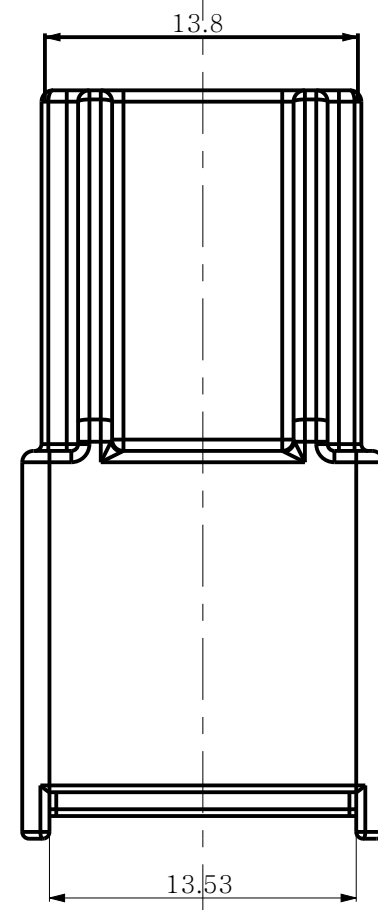
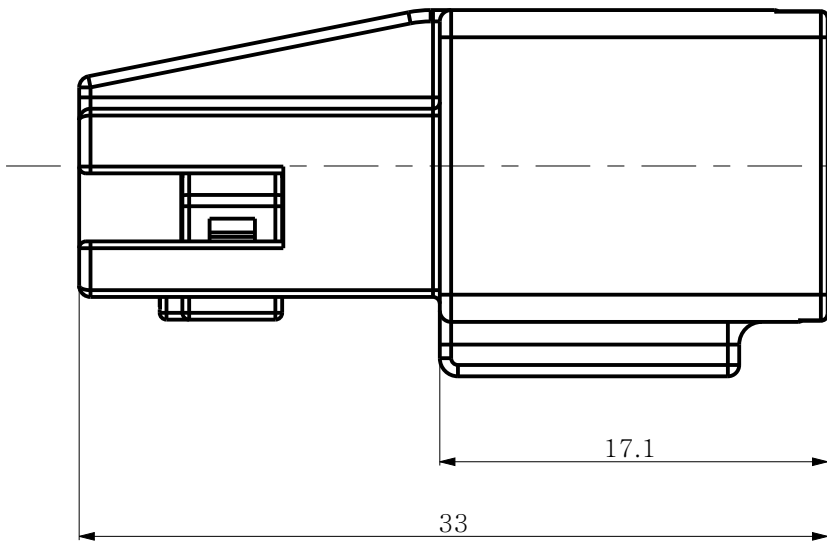
TPA LOCKING POSITION



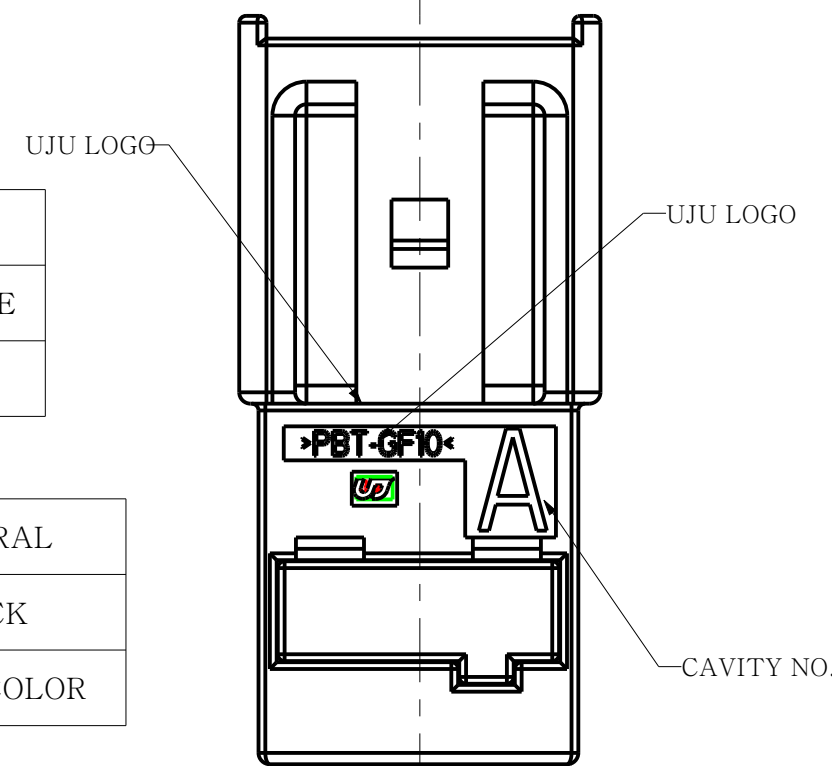
1st LOCK POSITION  
(DELIVERY SHAPE FOR CUSTOMER)



2nd LOCK POSITION



ISO VIEW  
(SCALE 3:1)



NOTE

1. GENERAL TOLERANCE : SEE TABLE TOLERANCE
2. DELIVERY CONDITION : TPA FIRST LOCK POSITION
3. HSG DESCRIPTION : SEE TABLE-1
4. APPLICABLE RECEPTACLE TERMINAL : TABLE-2
5. REFERENCE MATING CONNECTOR IS KH2000022

TOLERANCE								
10MAX	30MAX	50MAX	70MAX	100MAX	120MAX	250MAX	250VR	ANGLE
±0.15	±0.20	±0.30	±0.40	±0.50	±0.75	±0.9	±1.4	±0.5°

TABLE-1

DESCRIPTION	PART NO.	CODE	MATERIAL	FINISH/COLOR
025_IL_10M_ASSY	KH2000025-10	A	PBT GF10	NATURAL
	KH2000025-20	B		BLACK

TABLE-2

DESCRIPTION	PART NO.	WIRE RANGE	MATERIAL	FINISH
025_IL_MALE_TERMINAL(M)	KH2000017-21	0.3 ~ 0.5 SQ	COPPER ALLOY	PRE-TIN

NO.	DESCRIPTION	PART NO.	CODE	MATERIAL	FINISH/COLOR	Q'TY	Q'TY
2	025_IL_10M_TPA	KM2000027-30	-	PBT-GF10	GRAY	1	1
1	025_IL_10M_HSG	KM2000026-20	B	PBT-GF10	BLACK	1	-
		KM2000026-10	A		NATURAL	-	1

DRWN JH.RYU CHKD KH.PARK APVD CY.CHOI		(주)우주일렉트로닉스 UJU Electronics co.,Ltd.	
TOLERANCES UNLESS OTHERWISE SPECIFIED 0 ± 0.0 ± 0.00 ± 0.000 ± 0.000 ± ANGLES ± PRODUCT SPEC		UNIT MM THIRD ANGLE PROJECTION 	
MATERIAL SEE TABLE-1 FINISH/COLOR SEE TABLE-1		NAME 025_IL_10M_ASSY CUSTOMER DRAWING DRAWING NO KH2000025	
APPLICATION SPEC		WEIGHT LOC RESTRICTED TO SIZE SCALE SHEET REV A2 3:1 1 OF 1 1	