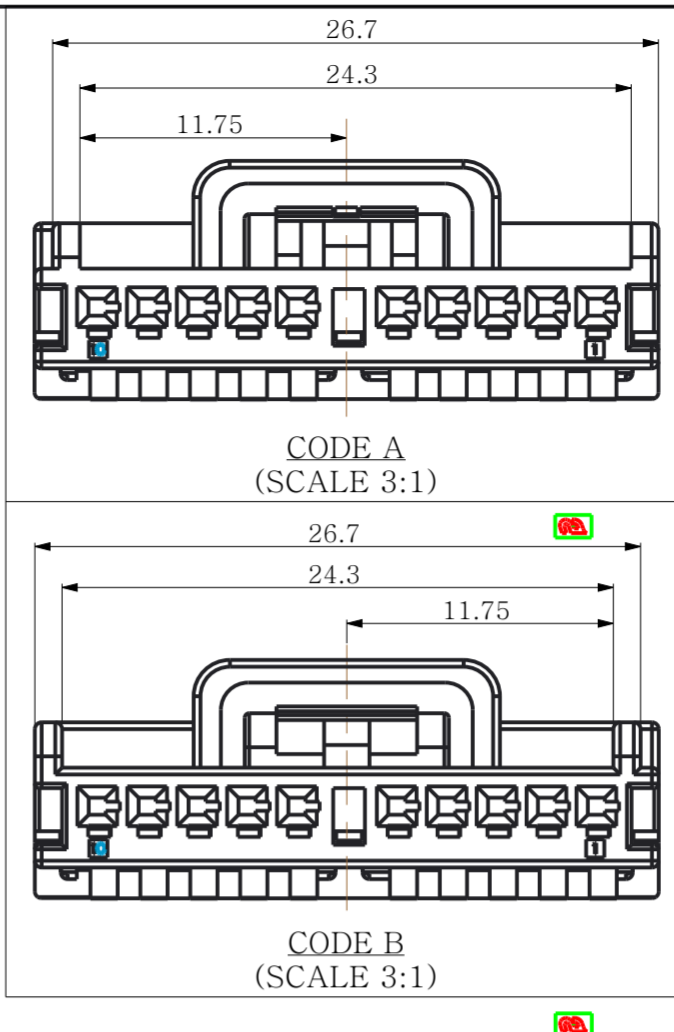
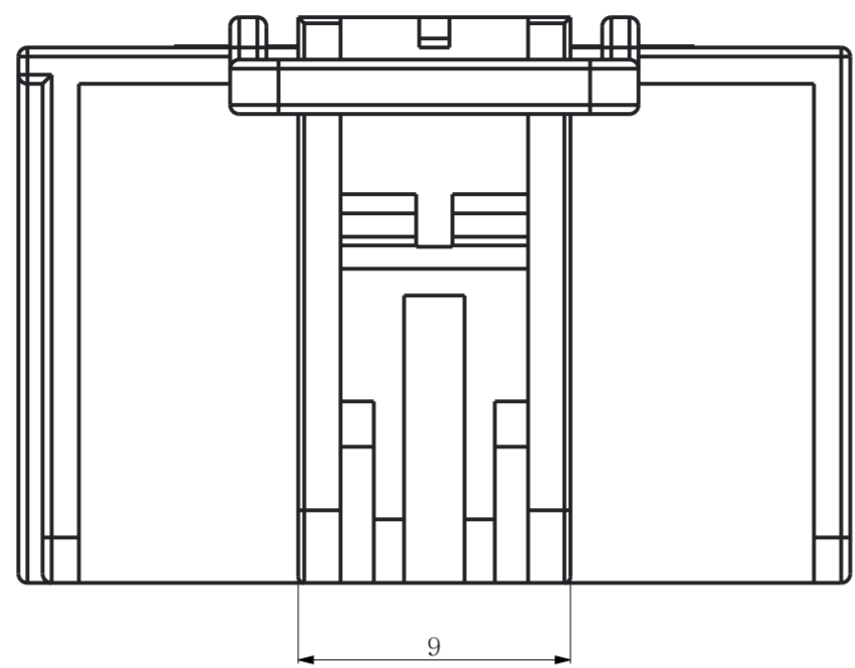
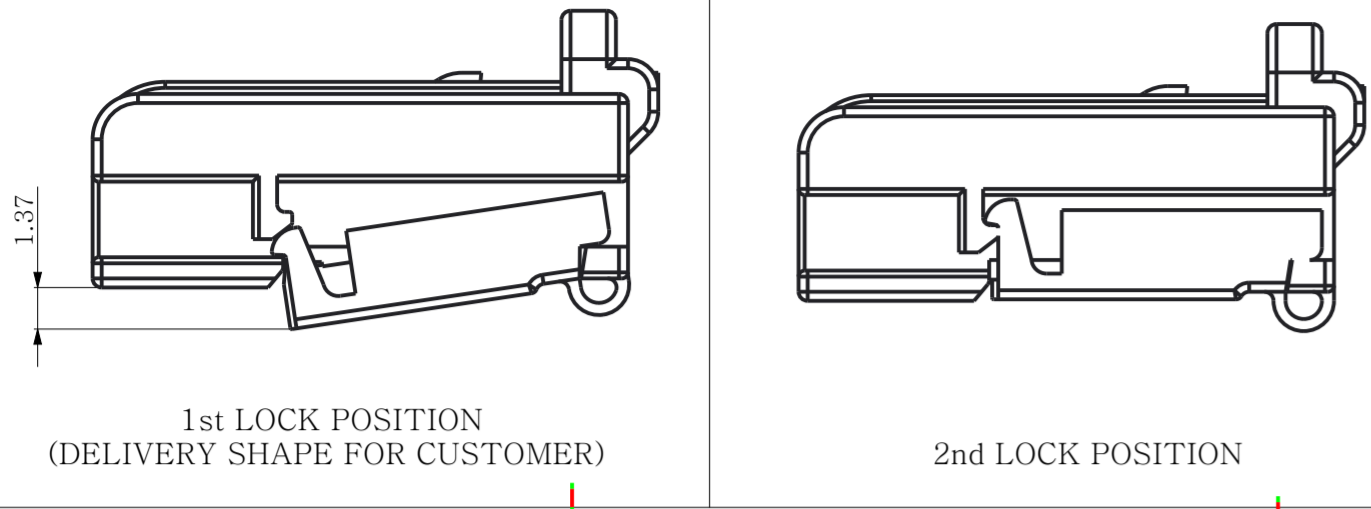
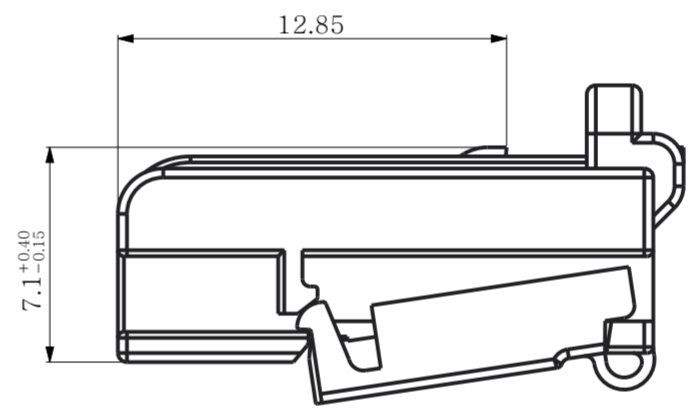
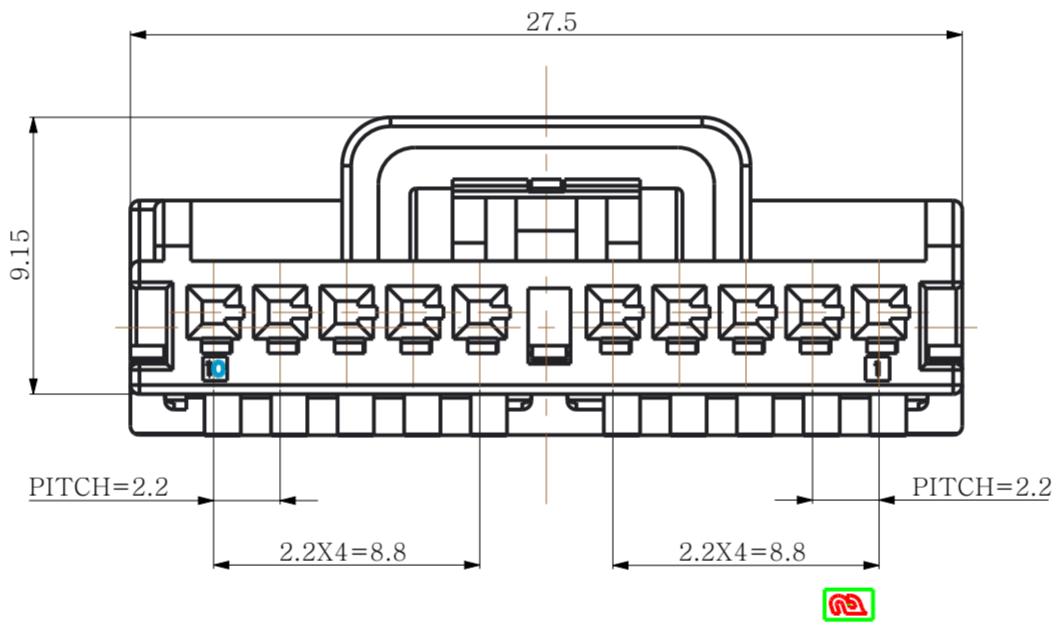
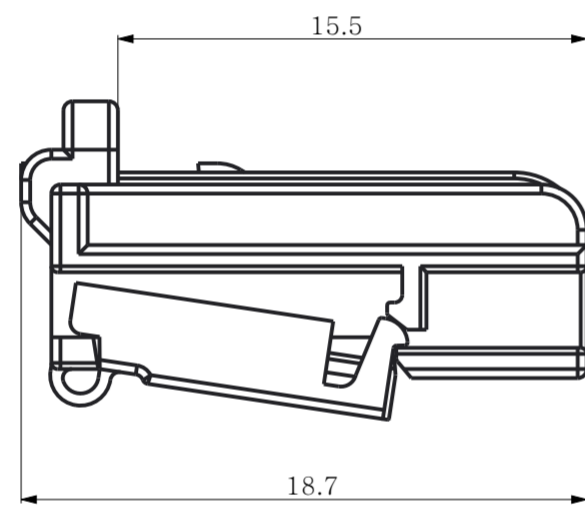
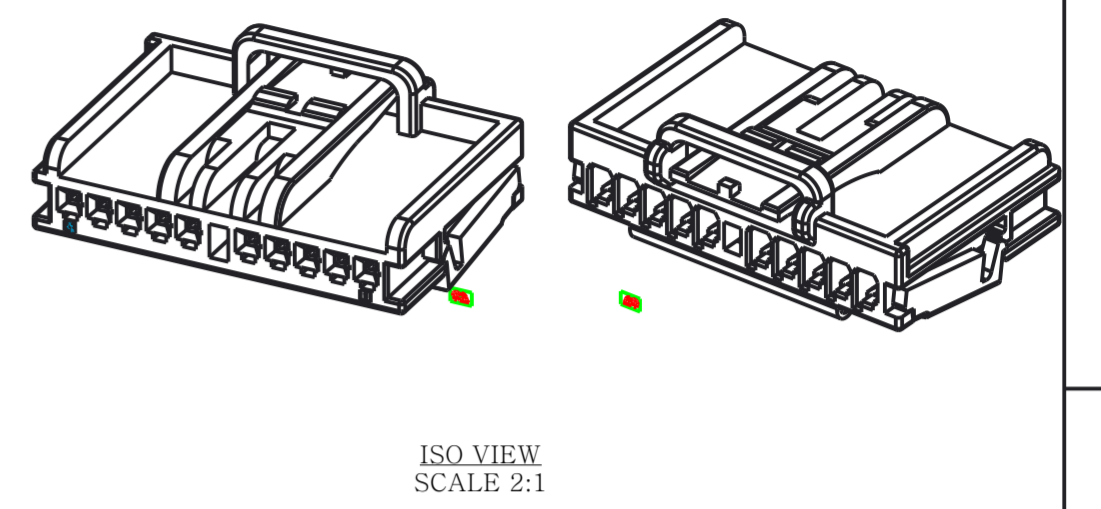


TPA LOCKING POSITION



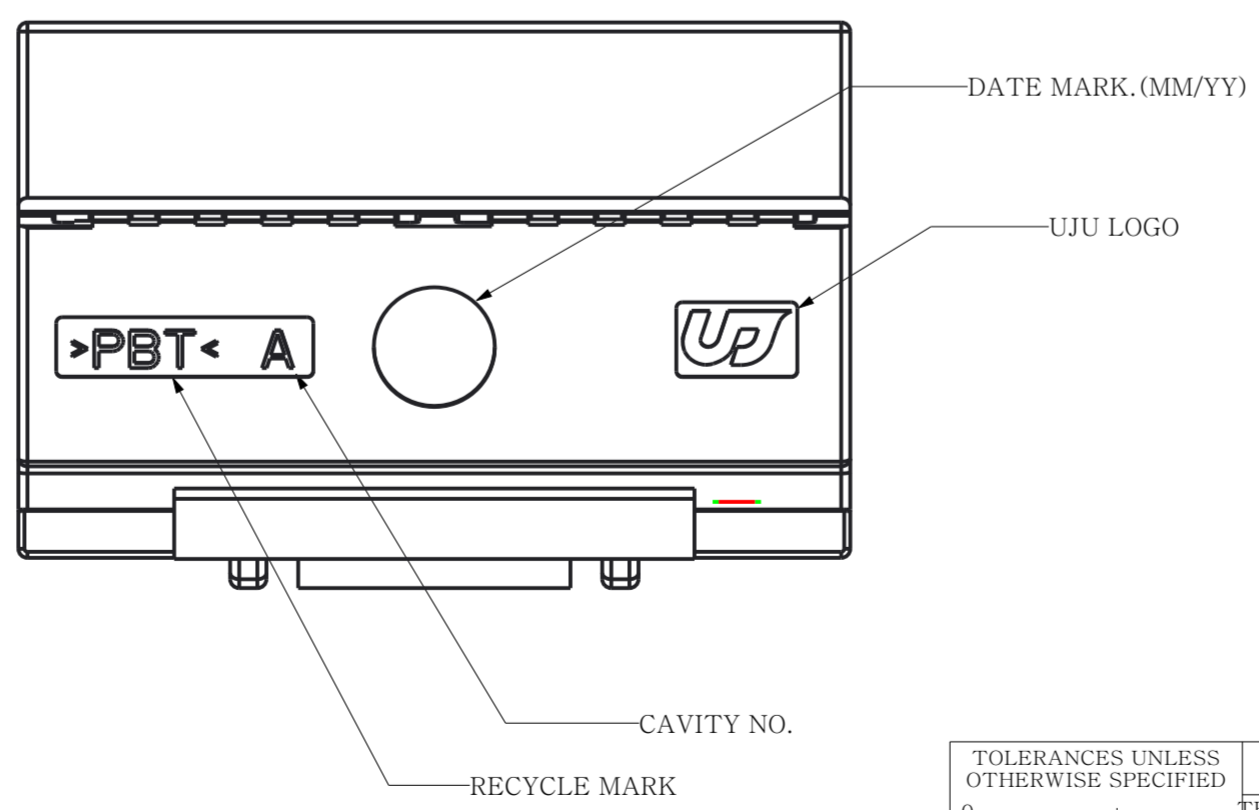
REV	REVISION RECORD	DATE	DRWN	CHKD	APVD
A	RELEASED (RD-2020-158) 양산 도면 최초 배포	02DEC'20	JH	KH	CY



TOLERANCE								
10MAX	30MAX	50MAX	70MAX	100MAX	120MAX	250MAX	250VR	ANGLE
±0.15	±0.20	±0.30	±0.40	±0.50	±0.75	±0.9	±1.4	±0.5°

DESCRIPTION	PART NO.	CODE	MATERIAL	FINISH/COLOR
025_D_10F_ASSY	KH1900070-10	A	PBT	NATURAL
	KH1900070-21	B		BLACK

DESCRIPTION	PART NO.	WIRE RANGE	MATERIAL	FINISH
025_D_FEMALE_TERMINAL	KH1800045-21	0.3 ~ 0.5 SQ	COPPER ALLOY	PRE-TIN



NOTE
 1. GENERAL TOLERANCE : SEE TABLE TOLERANCE
 2. DELIVERY CONDITION : TPA FIRST LOCK POSITION
 3. HSG DESCRIPTION : SEE TABLE-1
 4. APPLICABLE RECEPTACLE TERMINAL : TABLE-2
 5. REFERENCE MATING CONNECTOR IS KH1300038 OR KH1300055

TOLERANCES UNLESS OTHERWISE SPECIFIED		UNIT MM	THIRD ANGLE PROJECTION		MATERIAL		NAME	
0	±				SEE TABLE-1		025_D_10F_ASSY	
0.0	±							
0.00	±							
0.000	±							
0.0000	±							
ANGLES	±	APPLICATION SPEC		WEIGHT		DRAWING NO. KH1900070		
PRODUCT SPEC		APPLICATION SPEC		WEIGHT		DRAWING NO. KH1900070		

DRWN	CHKD	APVD	NAME	
JH.RYU	KH.PARK	CY.CHOI	025_D_10F_ASSY	
			(주)우주일렉트로닉스 UJU Electronics co.,Ltd.	
			CUSTOMER DRAWING	DRAWING NO. KH1900070
			LOC	RESTRICTED TO
			SIZE A2	SCALE 4:1
			SHEET 1 OF 1	REV A