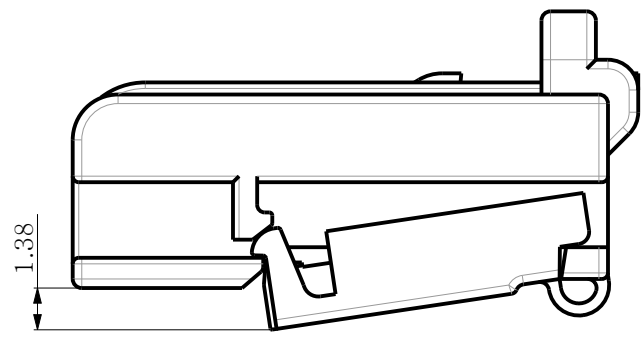
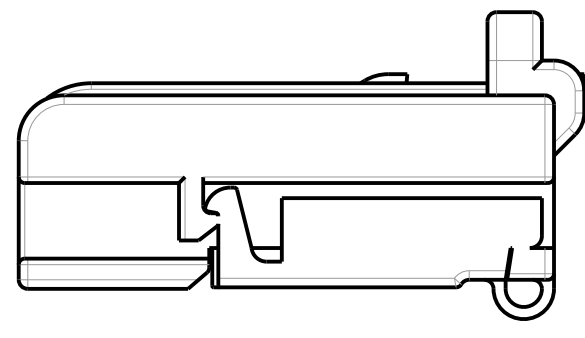


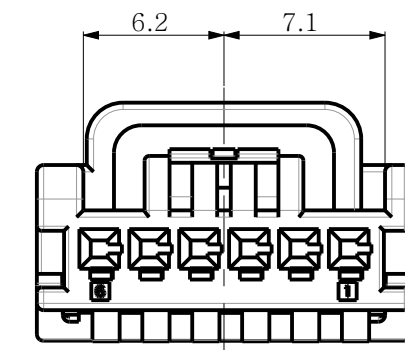
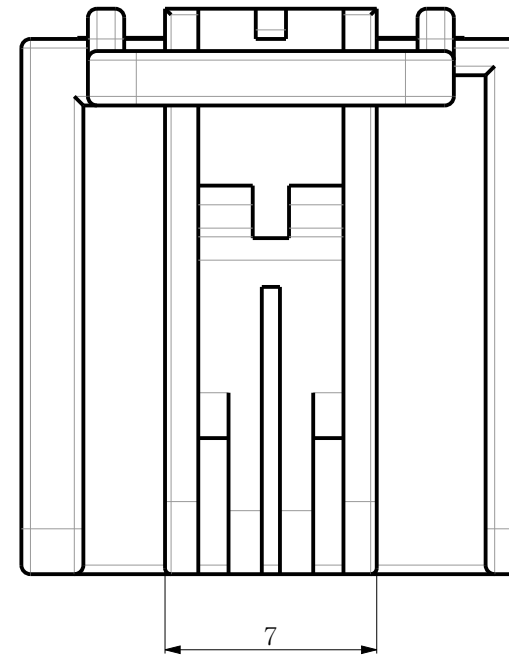
TPA LOCKING POSITION



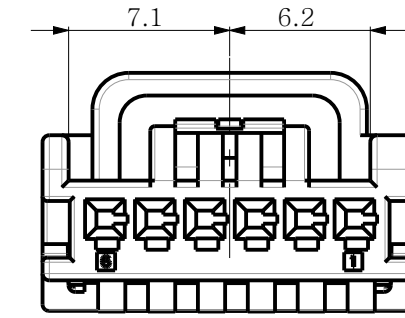
1st LOCK POSITION  
(DELIVERY SHAPE FOR CUSTOMER)



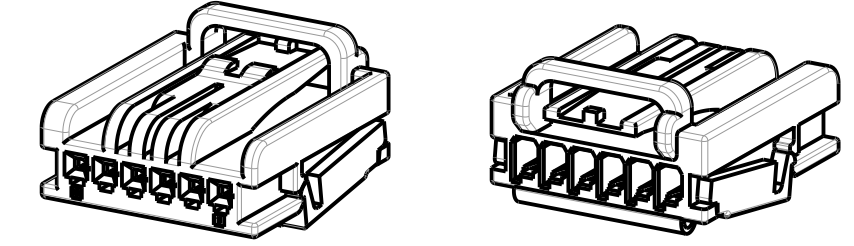
2nd LOCK POSITION



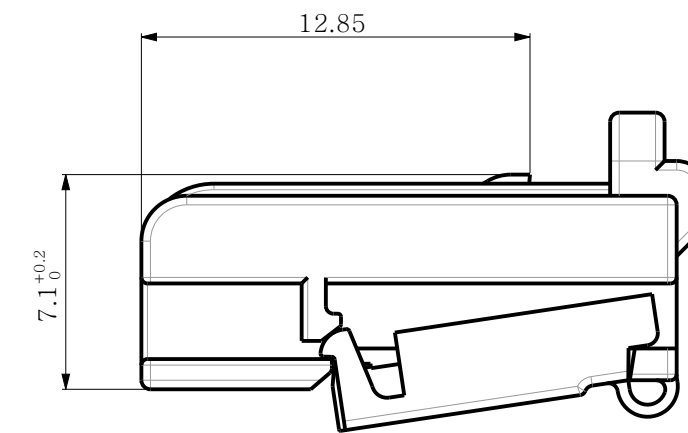
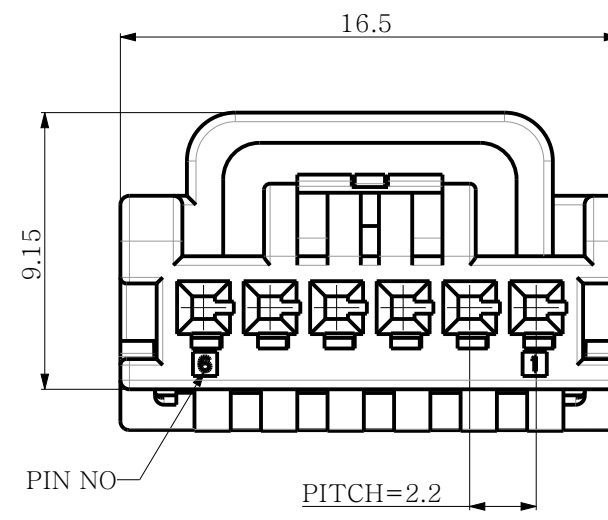
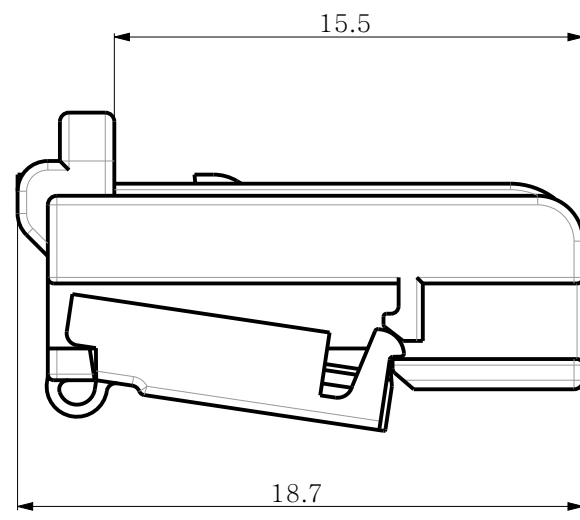
CODE A  
(SCALE 3:1)



CODE B  
(SCALE 3:1)



ISO VIEW  
(SCALE 2:1)



TOLERANCE								
10MAX	30MAX	50MAX	70MAX	100MAX	120MAX	250MAX	250VR	ANGLE
±0.15	±0.20	±0.30	±0.40	±0.50	±0.75	±0.9	±1.4	±0.5°

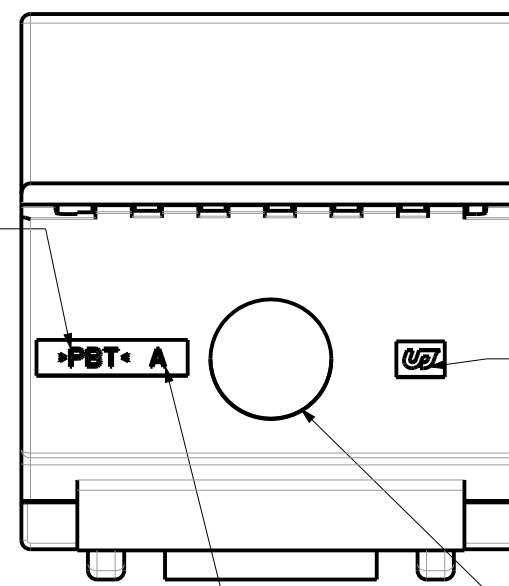
TABLE-1

DESCRIPTION	PART NO.	CODE	MATERIAL	FINISH/COLOR
025_D_6F_ASSY	KH1900007-10	A	PBT	NATURAL
	KH1900007-21	B		BLACK

TABLE-2

DESCRIPTION	PART NO.	WIRE RANGE	MATERIAL	FINISH
025_D_FEMALE_TERMINAL	KH1800045-21	0.3 ~ 0.5 SQ	COPPER ALLOY	PRE-TIN

RECYCLE MARK



UJU LOGO

DATE MARK (MM/YY)

CAVITY NO

NOTE

- GENERAL TOLERANCE : SEE TABLE TOLERANCE
- DELIVERY CONDITION : TPA FIRST LOCK POSITION
- HSG DESCRIPTION : SEE TABLE-1
- APPLICABLE RECEPTACLE TERMINAL : TABLE-2
- REFERENCE MATING CONNECTOR IS KH1300031 OR KH1300051

TOLERANCES UNLESS OTHERWISE SPECIFIED	UNIT MM	THIRD ANGLE PROJECTION	DRWN	(주)우주일렉트로닉스 UJU Electronics co.,Ltd.			
			APVD	NAME			
0 ±			HS.LEE	025_D_6F_ASSY			
0.0 ±			SH.LEE	MATERIAL			
0.00 ±			CY.CHOI	SEE TABLE-1			
0.000 ±				FINISH/COLOR		DRAWING NO	
0.0000 ±				SEE TABLE-1		KH1900007	
ANGLES ±				DRAWING		SHEET	
PRODUCT SPEC	APPLICATION SPEC	WEIGHT	LOC	RESTRICTED TO	SIZE	SCALE	REV
					A2	4:1	4
						1 OF 1	