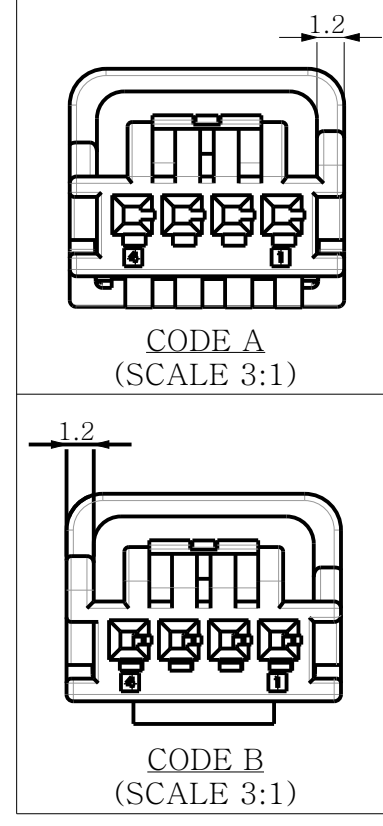
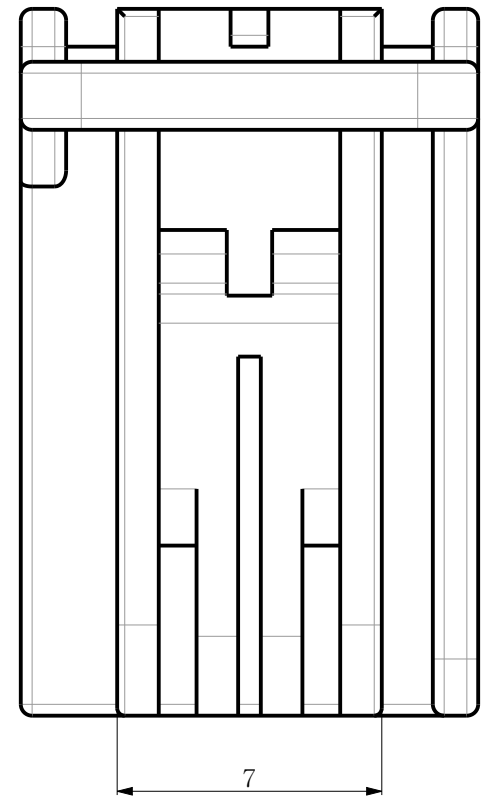
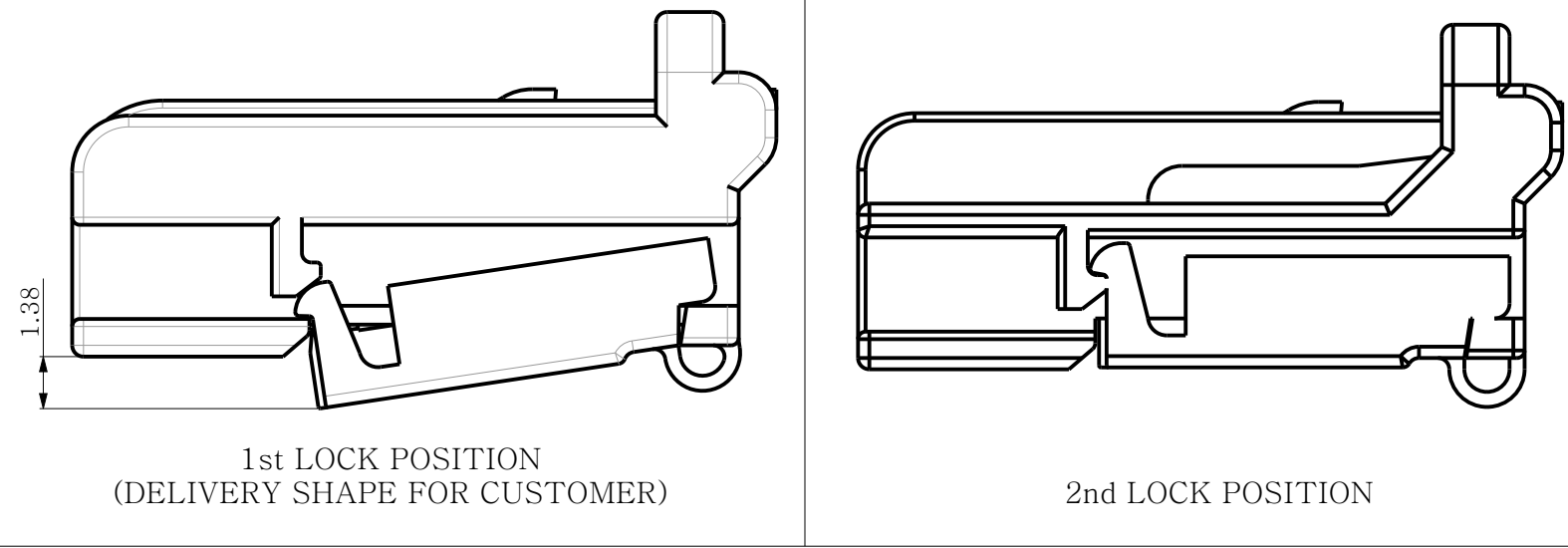
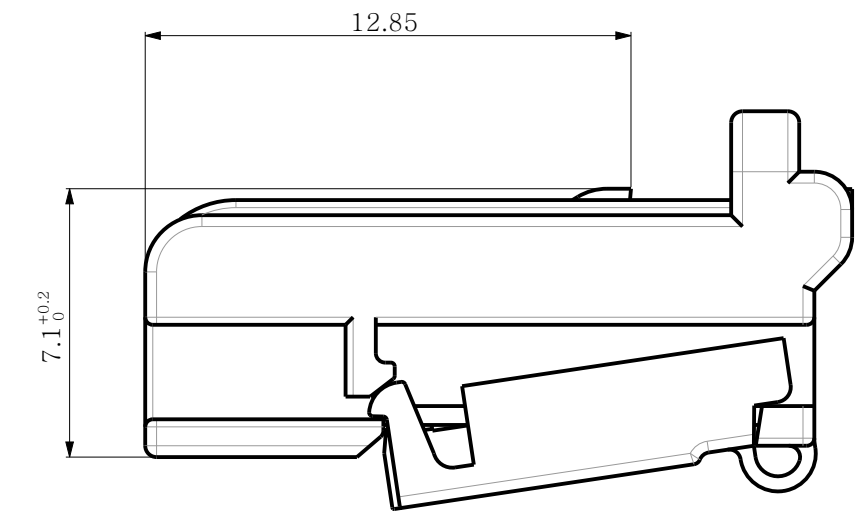
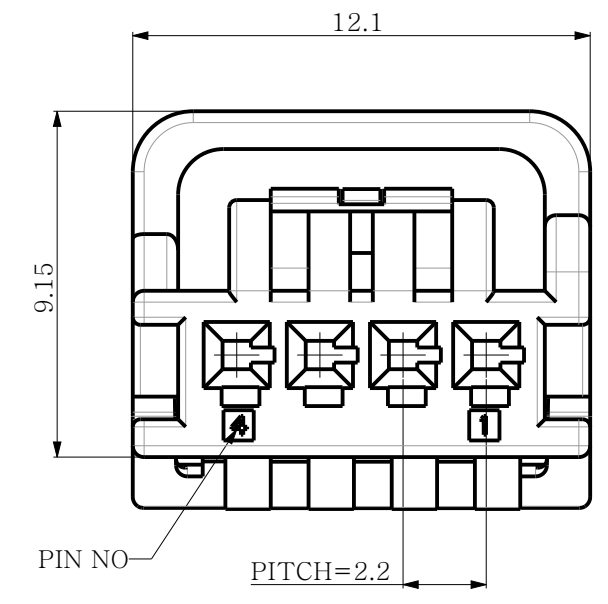
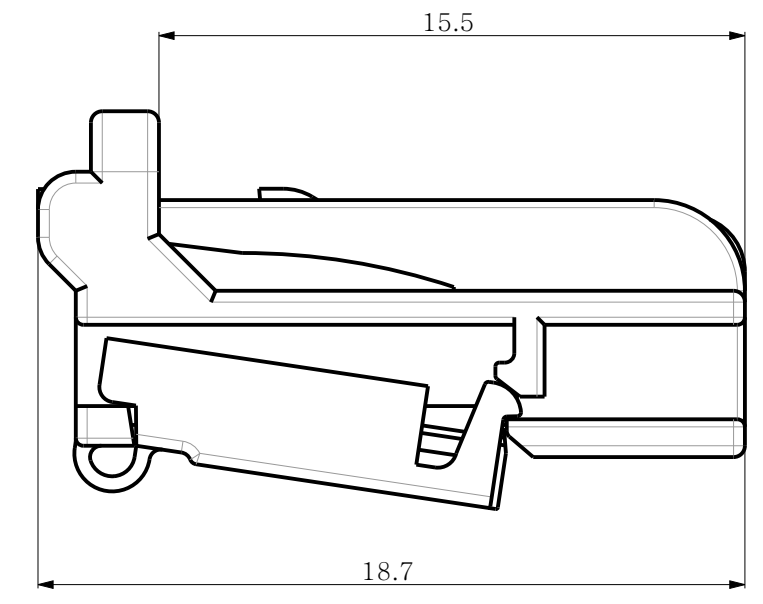
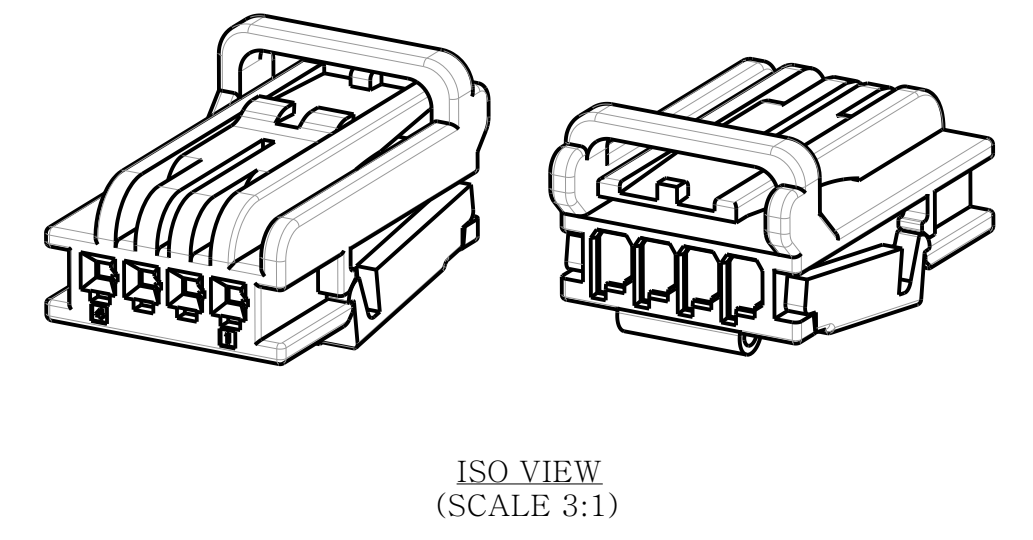


TPA LOCKING POSITION



REV	REVISION RECORD	DATE	DRWN	CHKD	APVD
1	RELEASED (RD-2019-053)	13MAR'19	HS	SH	CY
2	RELEASED (RD-2019-083)	27MAY'19	JH	KH	CY
3	RELEASED (RD-2019-129)	23AUG'19	JH	KH	CY



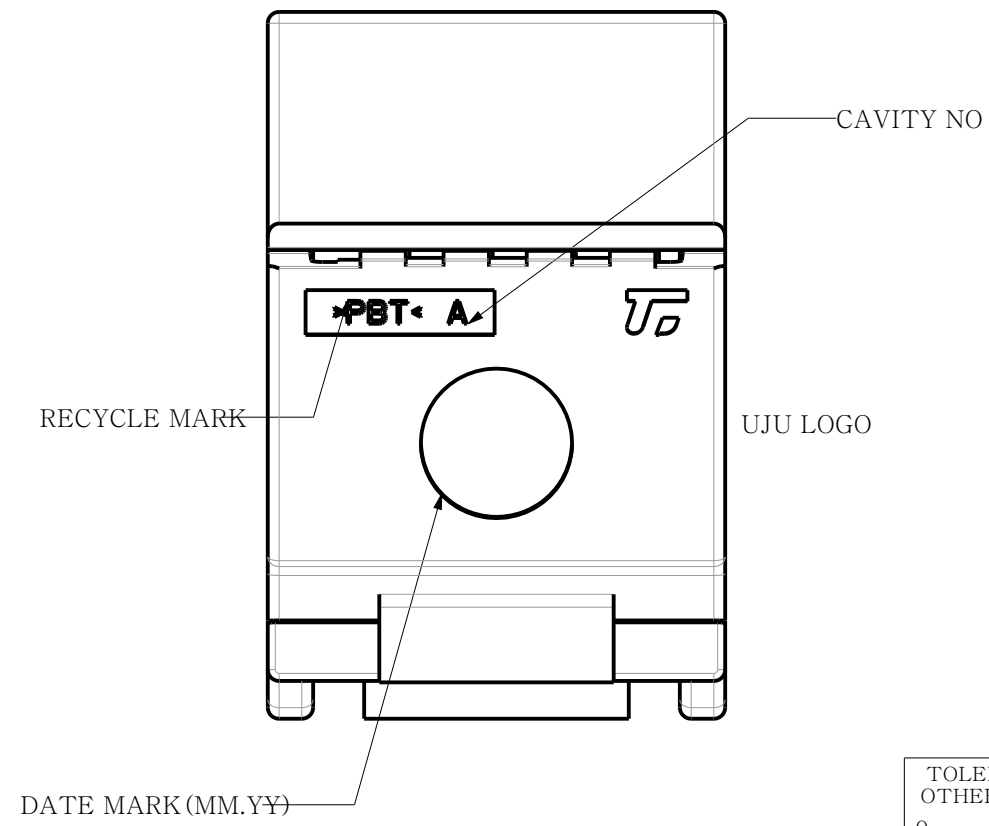
TOLERANCE								
10MAX	30MAX	50MAX	70MAX	100MAX	120MAX	250MAX	250VR	ANGLE
±0.15	±0.20	±0.30	±0.40	±0.50	±0.75	±0.9	±1.4	±0.5°

TABLE-1

DESCRIPTION	PART NO.	CODE	MATERIAL	FINISH/COLOR
025_D_4F_ASSY	KH1900005-10	A	PBT	NATURAL
	KH1900005-21	B		BLACK

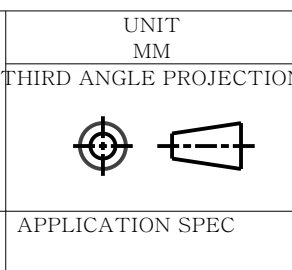
TABLE-2

DESCRIPTION	PART NO.	WIRE RANGE	MATERIAL	FINISH
025_D_FEMALE_TERMINAL	KH1800045-21	0.3 ~ 0.5 SQ	COPPER ALLOY	PRE-TIN



- NOTE
- GENERAL TOLERANCE : SEE TABLE TOLERANCE
  - DELIVERY CONDITION : TPA FIRST LOCK POSITION
  - HSG DESCRIPTION : SEE TABLE-1
  - APPLICABLE RECEPTACLE TERMINAL : TABLE-2
  - REFERENCE MATING CONNECTOR IS KH1400031 OR KH1400037

TOLERANCES UNLESS OTHERWISE SPECIFIED	UNIT MM
0	±
0.0	±
0.00	±
0.000	±
0.0000	±
ANGLES	±
PRODUCT SPEC	APPLICATION SPEC



DRWN	CHKD	APVD	NAME	
HS.LEE	SH.LEE	CY.CHOI	025_D_4F_ASSY	
			CUSTOMER DRAWING	DRAWING NO
				KH1900005
LOC	RESTRICTED TO	SIZE	SCALE	SHEET
		A2	5:1	1 OF 1
				REV
				3