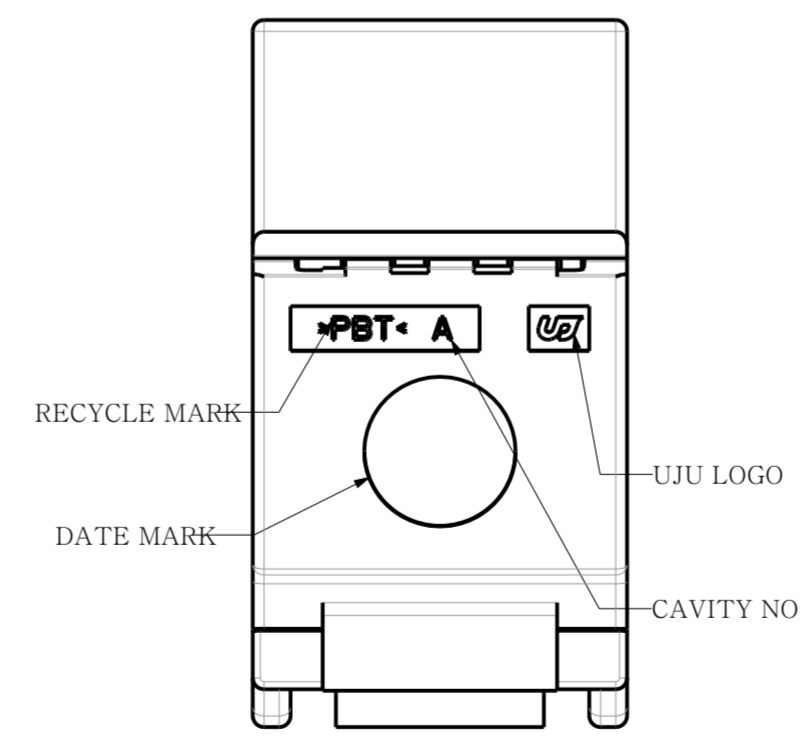
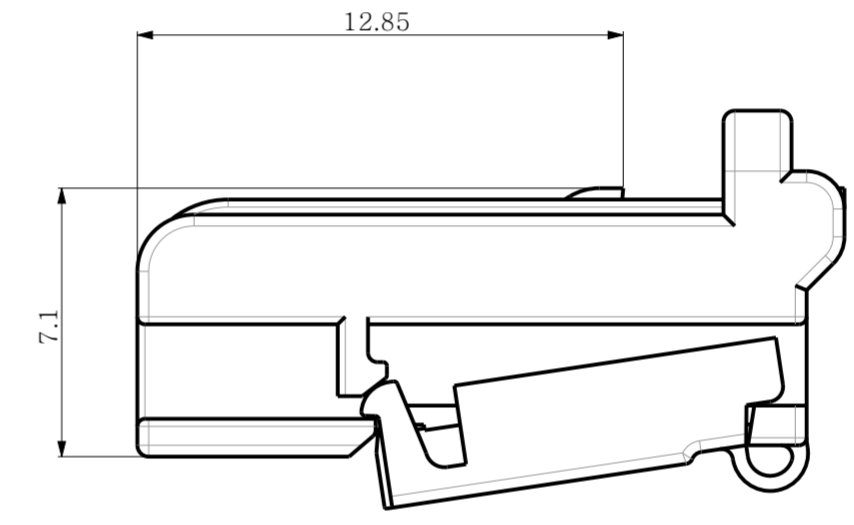
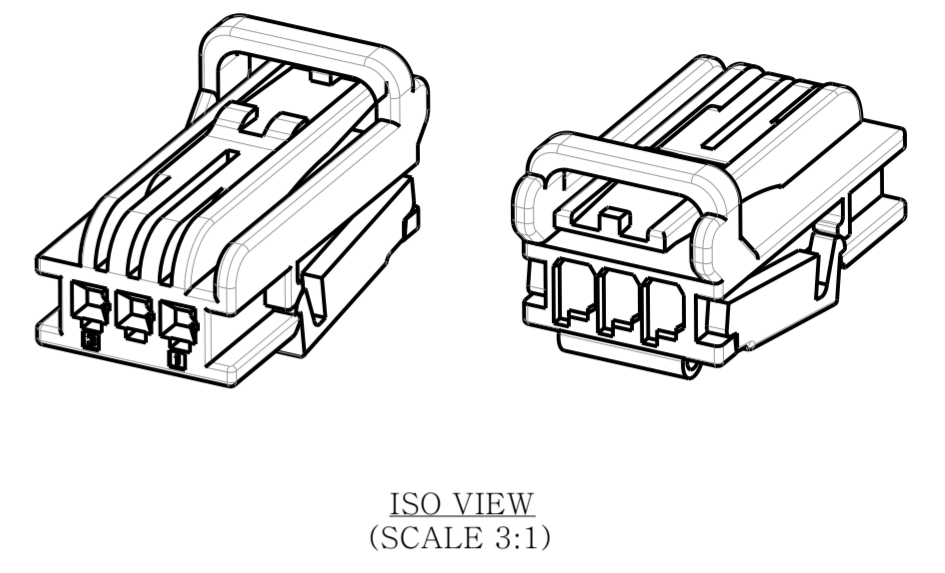
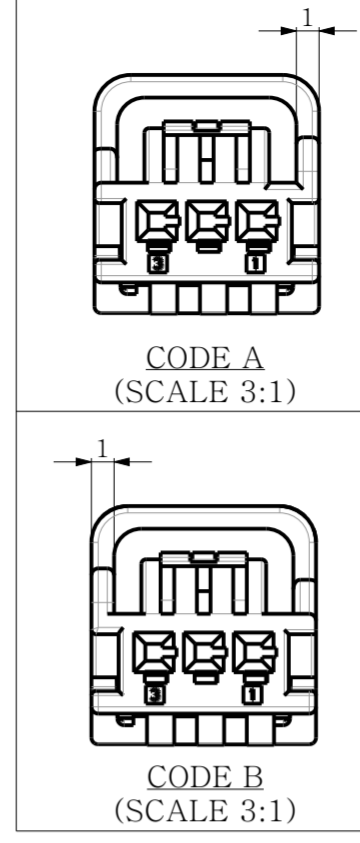
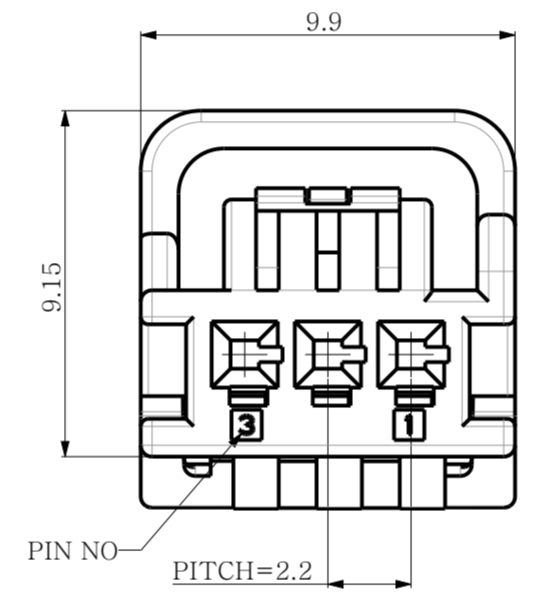
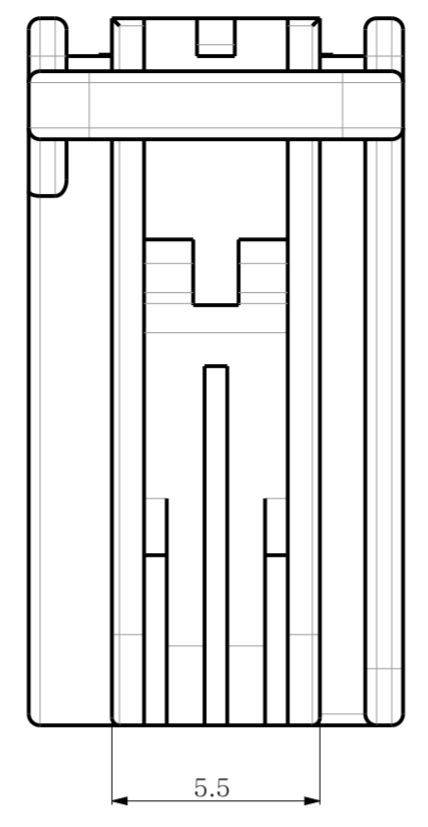
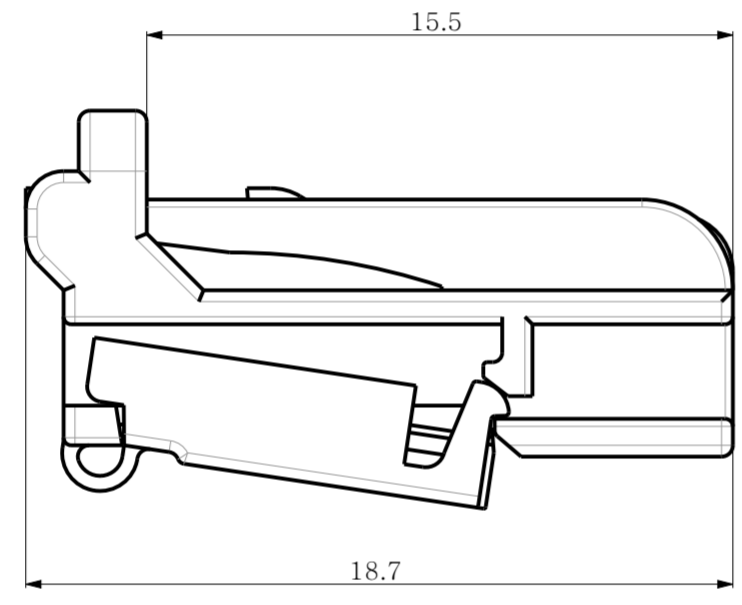
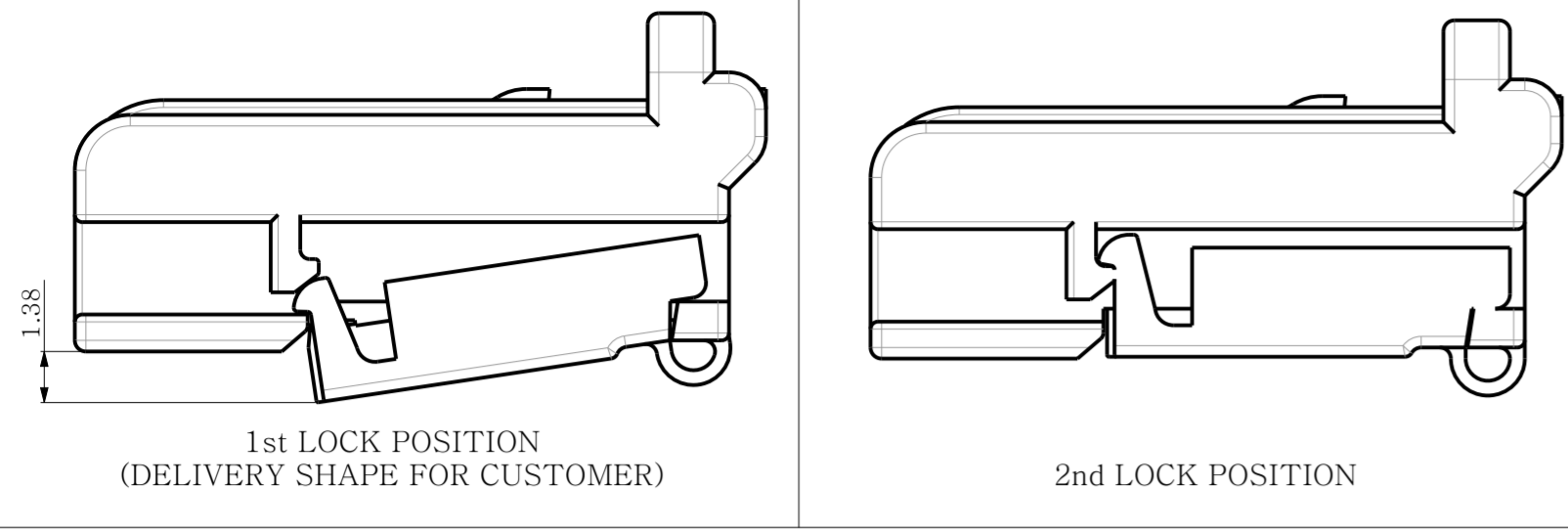


TPA LOCKING POSITION



REV	REVISION RECORD	DATE	DRWN	CHKD	APVD
1	EC NO (RD-2019-053)	13MAR'19	HS	SH	CY
2	EC NO (RD-2019-084)	28MAY'19	JH	KH	CY
3	EC NO (RD-2019-130)	23AUG'19	JH	KH	CY

TOLERANCE								
10MAX	30MAX	50MAX	70MAX	100MAX	120MAX	250MAX	250VR	ANGLE
±0.15	±0.20	±0.30	±0.40	±0.50	±0.75	±0.9	±1.4	±0.5°


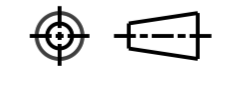
TABLE-1

DESCRIPTION	PART NO.	CODE	MATERIAL	FINISH/COLOR
025_D_3F_ASSY	KH1900003-10	A	PBT	NATURAL
	KH1900003-21	B		BLACK

TABLE-2

DESCRIPTION	PART NO.	WIRE RANGE	MATERIAL	FINISH
025_D_FEMALE_TERMINAL	KH1800045-21	0.3 ~ 0.5 SQ	COPPER ALLOY	PRE-TIN

- NOTE
1. GENERAL TOLERANCE : SEE TABLE TOLERANCE
 2. DELIVERY CONDITION : TPA FIRST LOCK POSITION
 3. HSG DESCRIPTION : SEE TABLE-1
 4. APPLICABLE RECEPTACLE TERMINAL : SEE TABLE-2
 5. REFERENCE MATING CONNECTOR IS KH1400029 OR KH1400035

TOLERANCES UNLESS OTHERWISE SPECIFIED		UNIT MM	DRWN HS.LEE	 (주)우주일렉트로닉스 UJU Electronics co.,Ltd.							
0 ± 0.0 ± 0.00 ± 0.000 ± 0.0000 ± ANGLES ±		THIRD ANGLE PROJECTION 	CHKD SH.LEE						APVD CY.CHOI	NAME 025_D_3F_ASSY	
PRODUCT SPEC	APPLICATION SPEC	WEIGHT	DRAWING NO KH1900003		CUSTOMER	DRAWING	RESTRICTED TO	SIZE A2	SCALE 5:1	SHEET 1 OF 1	REV 3