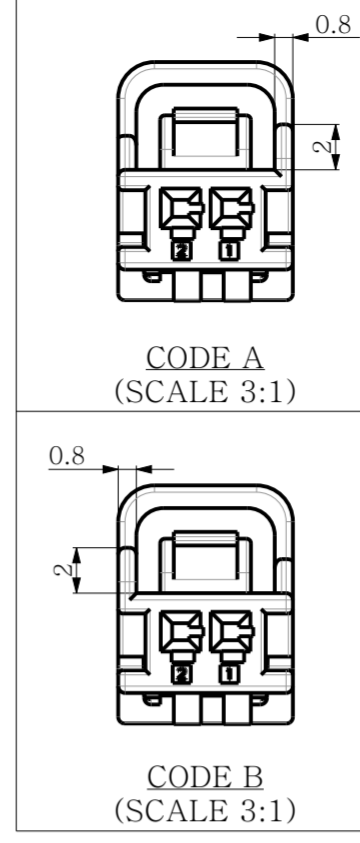
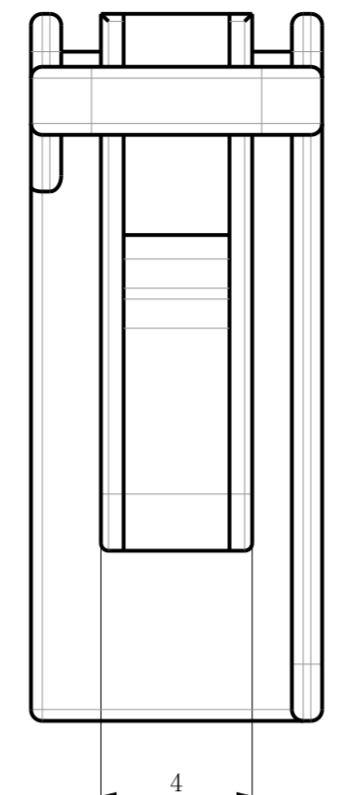
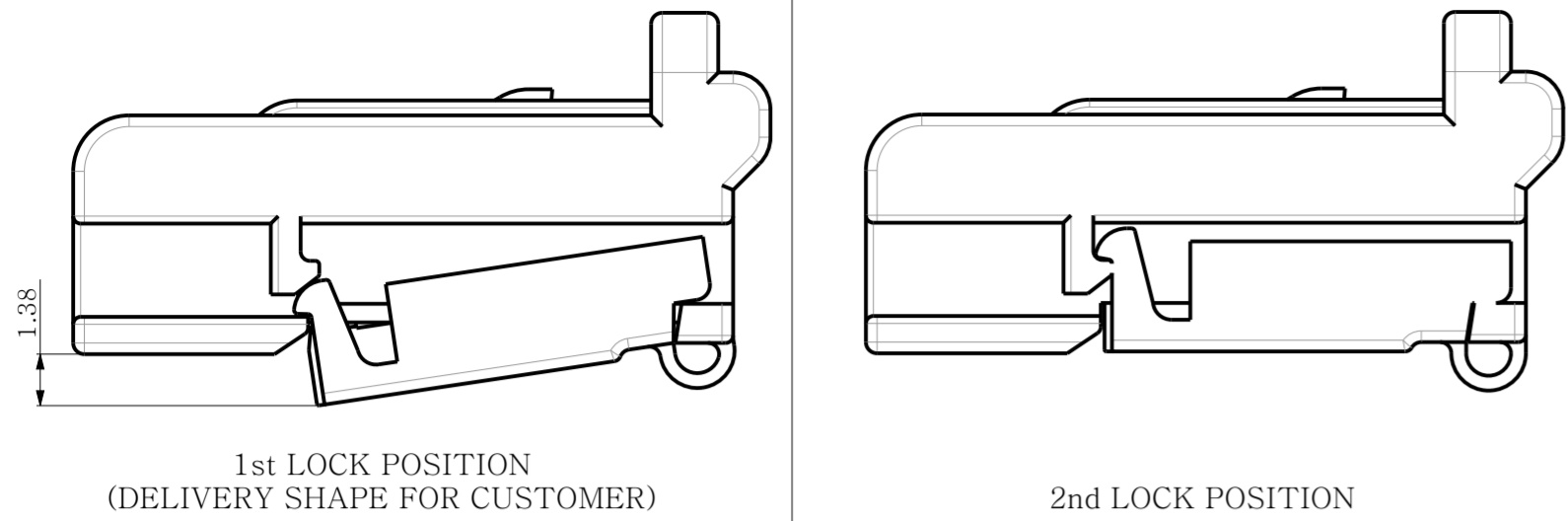
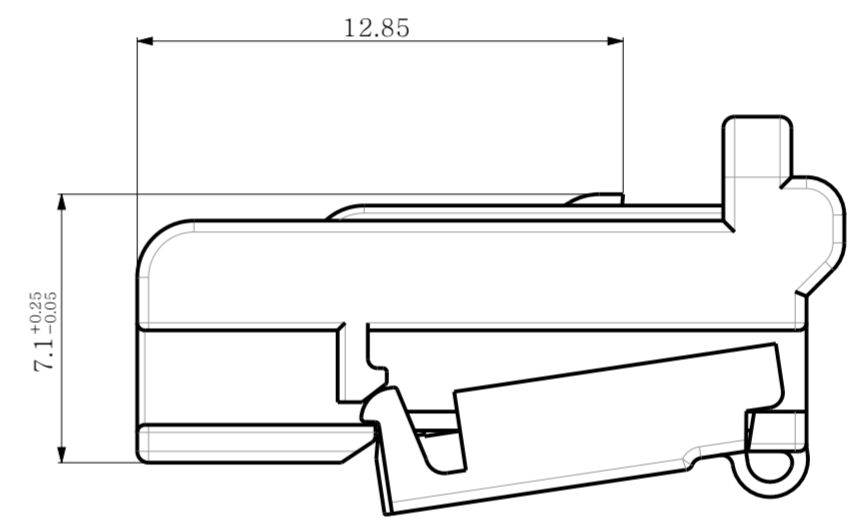
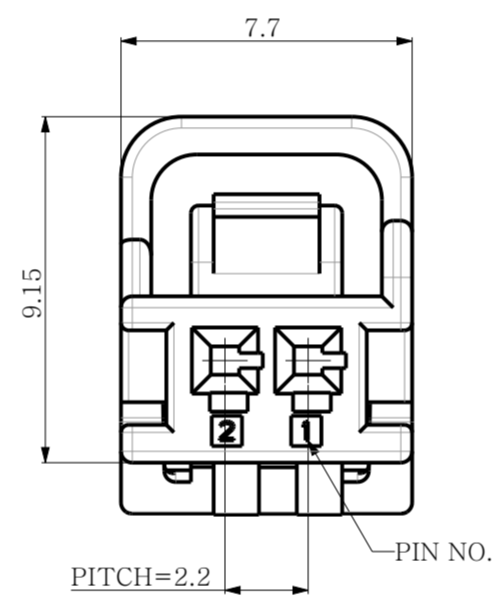
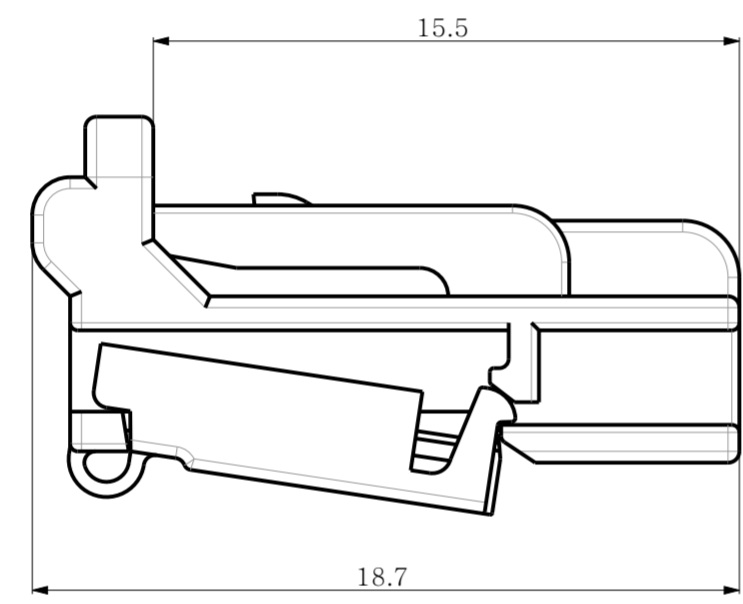
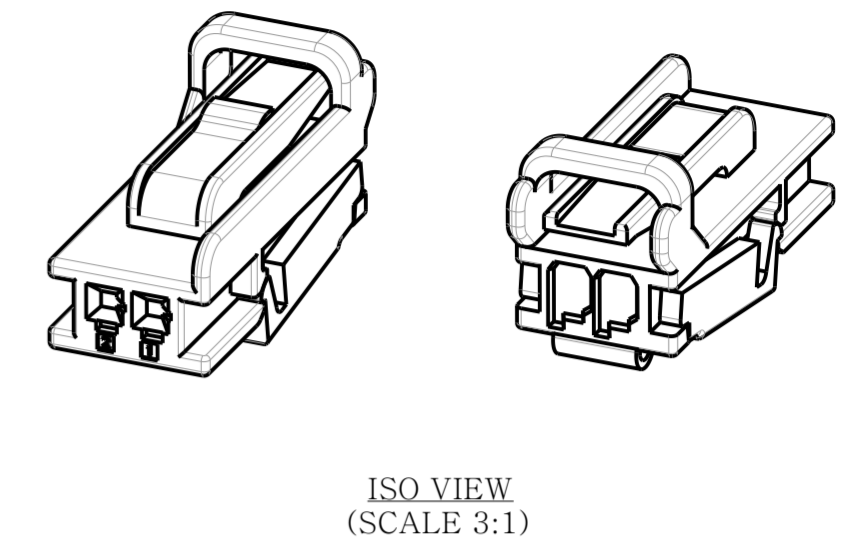


TPA LOCKING POSITION



REV	REVISION RECORD	DATE	DRWN	CHKD	APVD
A	RELEASED (RD-2019-041)	15MAR'19	HS	SH	CY



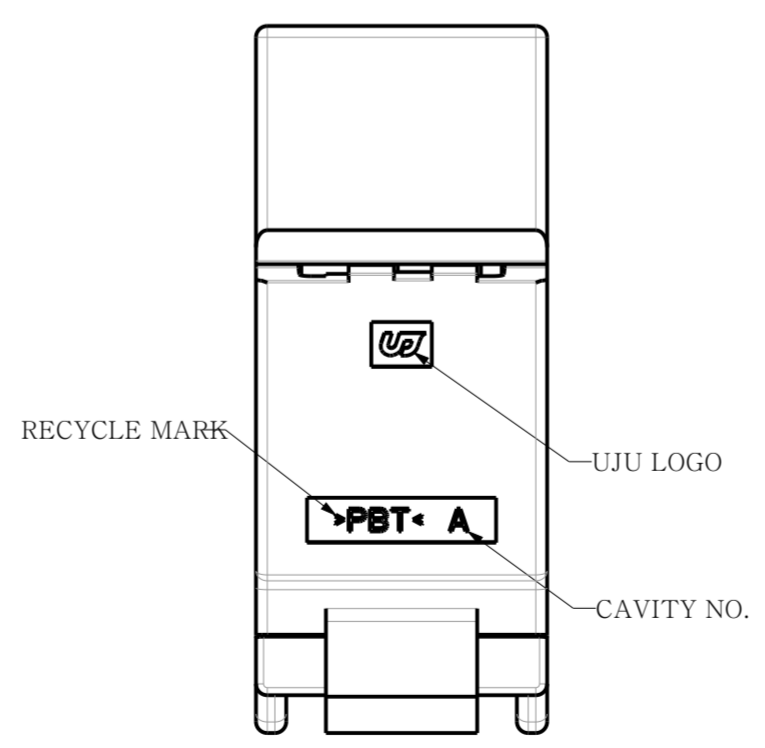
TOLERANCE								
10MAX	30MAX	50MAX	70MAX	100MAX	120MAX	250MAX	250VR	ANGLE
±0.15	±0.20	±0.30	±0.40	±0.50	±0.75	±0.9	±1.4	±0.5°

TABLE-1

DESCRIPTION	PART NO.	CODE	MATERIAL	FINISH/COLOR
025_D_2F_ASSY	KH1800056-10	A	PBT	NATURAL
	KH1800056-21	B		BLACK

TABLE-2

DESCRIPTION	PART NO.	WIRE RANGE	MATERIAL	FINISH
025_D_FEMALE_TERMINAL	KH1800045-21	0.3 ~ 0.5 SQ	COPPER ALLOY	PRE-TIN



- NOTE
1. GENERAL TOLERANCE : SEE TABLE TOLERANCE
 2. DELIVERY CONDITION : TPA FIRST LOCK POSITION
 3. HSG DESCRIPTION : SEE TABLE-1
 4. APPLICABLE RECEPTACLE TERMINAL : TABLE-2
 5. REFERENCE MATING CONNECTOR IS KH1400027 OR KH1400033

TOLERANCES UNLESS OTHERWISE SPECIFIED	UNIT	MM	MATERIAL	NAME					
	THIRD ANGLE PROJECTION			SEE TABLE-1	025_D_2F_ASSY				
PRODUCT SPEC	APPLICATION SPEC		FINISH/COLOR	CUSTOMER DRAWING		DRAWING NO.			
			SEE TABLE-1	DRAWING		KH1800056			
			WEIGHT	LOC	RESTRICTED TO	SIZE	SCALE	SHEET	REV
						A2	5:1	1 OF 1	A