

TOLERANCE								
10MAX	30MAX	50MAX	70MAX	100MAX	120MAX	250MAX	250VR	ANGLE
±0.15	±0.20	±0.30	±0.40	±0.50	±0.75	±0.9	±1.4	±0.5도

REV	REVISION RECORD	DATE	DRWN	CHKD	APVD
A	REVISED(RD-2016-036)	26.OCT.16	KH	-	SJ
B	REVISED(RD-2018-051)	02.JUL.18	TH	DR	MJ

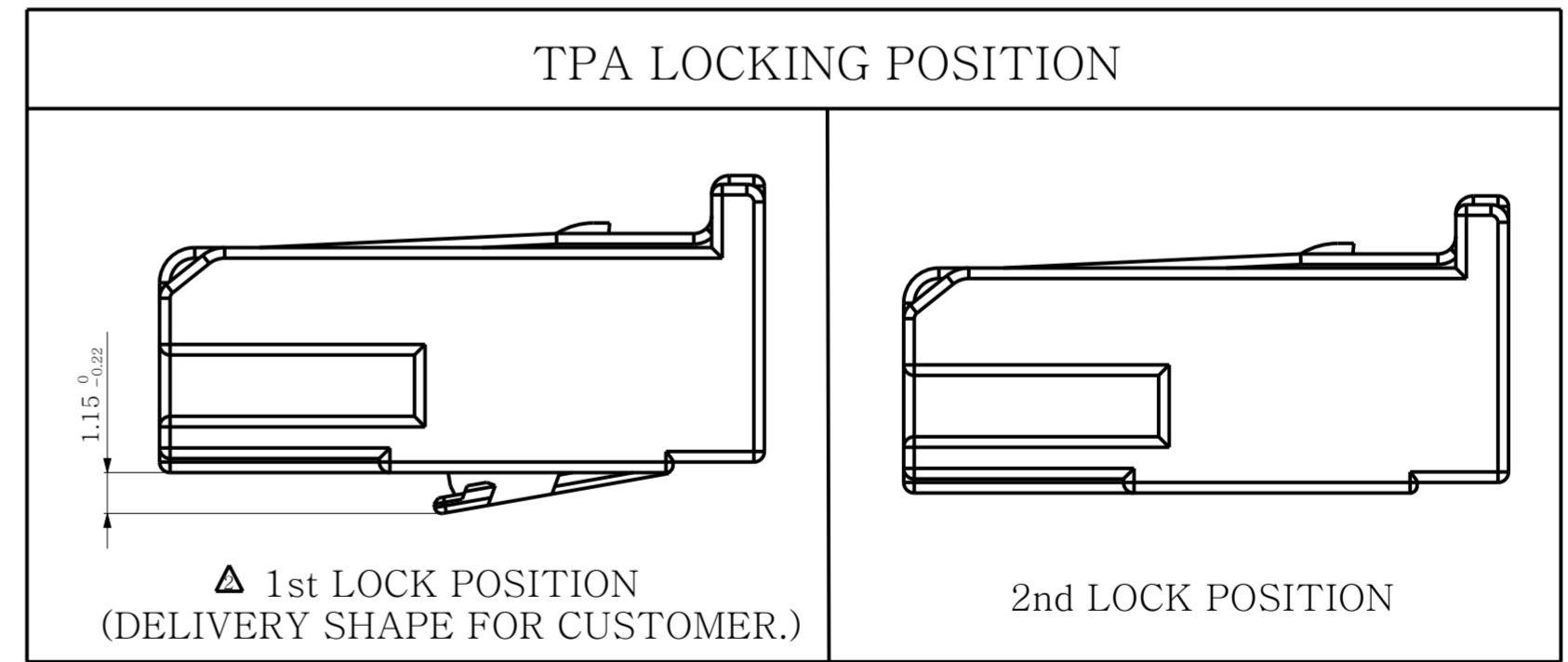
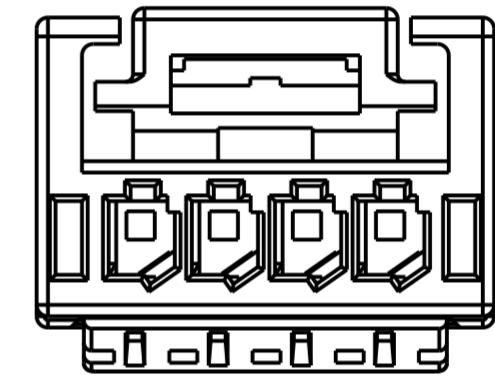
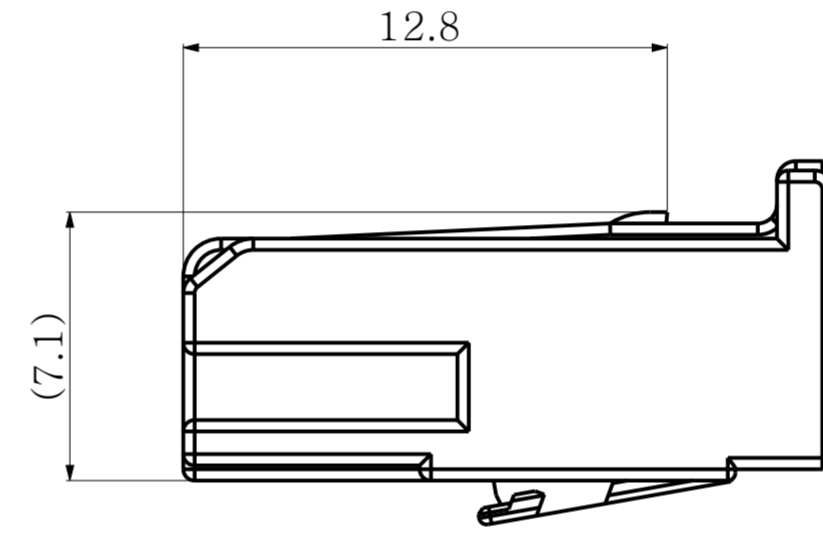
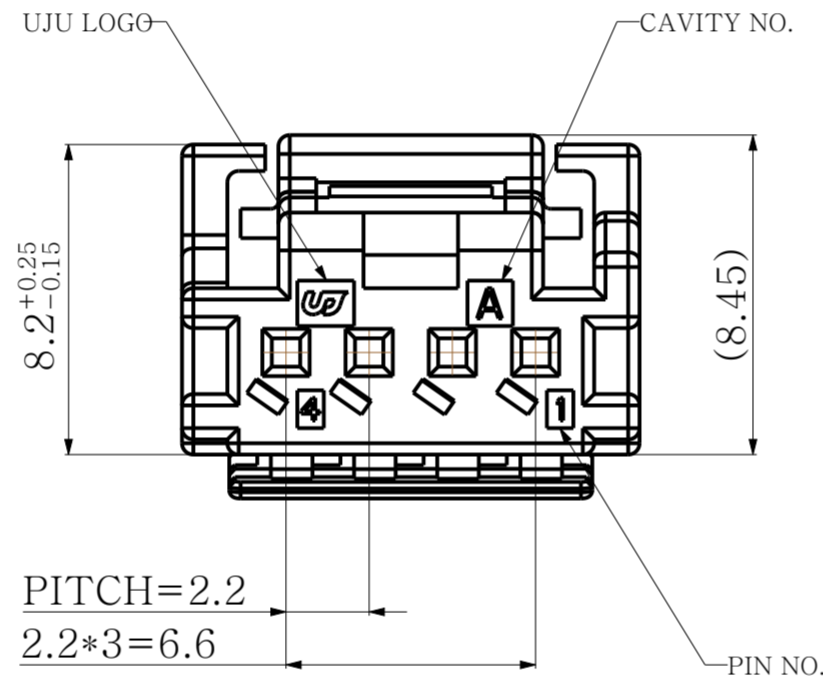
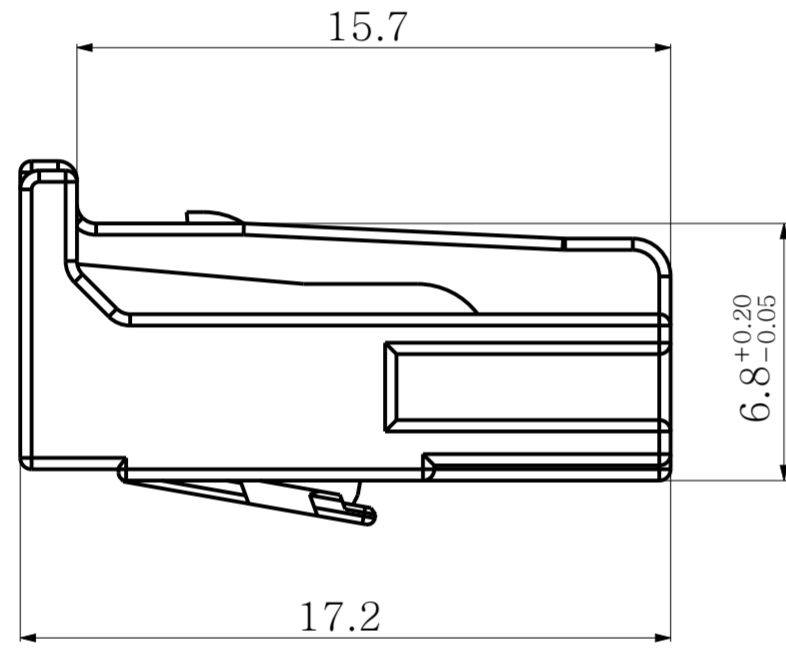
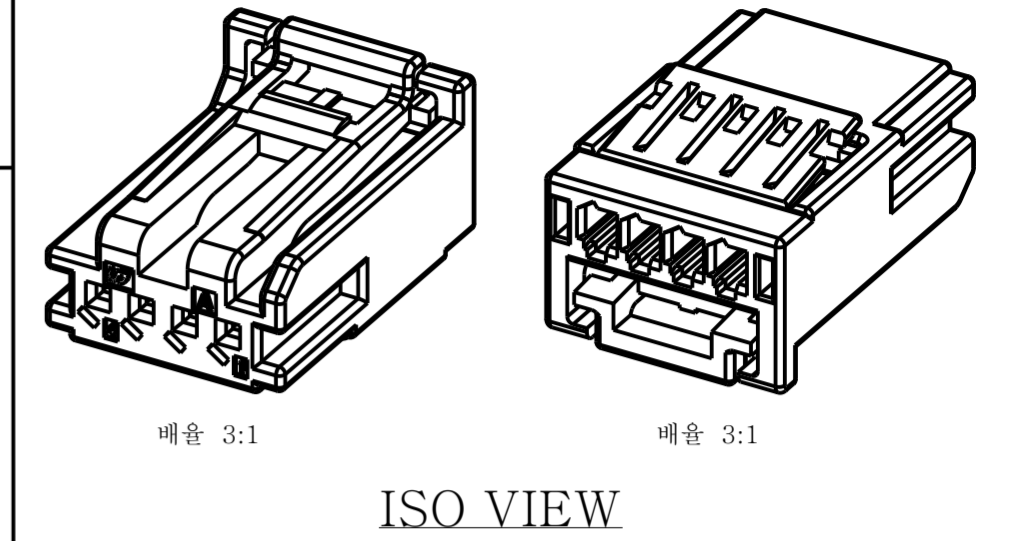
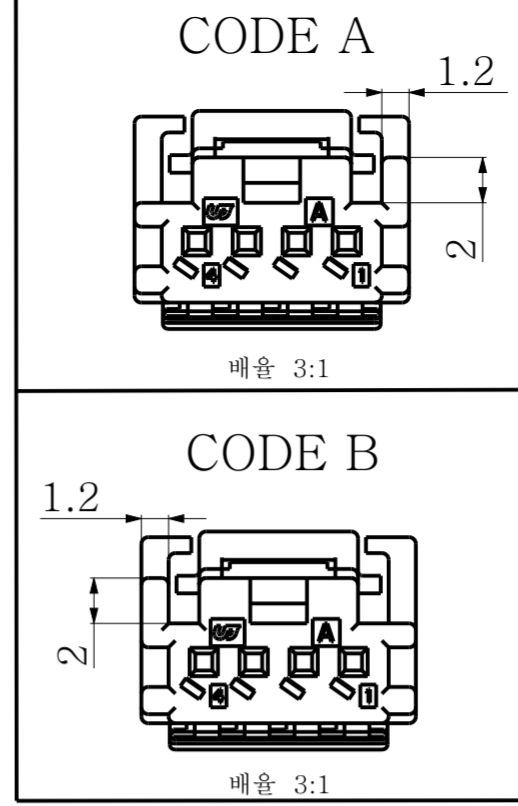
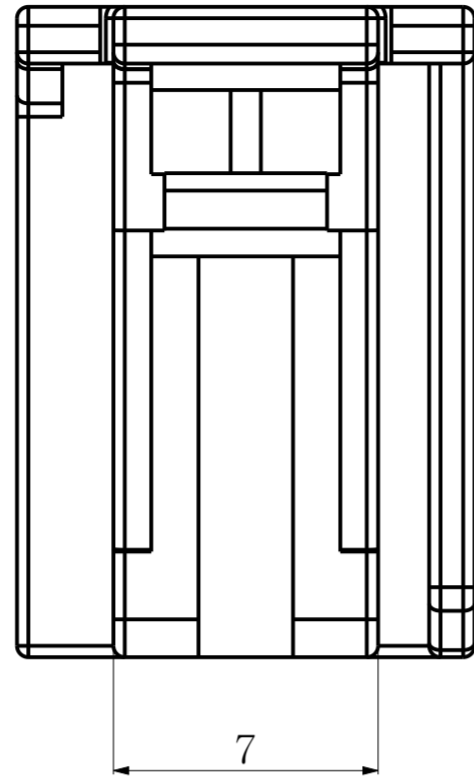


TABLE 1

DESCRIPTION	PART. NO.	CODE	MATERIAL	FINISH/COLOR
025 4F ASSY	KH1400043-21	B	PBT	BLACK
	KH1400043-10	A		NATURAL

TABLE 2

DESCRIPTION	PART. NO.	WIRE RANGE	MATERIAL	FINISH
025 FEMALE TERMINAL	KH1200031-21	0.3 ~ 0.5 SQ	Cu Alloy	Pre-TIN
	KH1200031-20	0.22 SQ	Cu Alloy	Pre-TIN

NOTE

- GENERAL TOLERANCE : SEE TABLE TOLERANCE
- DELIVERY CONDITION : TPA FIRST LOCK POSITION
- APPLICABLE RECEPTACLE TERMINAL : TABLE-2

TOLERANCES UNLESS OTHERWISE SPECIFIED 0 ± 0.0 ± 0.000 ± 0.0000 ± ANGLES ± PRODUCT SPEC	UNIT MM THIRD ANGLE PROJECTION	DRWN TH.LEE	(주)우주 일렉트로닉스 UJU Electronics co.,Ltd.			
		CHKD DR.KOO				
		APVD MJ.BANG	NAME		025 4F ASSY	
		MATERIAL SEE TABLE 1	CUSTOMER		DRAWING NO	
FINISH/COLOR SEE TABLE 1	DRAWING		KH1400043			
WEIGHT 1.1g	LOC	RESTRICTED TO	SIZE A2	SCALE 5:1	SHEET 1 of 1	
	APPLICATION SPEC				REV B	