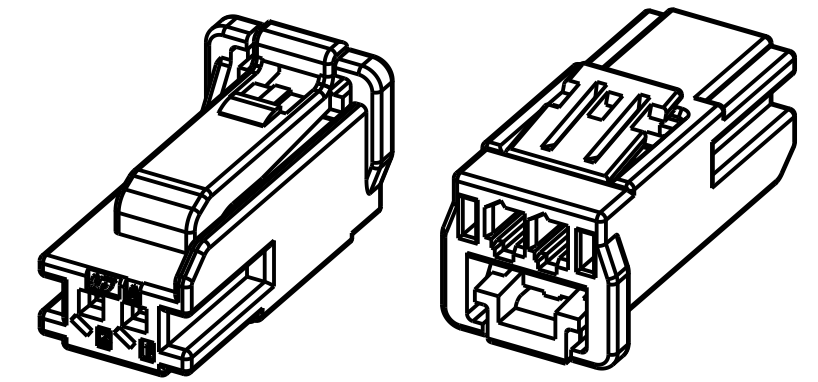
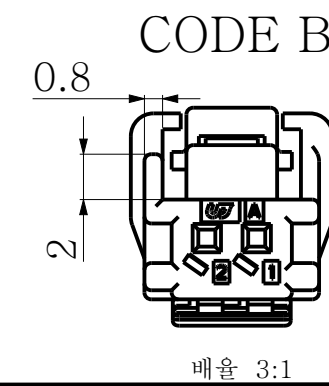
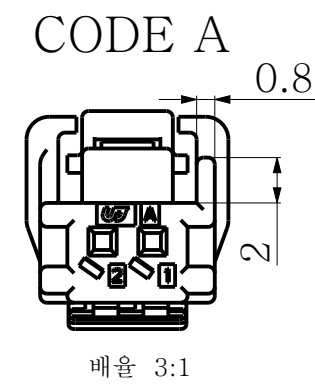
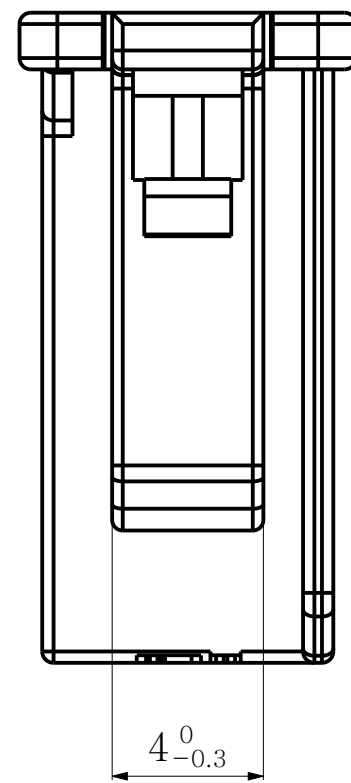


TOLERANCE								
10MAX	30MAX	50MAX	70MAX	100MAX	120MAX	250MAX	250VR	ANGLE
±0.15	±0.20	±0.30	±0.40	±0.50	±0.75	±0.9	±1.4	±0.5도

REV	REVISION RECORD	DATE	DRWN	CHKD	APVD
A	REVISED(RD-2016-36)	26.OCT.16	KH	KH	SJ
B	REVISED(RD-2018-51)	02.JUL.18	TH	DR	MJ



ISO VIEW

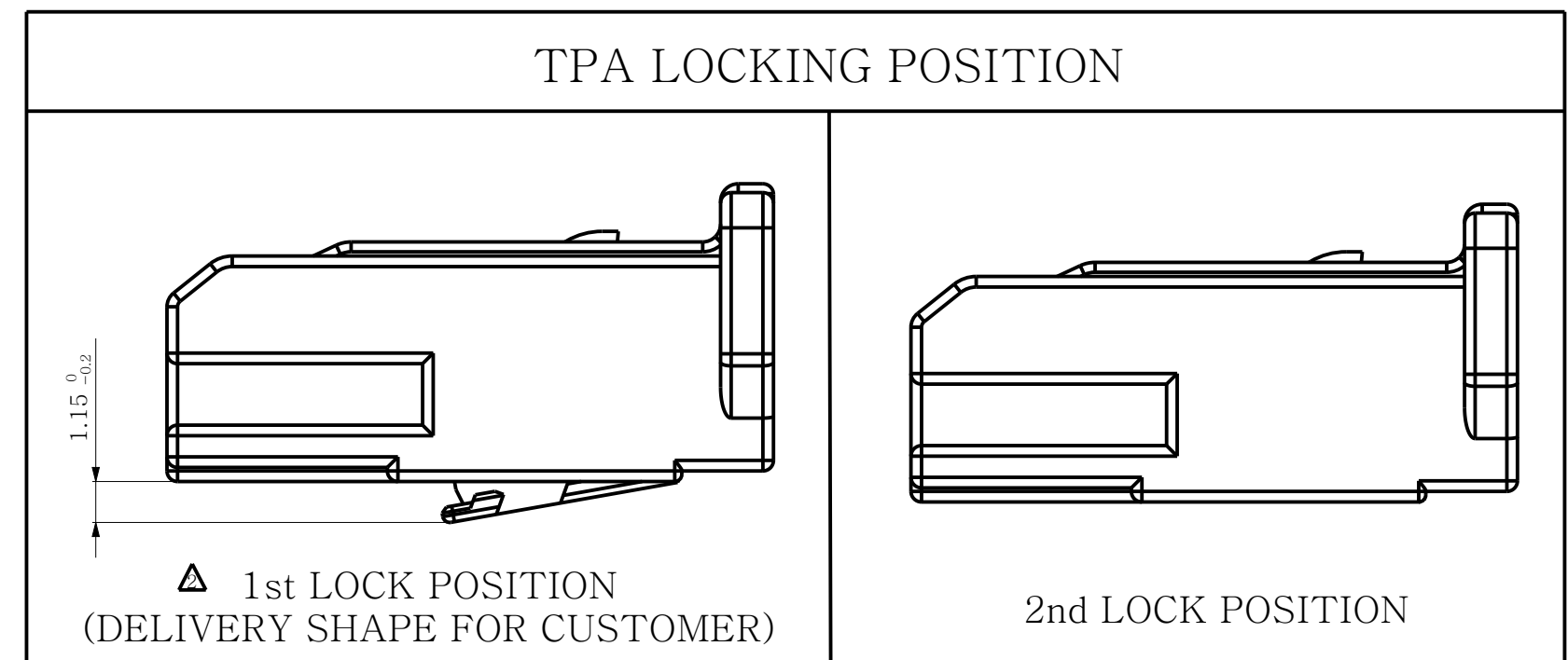
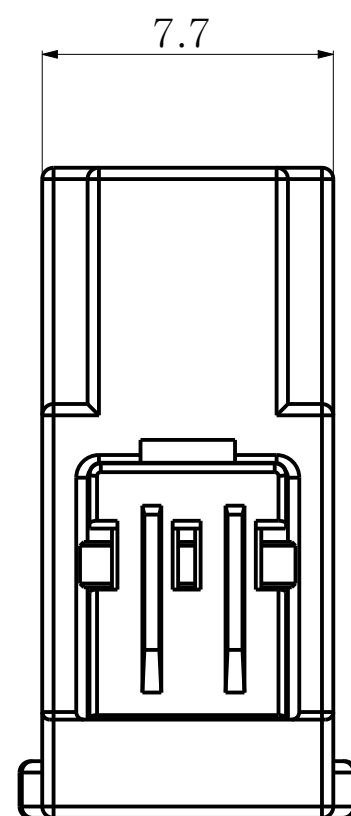
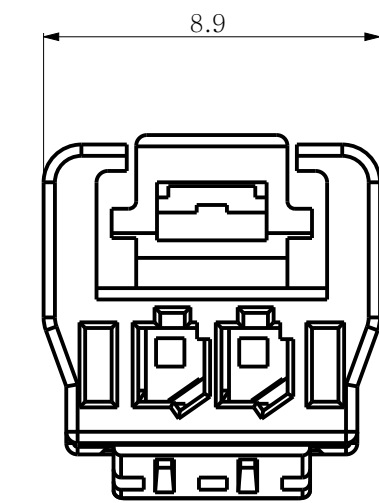
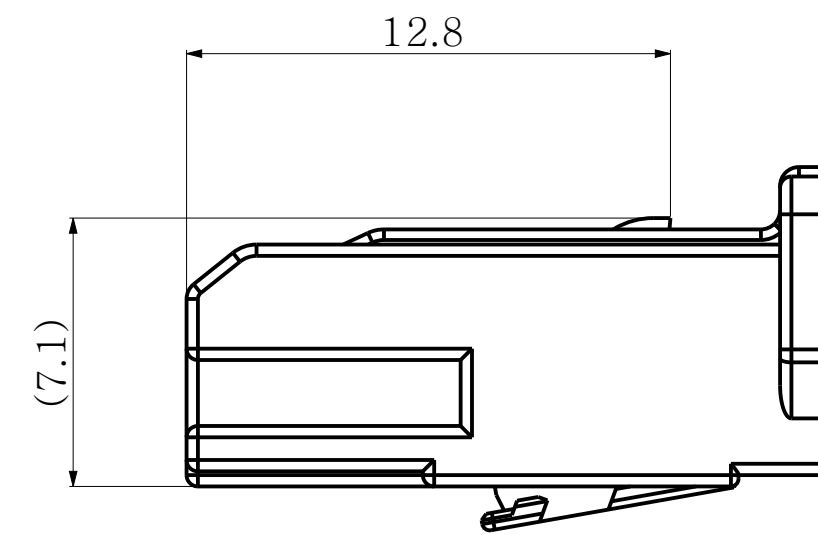
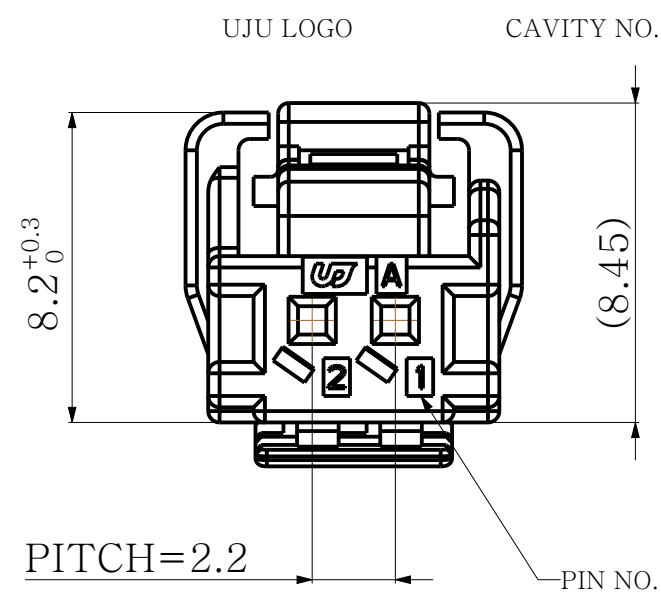
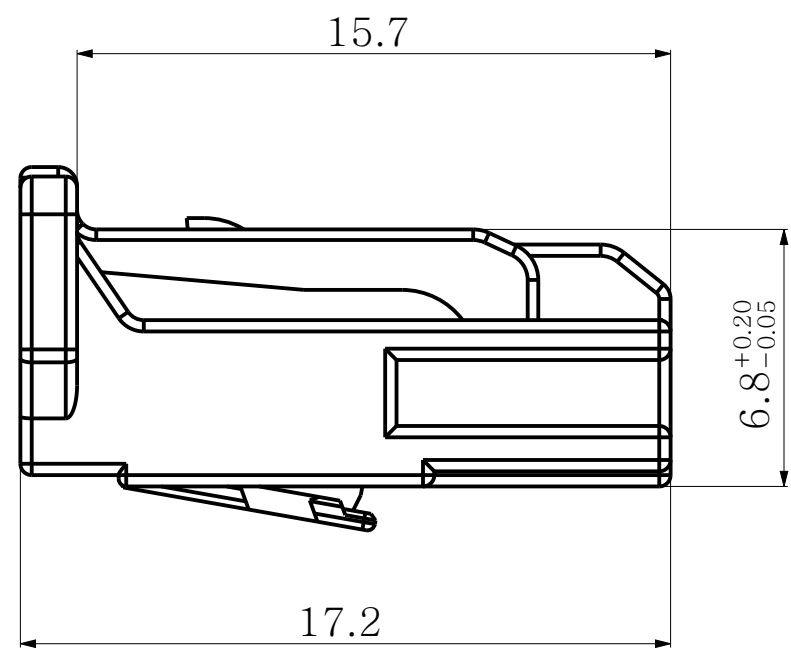


TABLE 1

DESCRIPTION	PART. NO.	CODE	MATERIAL	FINISH/COLOR
025 2F ASSY	KH1400039-21	B	PBT	BLACK
	KH1400039-10	A		NATURAL

TABLE 2

DESCRIPTION	PART. NO.	WIRE RANGE	MATERIAL	FINISH
025 FEMALE TERMINAL	KH1200031-21	0.3 ~ 0.5 SQ	Cu Alloy	Pre-TIN
	KH1200031-20	0.22 SQ	Cu Alloy	Pre-TIN

NOTE

- GENERAL TOLERANCE : SEE TABLE TOLERANCE
- DELIVERY CONDITION : TPA FIRST LOCK POSITION
- APPLICABLE RECEPTACLE TERMINAL : TABLE-2

TOLERANCES UNLESS OTHERWISE SPECIFIED	0	±	UNIT	MM	DRWN	TH.LEE	(주)우주 일렉트로닉스 UJU Electronics co.,Ltd.
	0.0	±	THIRD ANGLE PROJECTION		CHKD	DR.KOO	
	0.000	±	PRODUCT SPEC	APPLICATION SPEC	APVD	MJ.BANG	
	0.0000	±	ANGLE		MATERIAL	SEE TABLE 1	
0.0000	±	PRODUCT SPEC	APPLICATION SPEC	FINISH/COLOR	SEE TABLE 1	CUSTOMER	DRAWING NO.
0.0000	±	PRODUCT SPEC	APPLICATION SPEC	WEIGHT	0.7g	DRAWING	KH1400039
0.0000	±	PRODUCT SPEC	APPLICATION SPEC	LOC	RESTRICTED TO	SIZE	A2
0.0000	±	PRODUCT SPEC	APPLICATION SPEC	SCALE	5:1	SHEET	1 of 1
0.0000	±	PRODUCT SPEC	APPLICATION SPEC	REV			B