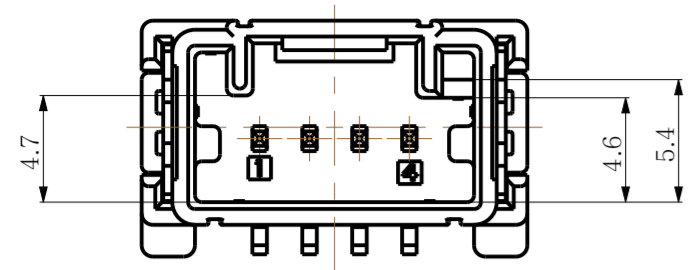
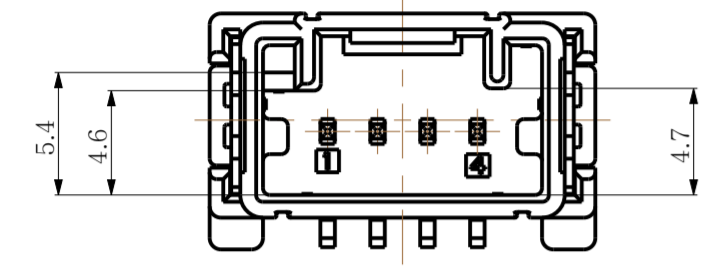


PCB PATTERN

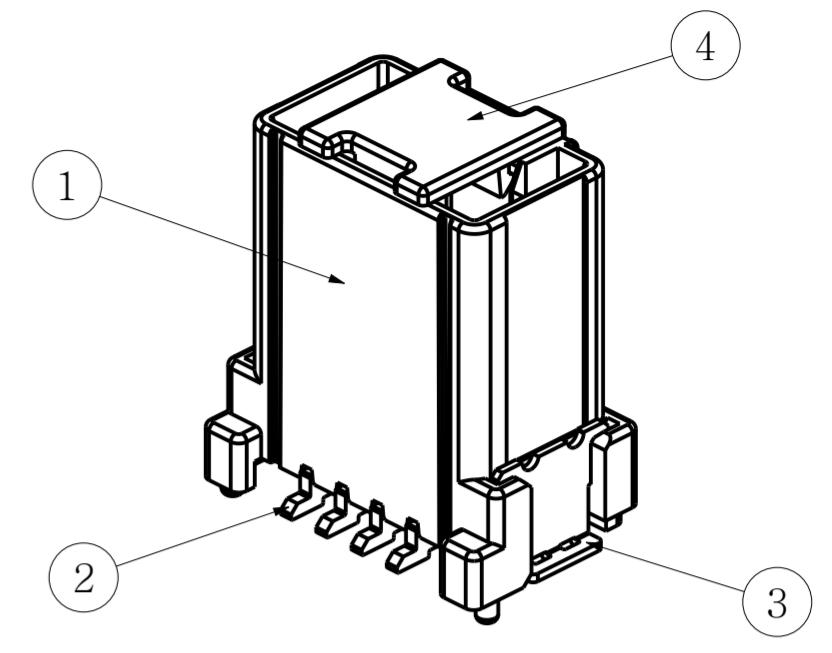
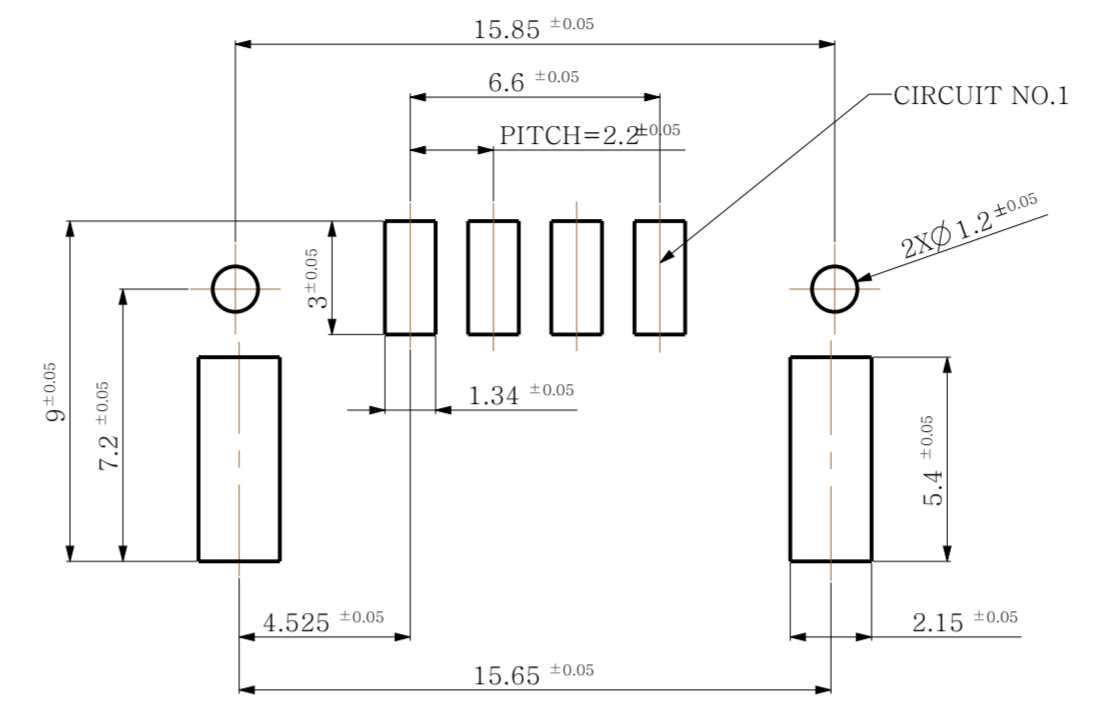
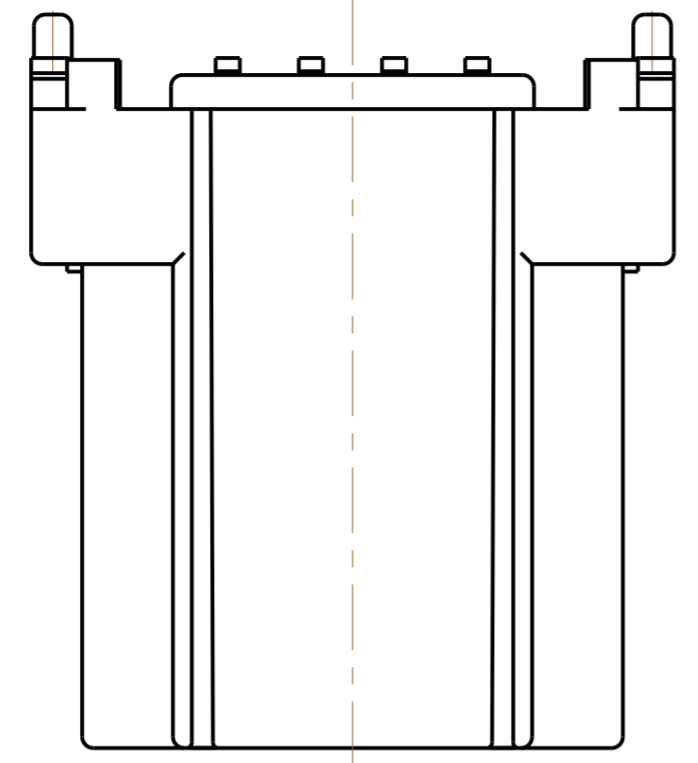
REV	REVISION RECORD	DATE	DRWN	APVD
3	REVISED	25 FEB'15	GR	SJ
4	ENGINEERING REVISED	10 JUN'16	KH	SJ



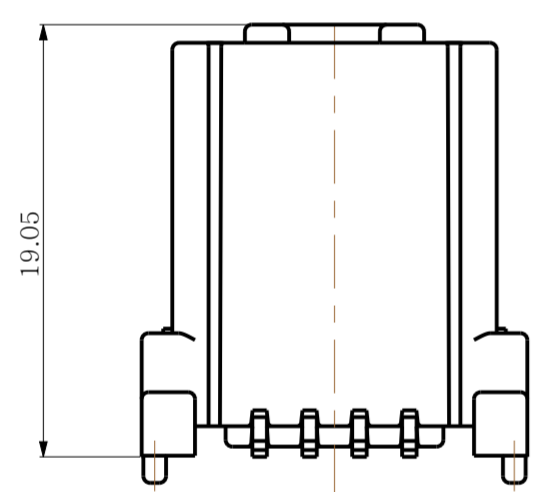
CODE A
SCALE 3:1



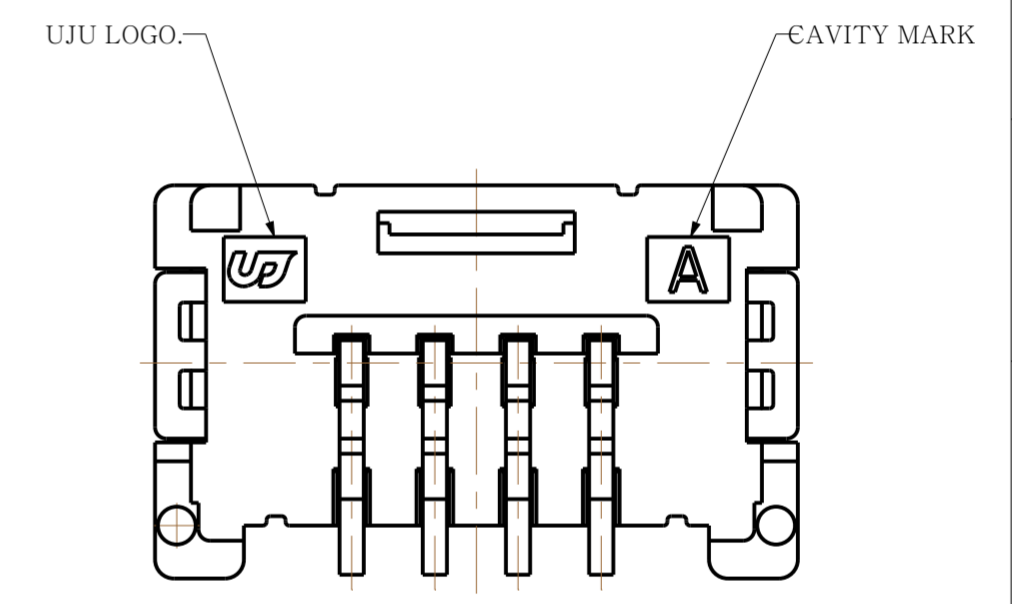
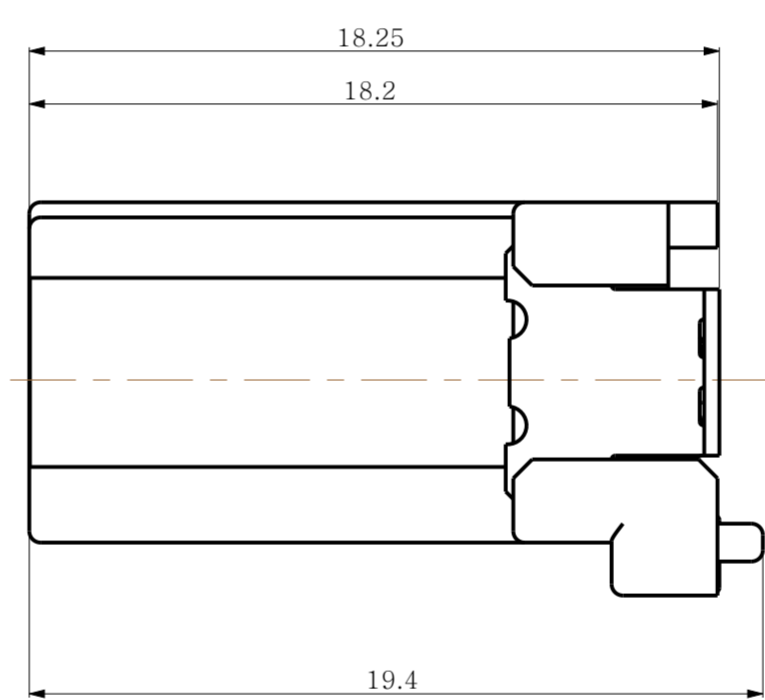
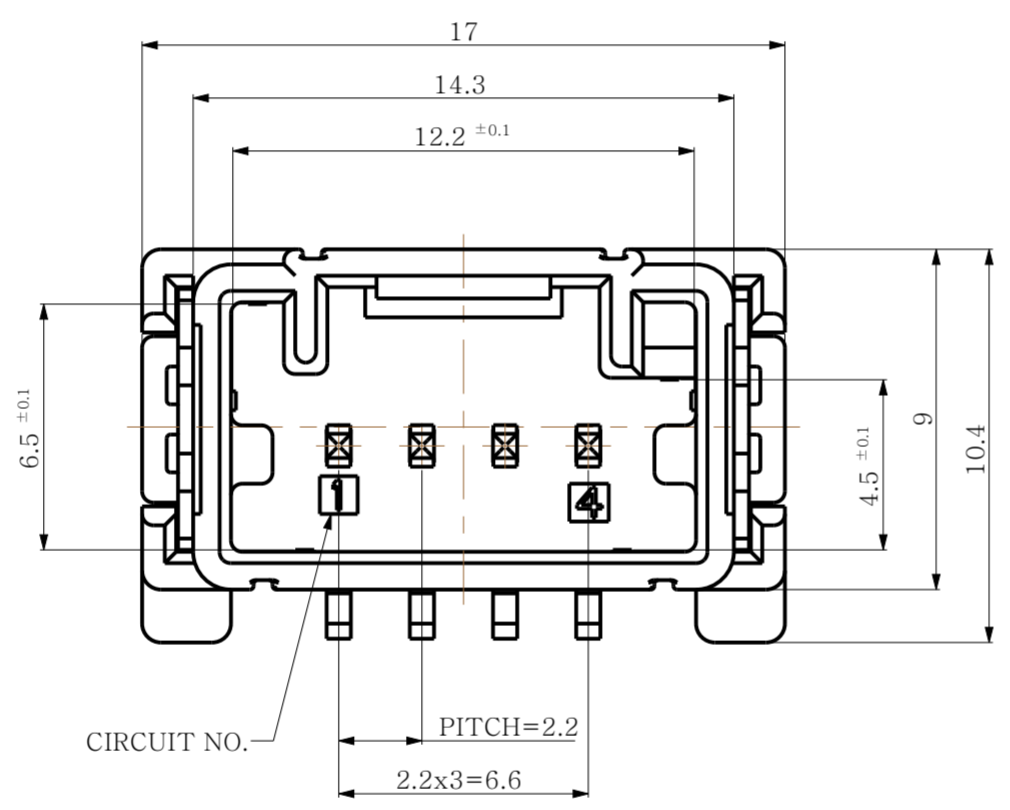
CODE B
SCALE 3:1



ISO VIEW
SCALE 3:1



WITH COVER



- NOTE
- General Tolerance : SEE TABLE TOLERANCE
 - HSG DESCRIPTION : SEE TABLE
 - MATERIAL
 - HDR HSG : PPA-GF15
 - SOLDER PEG : COPPER ALLOY (POST-TIN)
 - TAB TML : COPPER ALLOY (POST-TIN)

B	A	CODE
KH1400037-21	KH1400037-10	ASSY PART NO.
025 SMT 4M HDR ASSY (VTC)	025 SMT 4M HDR ASSY (VTC)	ASSY DESCRIPTION

TABLE

NO.	DESCRIPTION	PART NO.	CODE	MATERIAL	FINISH/COLOR	Q'TY	Q'TY
4	025 SMT HDR COVER (VTC)	KM1400021-20	-	PPA GF15	BLACK	1	1
3	025 SMT SOLDER PEG-LEFT (VTC)	KM1300034-21	-	BRASS	POST-TIN	1	1
	025 SMT SOLDER PEG-RIGHT (VTC)	KM1300034-20	-	BRASS	POST-TIN	1	1
2	025 SMT TAB TML (VTC)	KM1300033-20	-	BRASS	POST-TIN	4	4
1	025 SMT 4M HDR HSG (VTC)	KM1400038-21	B	PPA GF15	BLACK	1	-
	025 SMT 4M HDR HSG (VTC)	KM1400038-10	A	PPA GF15	NATURAL	-	1

TOLERANCE	10MAX	30MAX	50MAX	70MAX	100MAX	120MAX	250MAX	250VR	ANGLE
	±0.15	±0.20	±0.30	±0.40	±0.50	±0.75	±0.9	±1.4	±0.5°

TOLERANCES UNLESS OTHERWISE SPECIFIED	UNIT	MM	DRWN	KH.PARK	
	THIRD ANGLE PROJECTION		CHKD	CY.CHOI	
PRODUCT SPEC	APPLICATION SPEC		APVD	SJ.SONG	
	WEIGHT		MATERIAL	SEE TABLE	
			FINISH/COLOR	SEE TABLE	
			CUSTOMER	UJU Electronics co.,Ltd.	
			DRAWING NO.	KH1400037	
			DRAWING	LOC	RESTRICTED TO
			SIZE	SCALE	SHEET
			A2	5:1	1 of 4