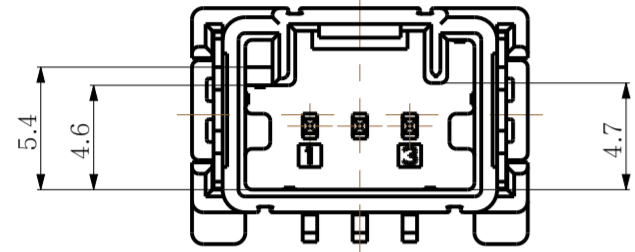
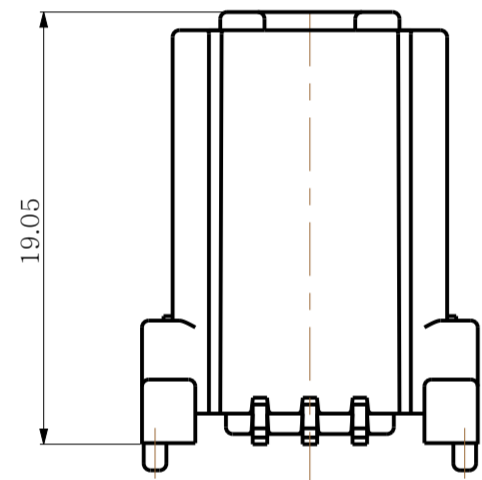


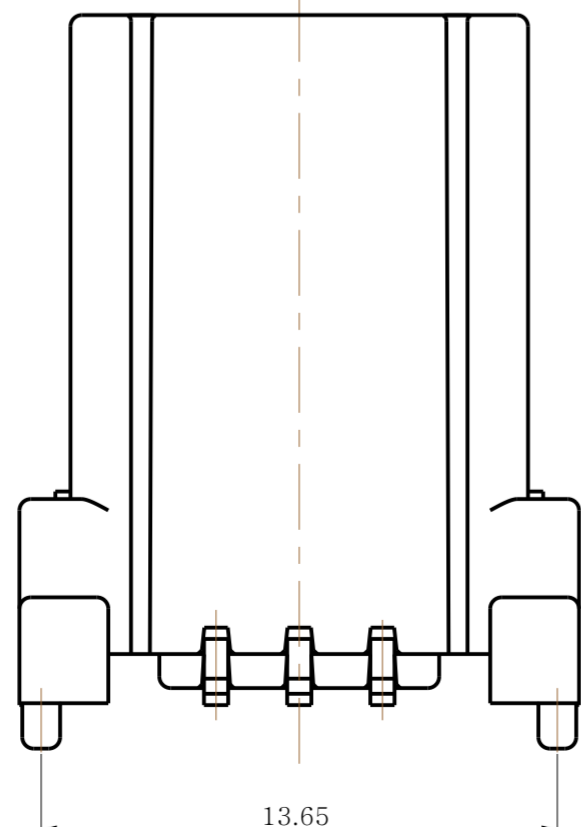
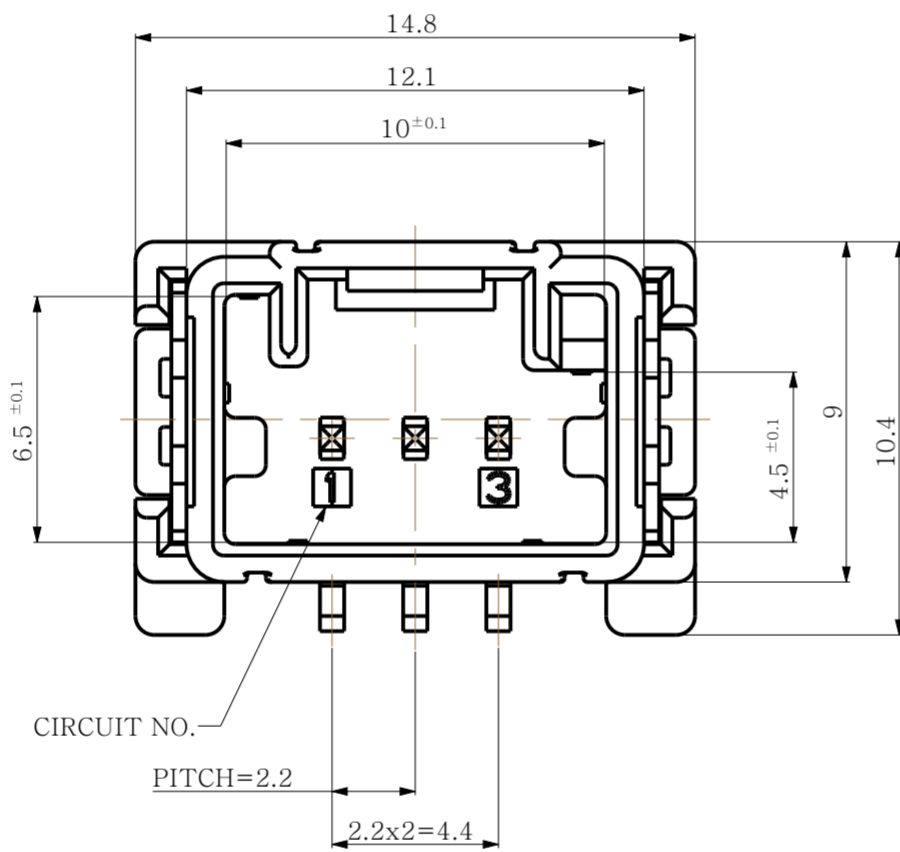
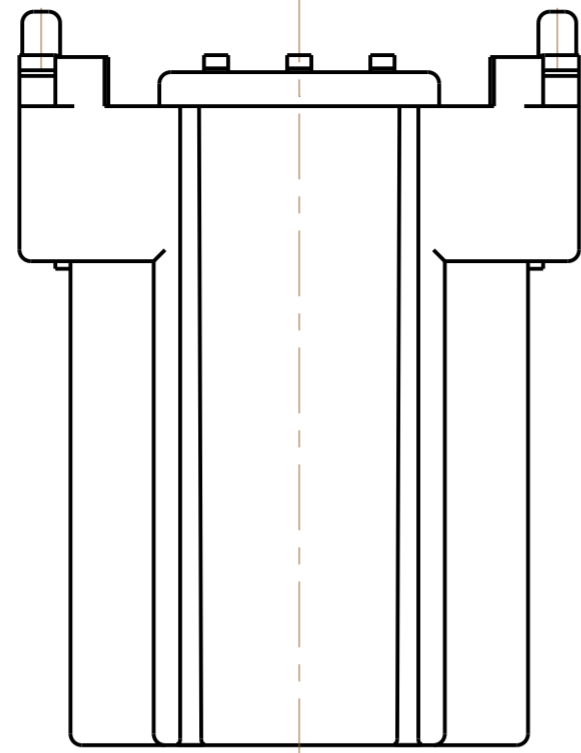
CODE A  
SCALE 3:1



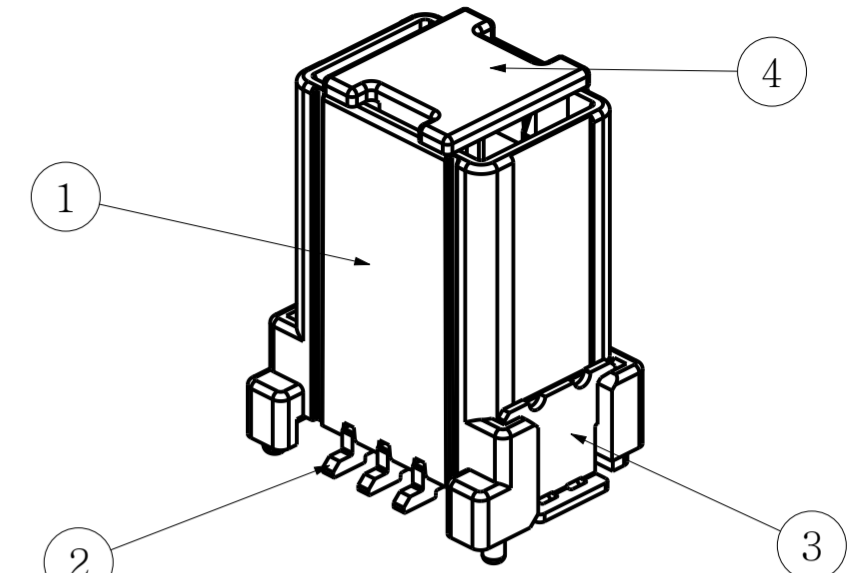
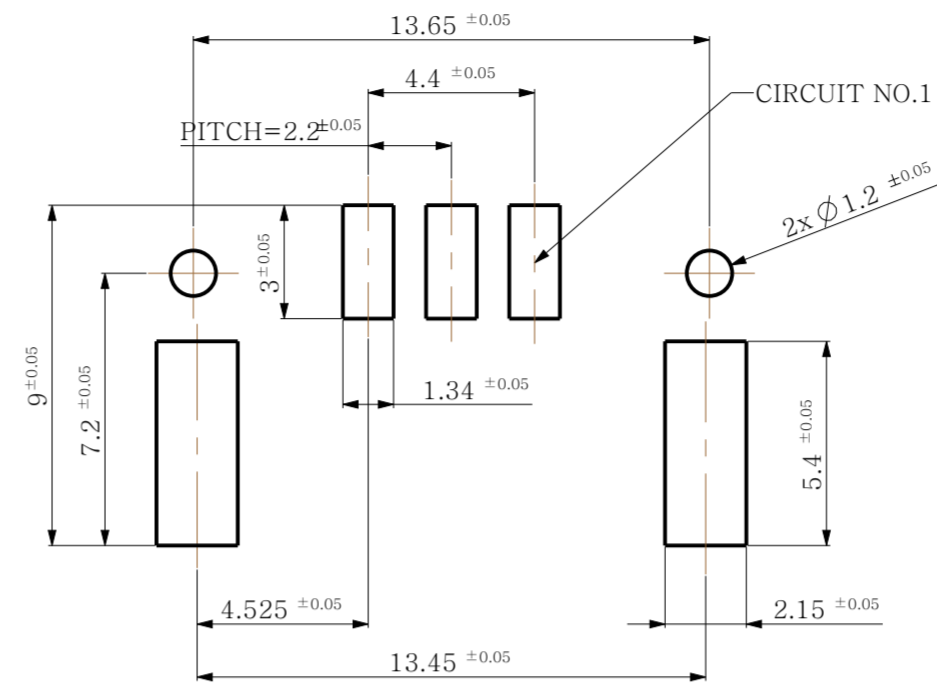
CODE B  
SCALE 3:1



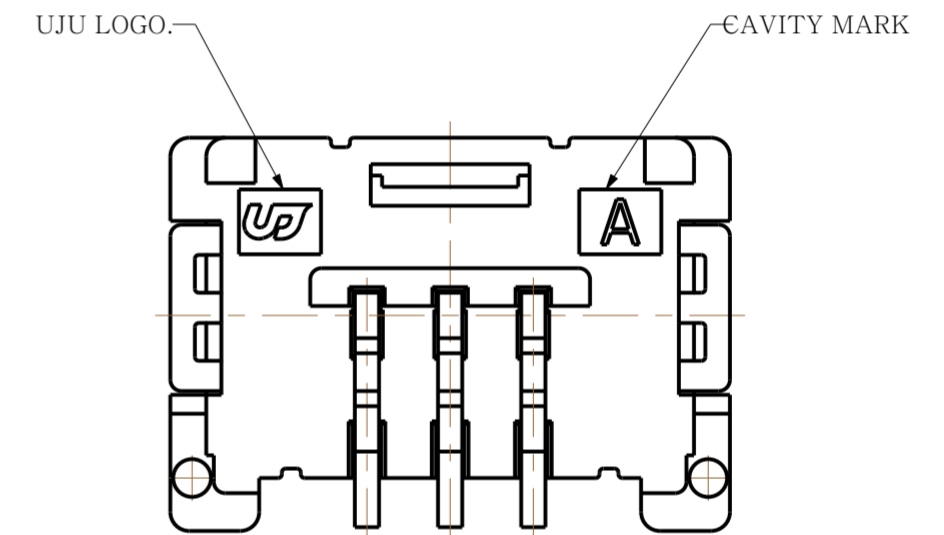
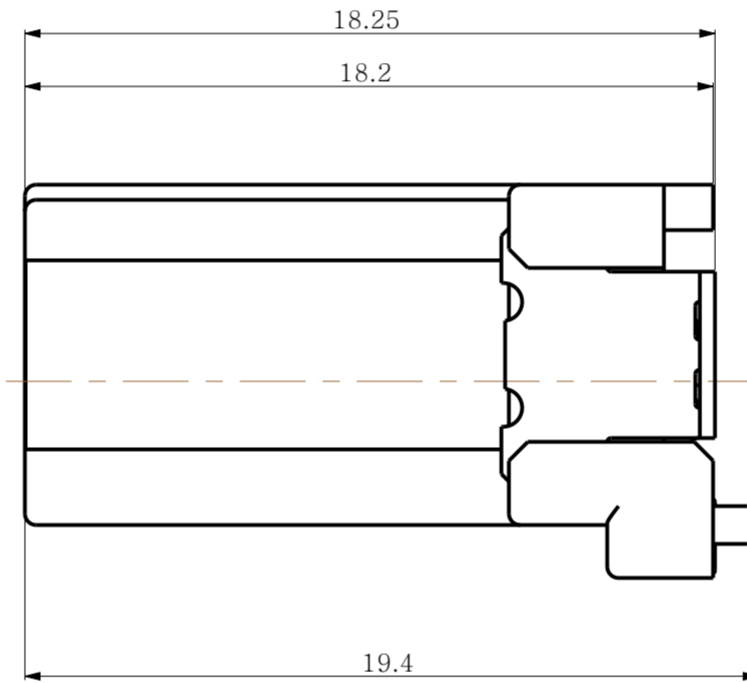
WITH COVER



# PCB PATTERN



ISO VIEW  
SCALE 3:1



NOTE

- ④ 1. General Tolerance : SEE TABLE TOLERANCE
- 2. HSG DESCRIPTION : SEE TABLE
- 3. MATERIAL
  - HDR HSG : PPA-GF15
  - SOLDER PEG : COPPER ALLOY (POST-TIN)
  - TAB TML : COPPER ALLOY (POST-TIN)

TABLE

NO.	DESCRIPTION	PART NO.	CODE	MATERIAL	FINISH/COLOR	Q'TY	Q'TY
4	025 SMT HDR COVER (VTC)	KM1400021-20	-	PPA GF15	BLACK	1	1
3	025 SMT SOLDER PEG-LEFT (VTC)	KM1300034-21	-	BRASS	POST-TIN	1	1
	025 SMT SOLDER PEG-RIGHT (VTC)	KM1300034-20	-	BRASS	POST-TIN	1	1
2	025 SMT TAB TML (VTC)	KM1300033-20	-	BRASS	POST-TIN	3	3
1	025 SMT 3M HDR HSG (VTC)	KM1400036-21	B	PPA GF15	BLACK	1	-
	025 SMT 3M HDR HSG (VTC)	KM1400036-10	A	PPA GF15	NATURAL	-	1

TOLERANCE	10MAX	30MAX	50MAX	70MAX	100MAX	120MAX	250MAX	250VR	ANGLE
	± 0.15	± 0.20	± 0.30	± 0.40	± 0.50	± 0.75	± 0.9	± 1.4	± 0.5°

DRWN KH.PARK	CHKD CY.CHOI	APVD SJ.SONG	NAME	
UNIT MM		MATERIAL SEE TABLE		
THIRD ANGLE PROJECTION		FINISH/COLOR SEE TABLE		CUSTOMER
TOLERANCES UNLESS OTHERWISE SPECIFIED		WEIGHT		DRAWING NO. KH1400035
PRODUCT SPEC		APPLICATION SPEC		DRAWING
		LOC RESTRICTED TO		SIZE SCALE SHEET REV
				A2 5:1 1 1 OF 4

B	A	CODE
KH1400035-21	KH1400035-10	ASSY PART NO.
025 SMT 3M HDR ASSY (VTC)/B code	025 SMT 3M HDR ASSY (VTC)/A Code	ASSY DESCRIPTION

REV	REVISION RECORD	DATE	DRWN	APVD
3	REVISED	25 FEB'15	GR	SJ
4	ENGINEERING REVISED	10 JUN'16	KH	SJ