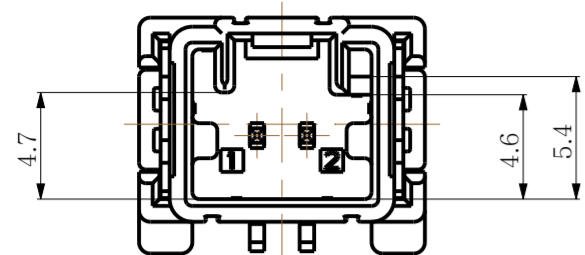
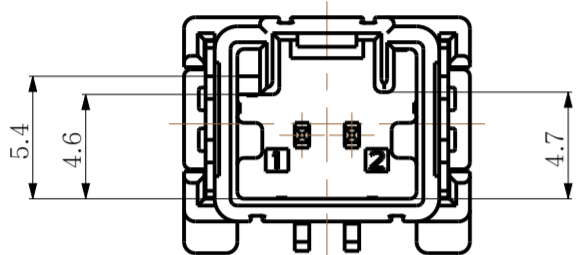


# PCB PATTERN

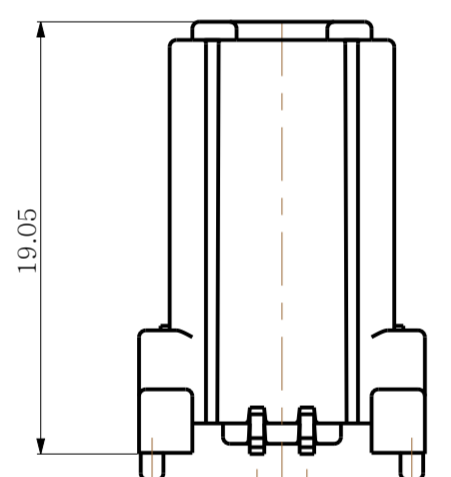
REV	REVISION RECORD	DATE	DRWN	APVD
3	REVISED	25 FEB'15	GR	SJ
4	ENGINEERING REVISED	10 JUN'16	KH	SJ



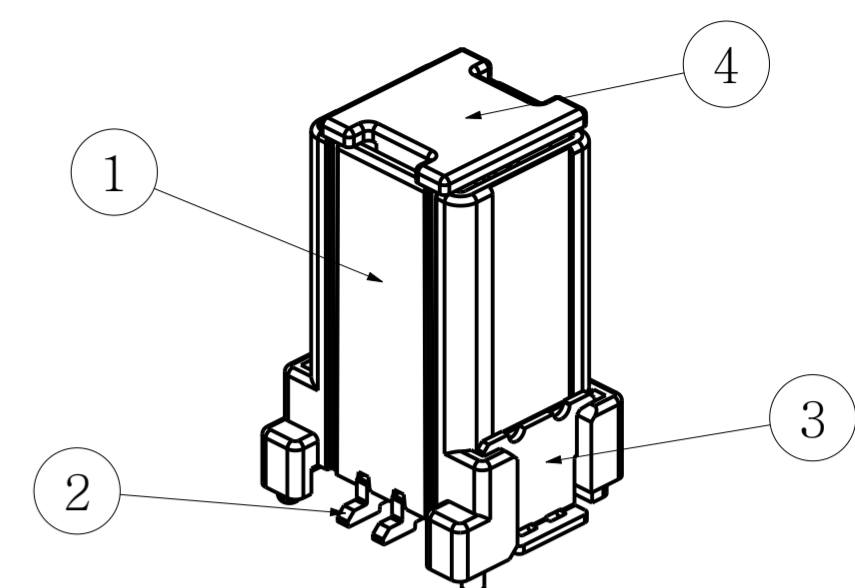
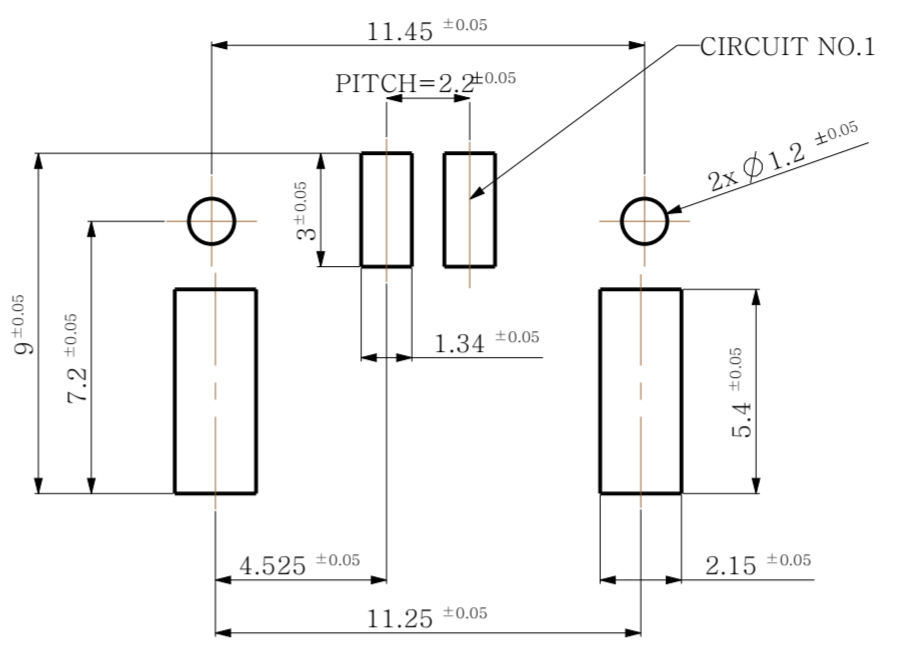
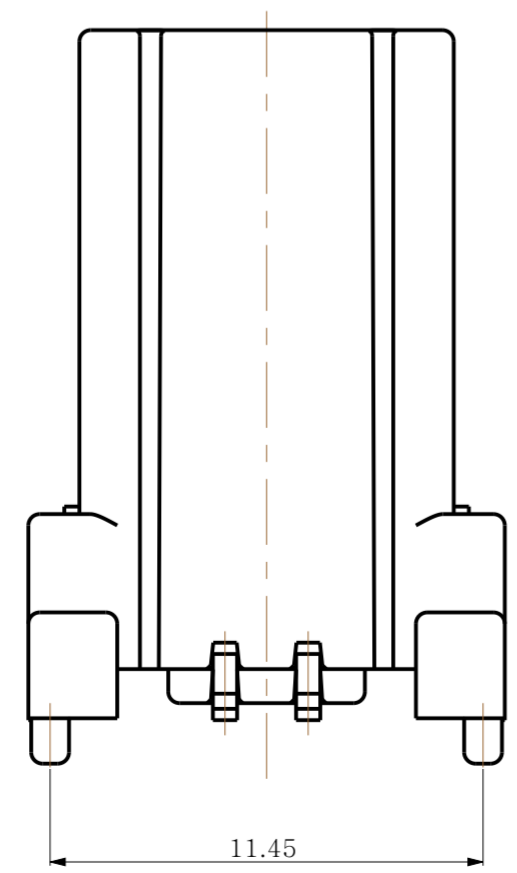
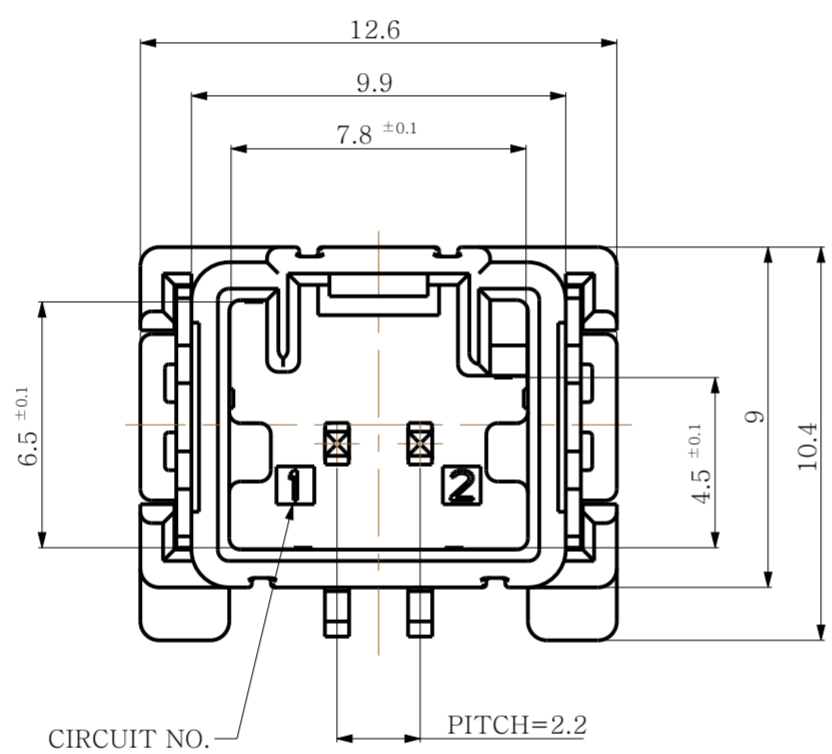
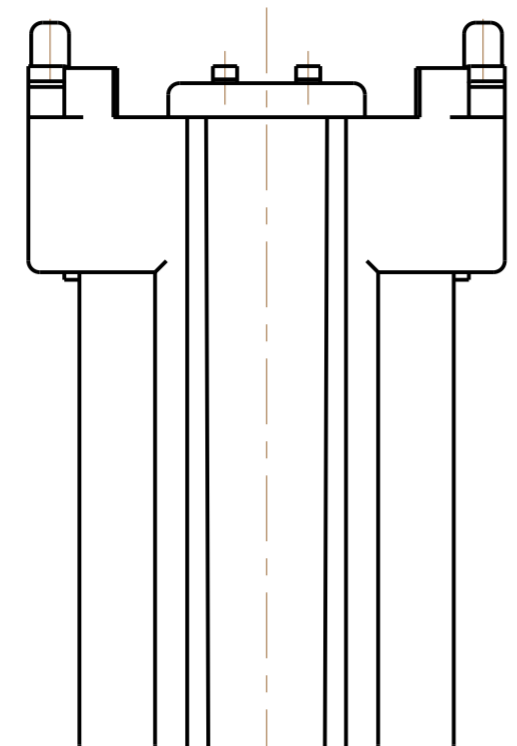
CODE A  
SCALE 3:1



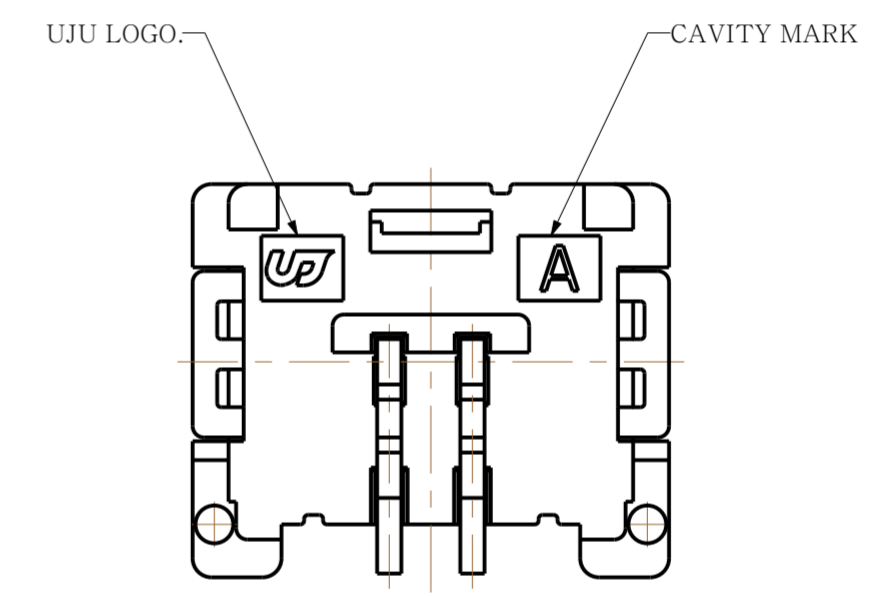
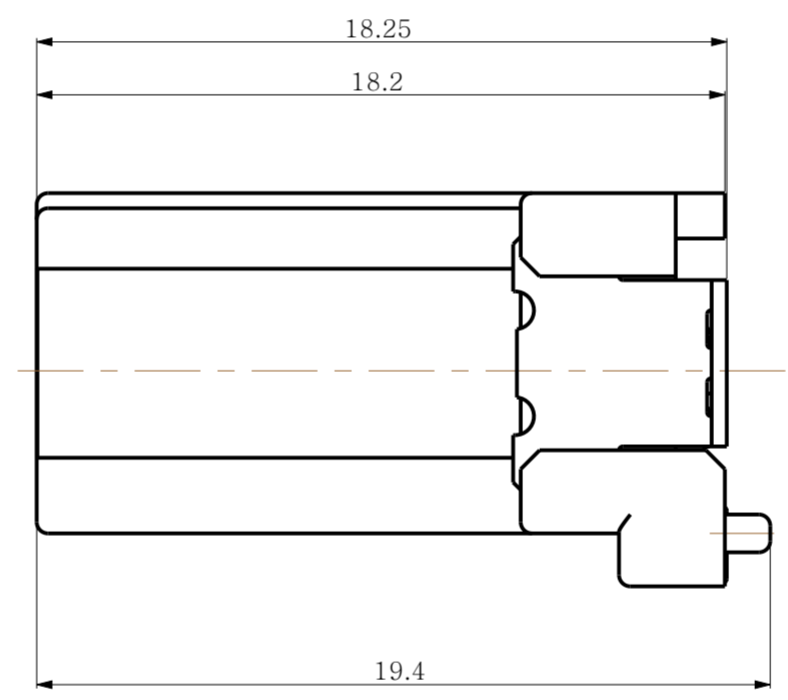
CODE B  
SCALE 3:1



WITH COVER



ISO VIEW  
SCALE 3:1



- NOTE
- General Tolerance : SEE TABLE TOLERANCE
  - HSG DESCRIPTION : SEE TABLE
  - MATERIAL
    - HDR HSG : PPA-GF15
    - SOLDER PEG : COPPER ALLOY (POST-TIN)
    - TAB TML : COPPER ALLOY (POST-TIN)

NO.	DESCRIPTION	PART NO.	CODE	MATERIAL	FINISH/COLOR	Q'TY	Q'TY
4	025 SMT HDR COVER (VTC)	KM1400021-20	-	PPA GF15	BLACK	1	1
3	025 SMT SOLDER PEG-LEFT (VTC)	KM1300034-21	-	BRASS	POST-TIN	1	1
	025 SMT SOLDER PEG-RIGHT (VTC)	KM1300034-20	-	BRASS	POST-TIN	1	1
2	025 SMT TAB TML (VTC)	KM1300033-20	-	BRASS	POST-TIN	2	2
1	025 SMT 2M HDR HSG (VTC)	KM1400034-21	B	PPA GF15	BLACK	1	-
	025 SMT 2M HDR HSG (VTC)	KM1400034-10	A	PPA GF15	NATURAL	-	1

ASSY DESCRIPTION	ASSY PART NO.	CODE
025 SMT 2M HDR ASSY(VTC)/B code	KH1400033-21	B
025 SMT 2M HDR ASSY(VTC)/A Code	KH1400033-10	A

TOLERANCE	10MAX	30MAX	50MAX	70MAX	100MAX	120MAX	250MAX	250VR	ANGLE
	±0.15	±0.20	±0.30	±0.40	±0.50	±0.75	±0.9	±1.4	±0.5°

DRWN KH.PARK	CHKD CY.CHOI	APVD SJ.SONG	NAME (주)우주 일렉트로닉스 UJU Electronics co.,Ltd.		
TOLERANCES UNLESS OTHERWISE SPECIFIED		UNIT MM	MATERIAL SEE TABLE		
THIRD ANGLE PROJECTION		FINISH/COLOR SEE TABLE		CUSTOMER	
PRODUCT SPEC		APPLICATION SPEC	DRAWING NO KH1400033		
WEIGHT		DRAWING		LOC	
		RESTRICTED TO	SIZE A2	SCALE 5:1	
			SHEET 1	REV 1 OF 4	

D

C

B

A