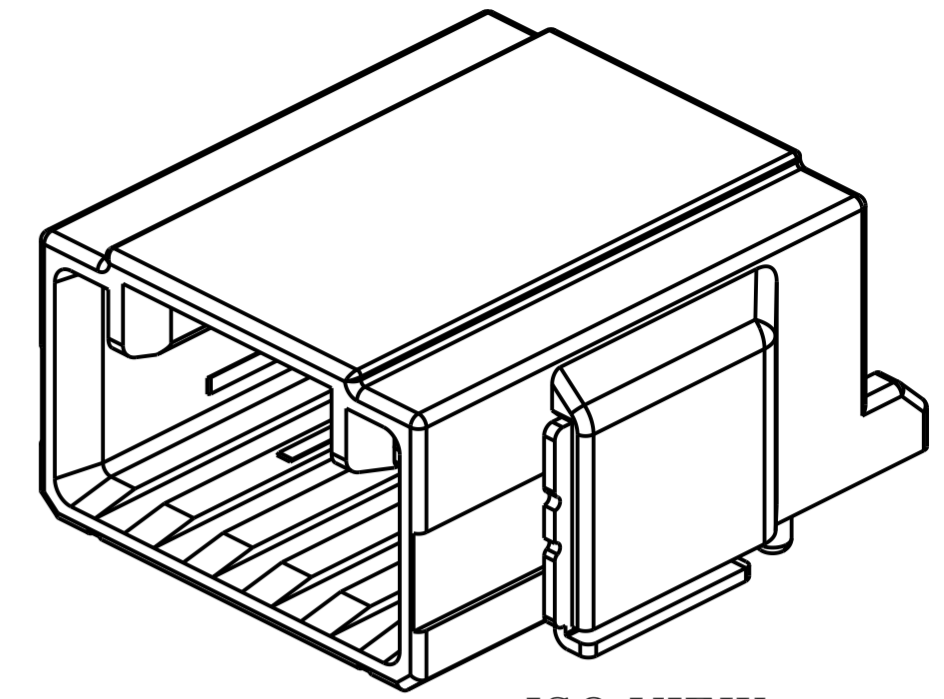
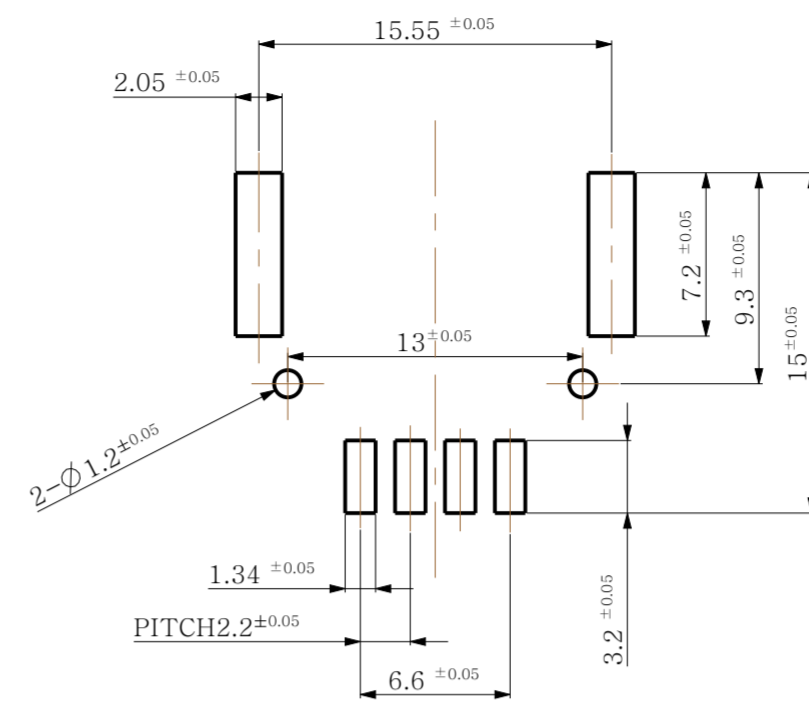
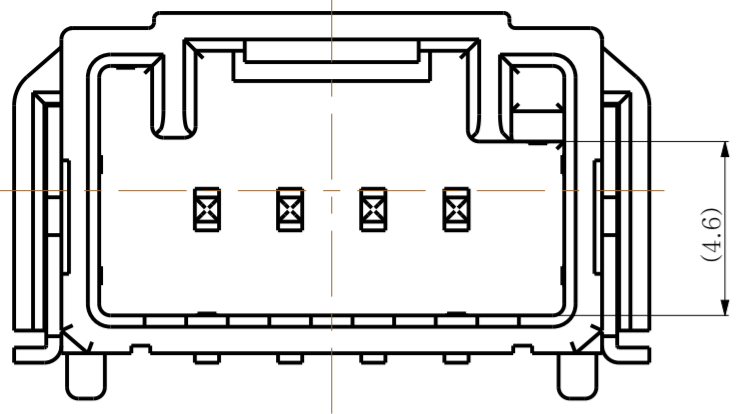


REV	REVISION RECORD	DATE	DRWN	APVD
A	REVISED(RD-2017-017)	08.MAR'17	KH	SJ

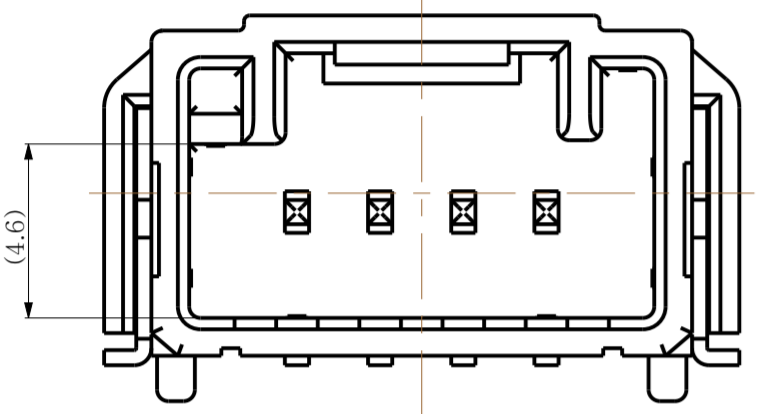
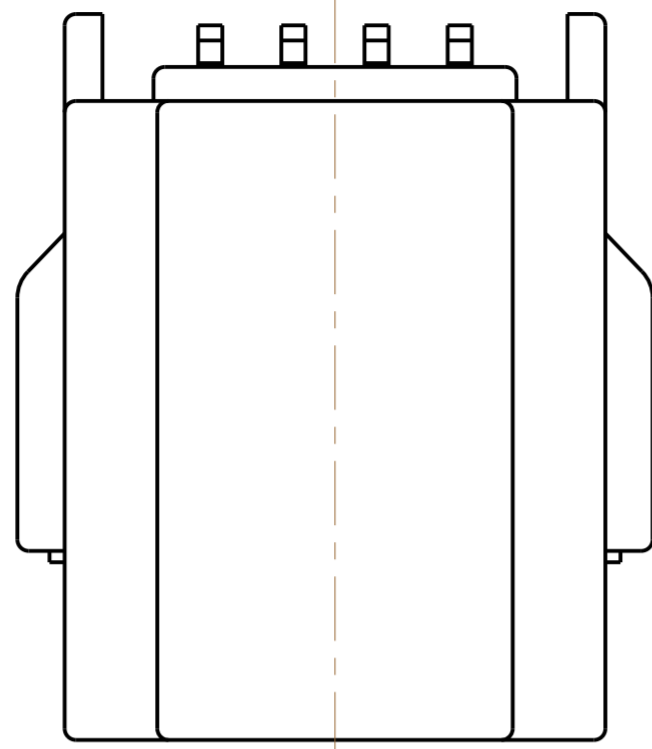
PCB PATTERN



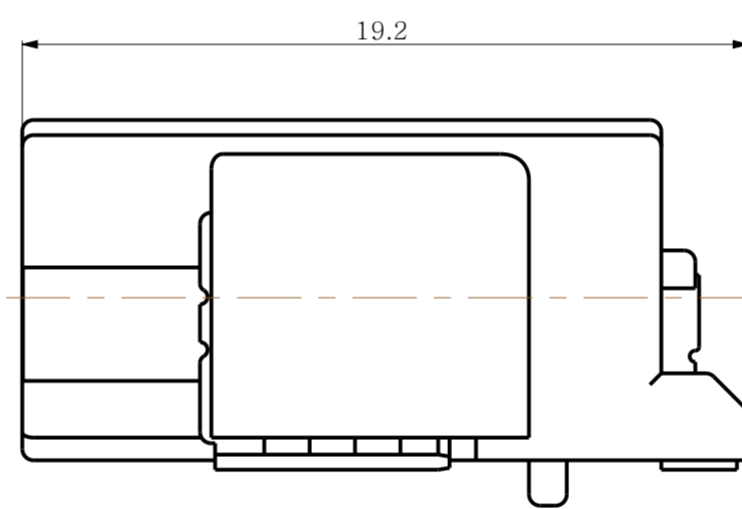
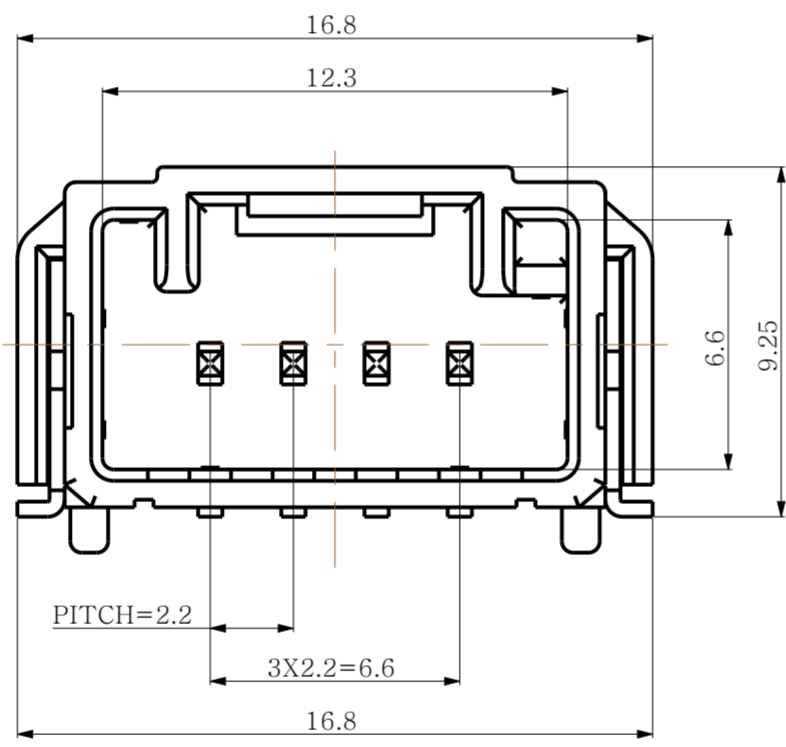
ISO VIEW



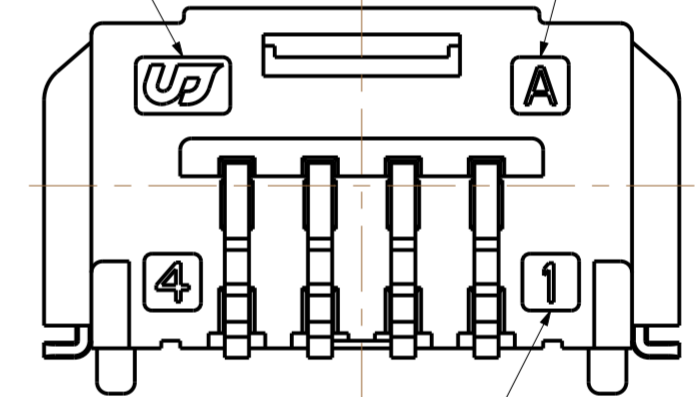
CODE A



CODE B



UJU LOGO. CAVITY MARK



CIRCUIT NO.

NOTE

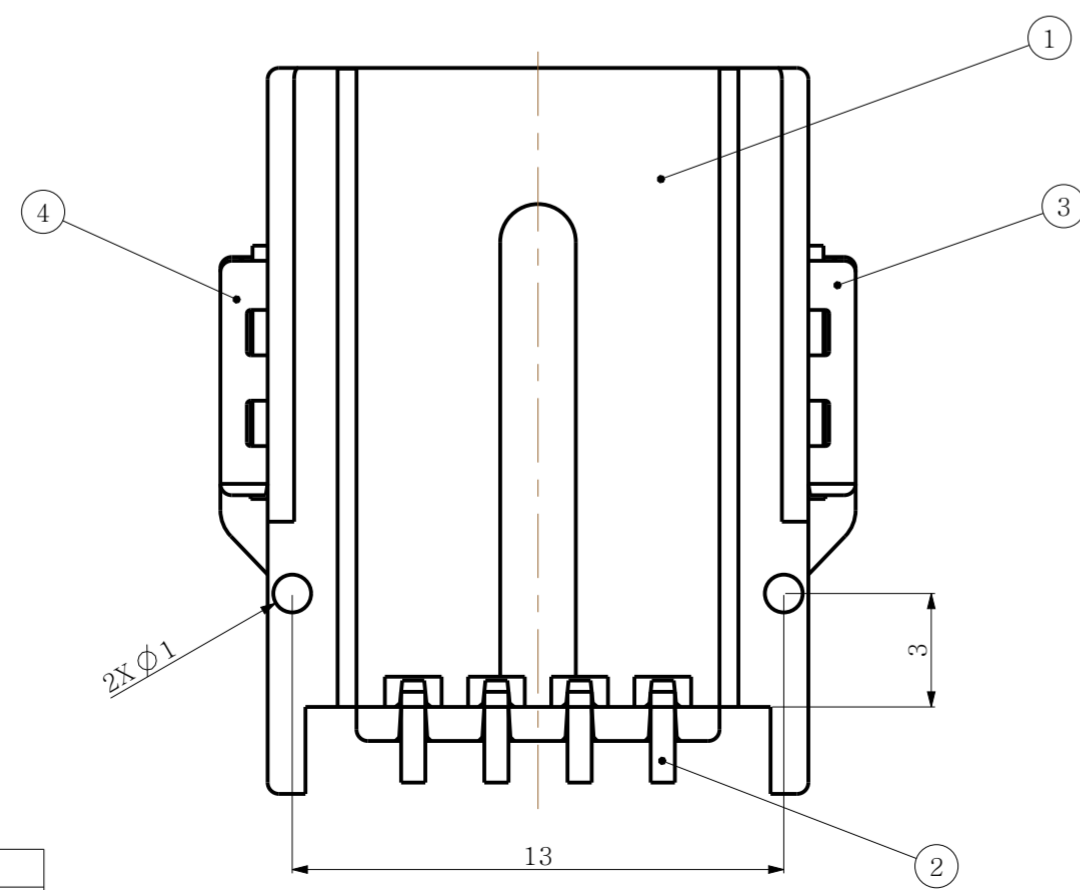
- 1. General Tolerance : SEE TABLE TOLERANCE
- 2. HSG DESCRIPTION : SEE TABLE-1
- 3. MATERIAL
 - HDR HSG : PPA-GF15
 - SOLDER PEG : COPPER ALLOY (POST-TIN)
 - TAB TML : COPPER ALLOY (POST-TIN)

TABLE-1

NO.	DESCRIPTION	PART NO.	CODE	MATERIAL	FINISH/COLOR	Q'TY	Q'TY
4	025 SMT SOLDER PEG-LEFT (HZT)	KM1300054-21	-	BRASS	POST-TIN	1	1
3	025 SMT SOLDER PEG-RIGHT (HZT)	KM1300054-20	-	BRASS	POST-TIN	1	1
2	025 SMT TAB TML (HZT)	KM1300053-20	-	BRASS	POST-TIN	4	4
1	025 SMT 4M HDR HSG (HZT)	KM1400032-21	B	PPA GF15	BLACK	1	-
		KM1400032-10	A		NATURAL	-	1

B	A	CODE
KH1400031-21	KH1400031-10	ASSY PART NO.

ASSY DESCRIPTION



TOLERANCE								
10MAX	30MAX	50MAX	70MAX	100MAX	120MAX	250MAX	250VR	ANGLE
±0.15	±0.20	±0.30	±0.40	±0.50	±0.75	±0.9	±1.4	±0.5도

TOLERANCES UNLESS OTHERWISE SPECIFIED	UNIT MM	DRWN	KH.PARK		
		CHKD	CY.CHOI		
THIRD ANGLE PROJECTION	APVD	S.J.SONG			
		MATERIAL	SEE TABLE-1		
PRODUCT SPEC	APPLICATION SPEC	FINISH/COLOR	SEE TABLE-1		
		WEIGHT			
		(주)우주 일렉트로닉스 UJU Electronics co.,Ltd.			
NAME		025 SMT 4M HDR ASSY (HZT)			
DRAWING NO		KH1400031			
DRAWING		LOC	RESTRICTED TO	SIZE	SCALE
A2				5:1	
SHEET		1 of 1		REV	A