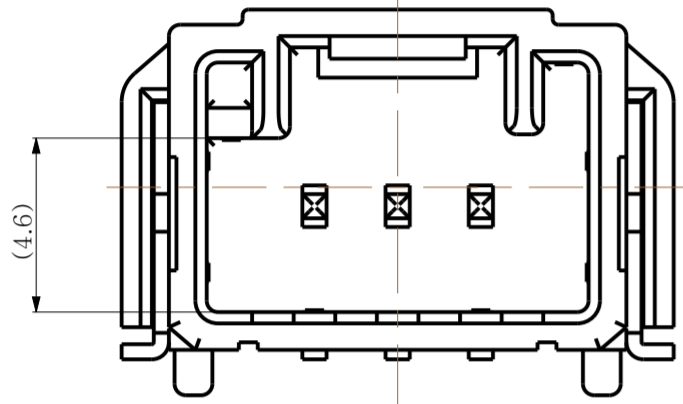
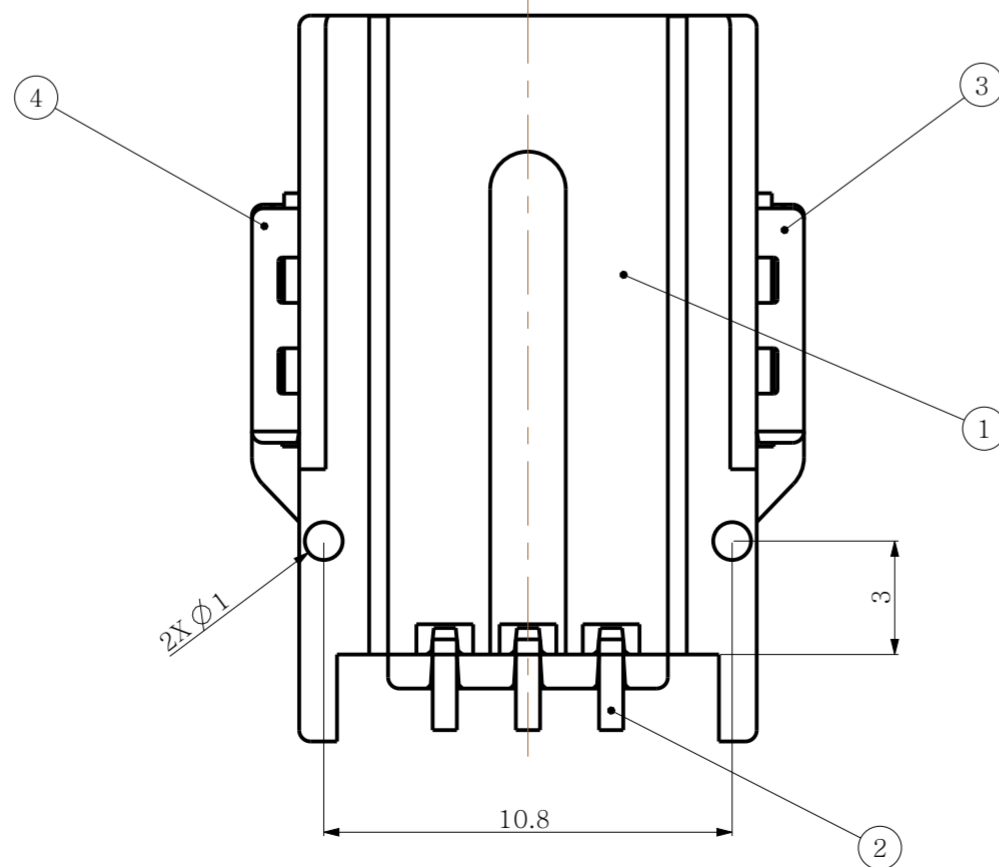
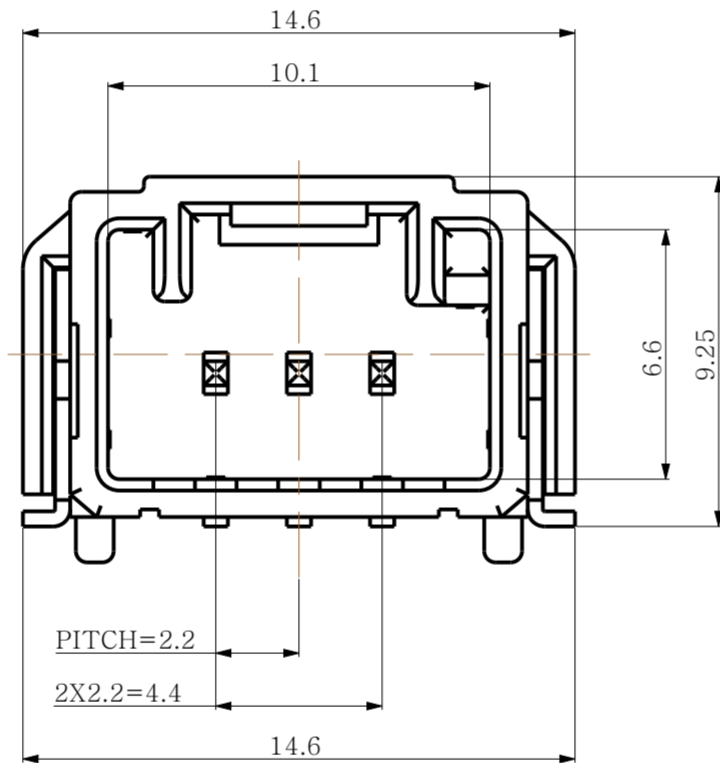
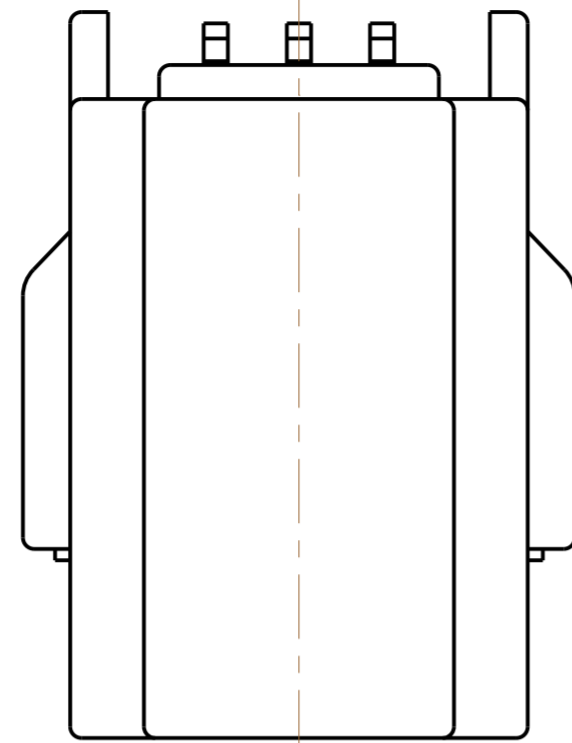


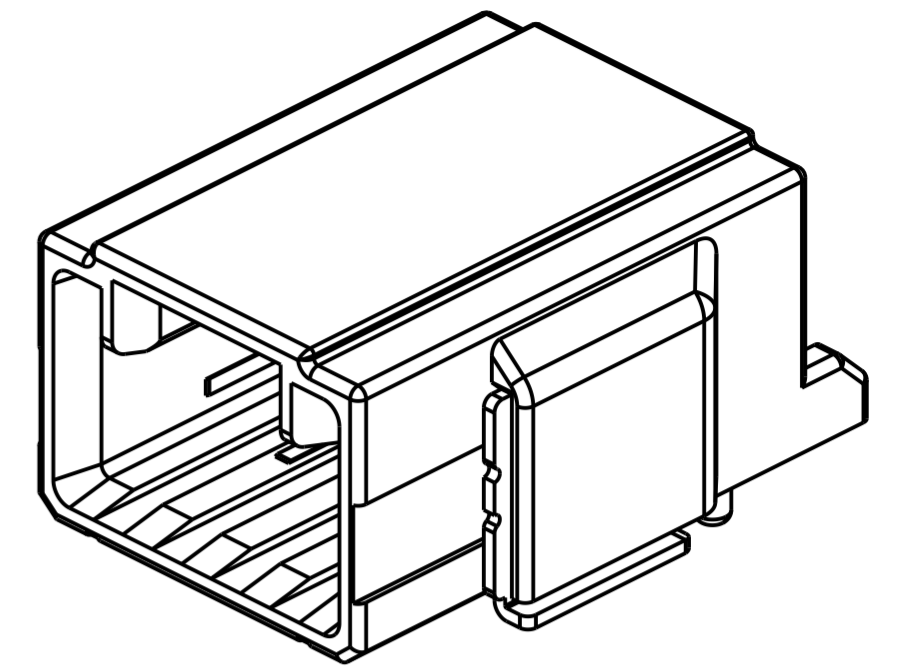
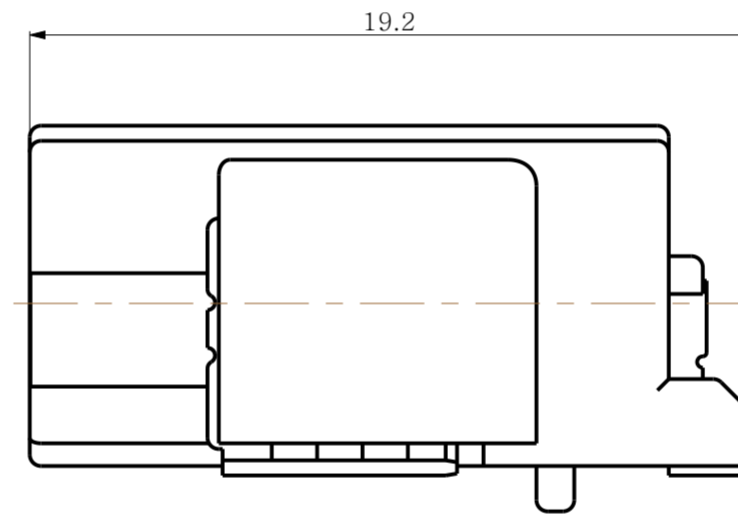
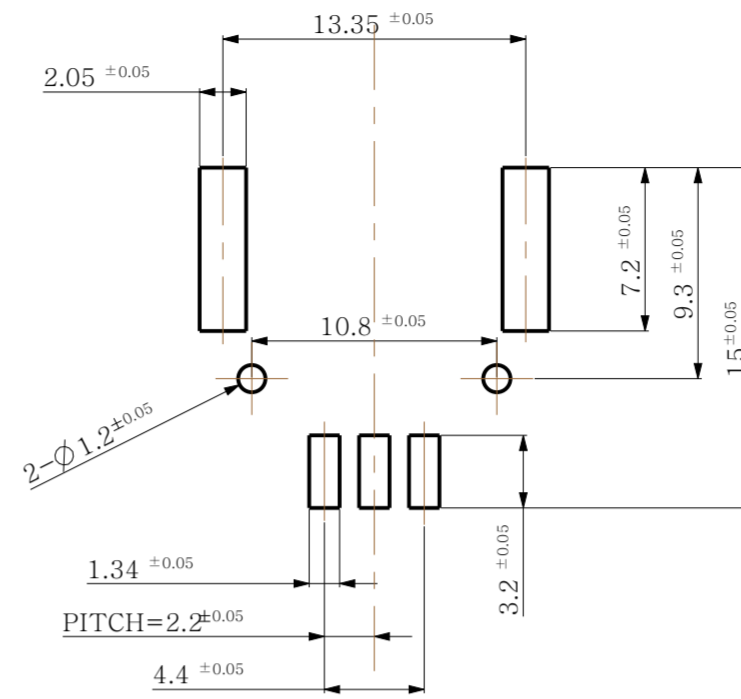
CODE A



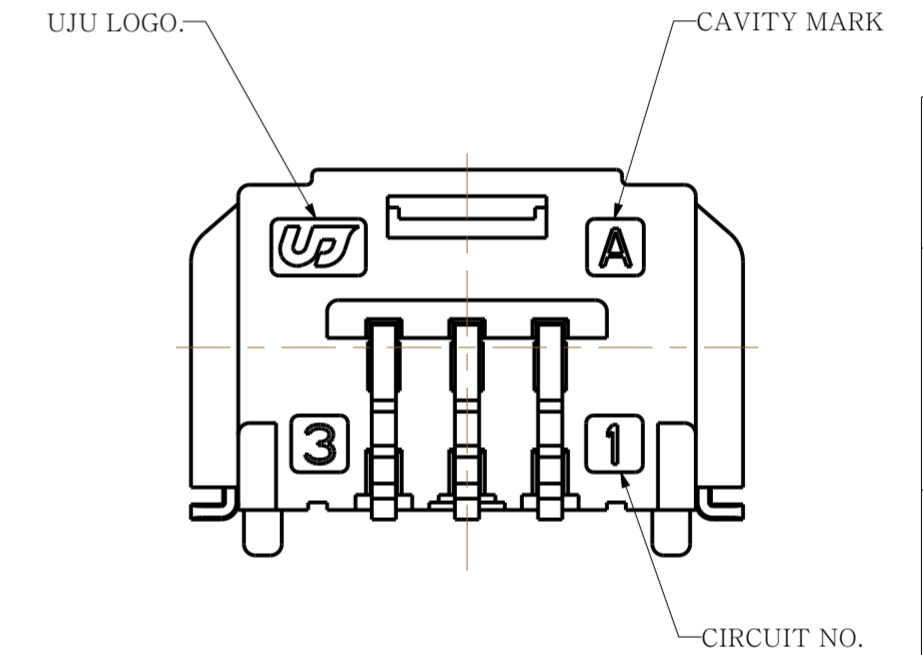
CODE B



PCB PATTERN



ISO VIEW



NOTE

- 1. General Tolerance : SEE TABLE TOLERANCE
- 2. HSG DESCRIPTION : SEE TABLE-1
- 3. MATERIAL
  - HDR HSG : PPA-GF15
  - SOLDER PEG : COPPER ALLOY (POST-TIN)
  - TAB TML : COPPER ALLOY (POST-TIN)

TABLE-1

NO.	DESCRIPTION	PART NO.	CODE	MATERIAL	FINISH/COLOR	Q'TY	Q'TY
4	Ø25 SMT SOLDER PEG-LEFT (HZT)	KM1300054-21	-	BRASS	POST-TIN	1	1
3	Ø25 SMT SOLDER PEG-RIGHT (HZT)	KM1300054-20	-	BRASS	POST-TIN	1	1
2	Ø25 SMT TAB TML (HZT)	KM1300053-20	-	BRASS	POST-TIN	3	3
1	Ø25 SMT 3M HDR HSG (HZT)	KM1400030-21	B	PPA GF15	BLACK	1	-
		KM1400030-10	A		NATURAL	-	1

TOLERANCE							
10MAX	30MAX	50MAX	70MAX	100MAX	120MAX	250MAX	250VR
±0.15	±0.20	±0.30	±0.40	±0.50	±0.75	±0.9	±1.4
ANGLE	±0.5°						

REV	REVISION RECORD	DATE	DRWN	APVD
A	REVISED(RD-2017-017)	08.MAR'17	KH	SJ

TOLERANCES UNLESS OTHERWISE SPECIFIED		UNIT MM	THIRD ANGLE PROJECTION	DRWN KH.PARK	(주)우주일렉트로닉스 UJU Electronics co.,Ltd.	
0 ±	0.0 ±	0.00 ±	0.000 ±	CHKD CY.CHOI	NAME Ø25 SMT 3M HDR ASSY (HZT)	
0.000 ±	0.000 ±	0.000 ±	ANGLES ±	APVD SJ.SONG	DRAWING NO KH1400029	
PRODUCT SPEC	APPLICATION SPEC	WEIGHT	LOC	MATERIAL SEE TABLE-1	CUSTOMER	SHEET 1 of 1
			RESTRICTED TOP	FINISH/COLOR SEE TABLE-1	SCALE 5:1	REV A