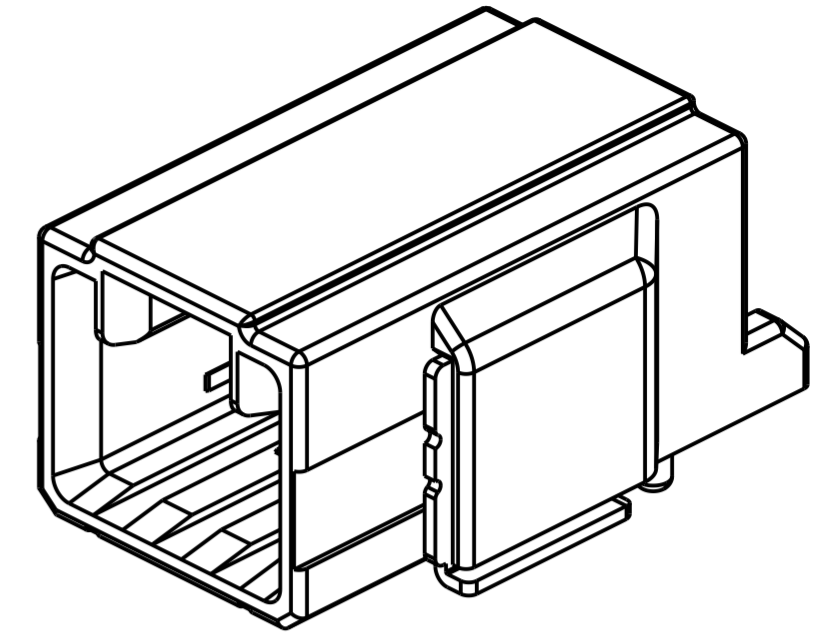
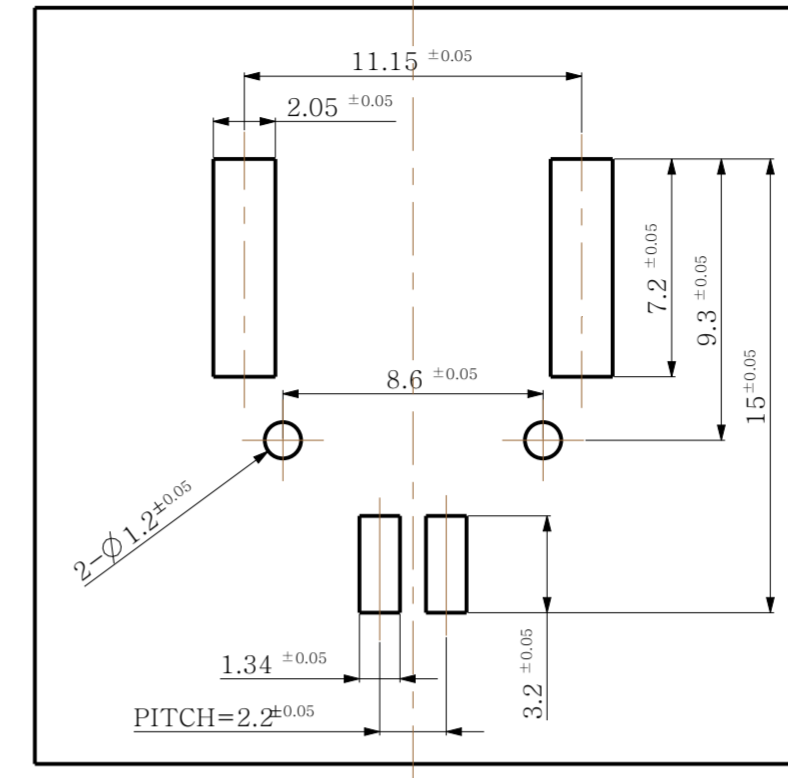
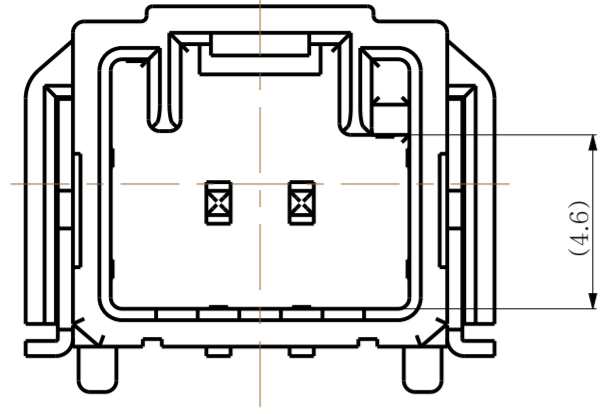


REV	REVISION RECORD	DATE	DRWN	APVD
A	REVISED(RD-2017-017)	08.MAR'17	KH	SJ

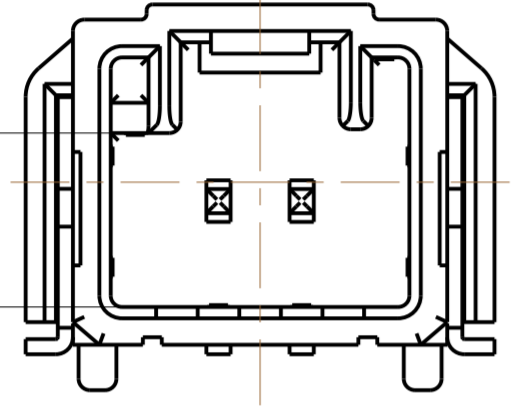
PCB PATTERN



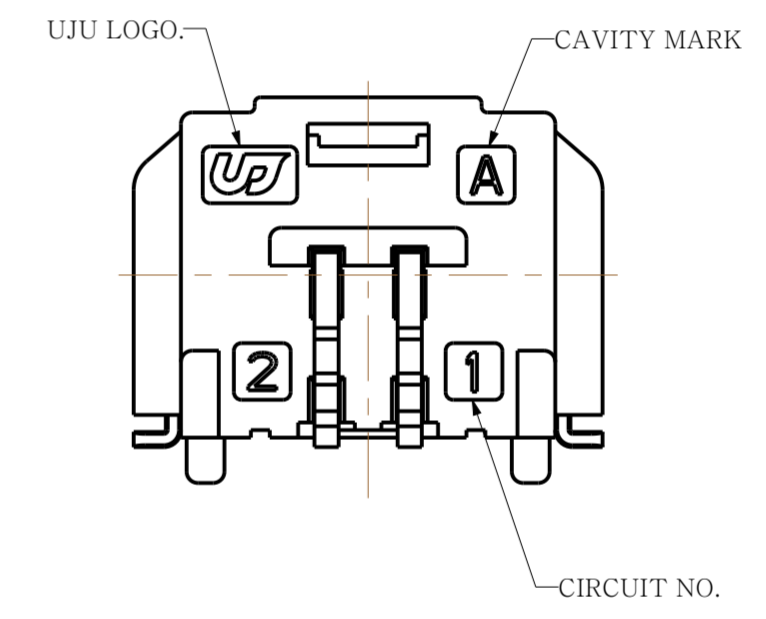
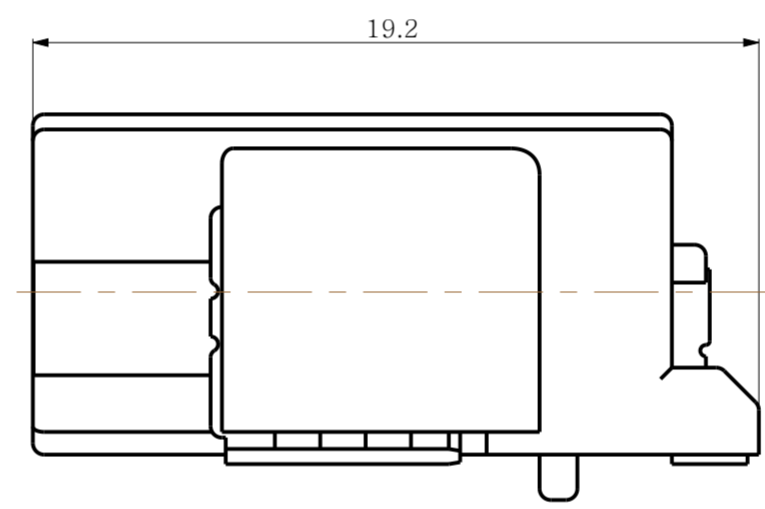
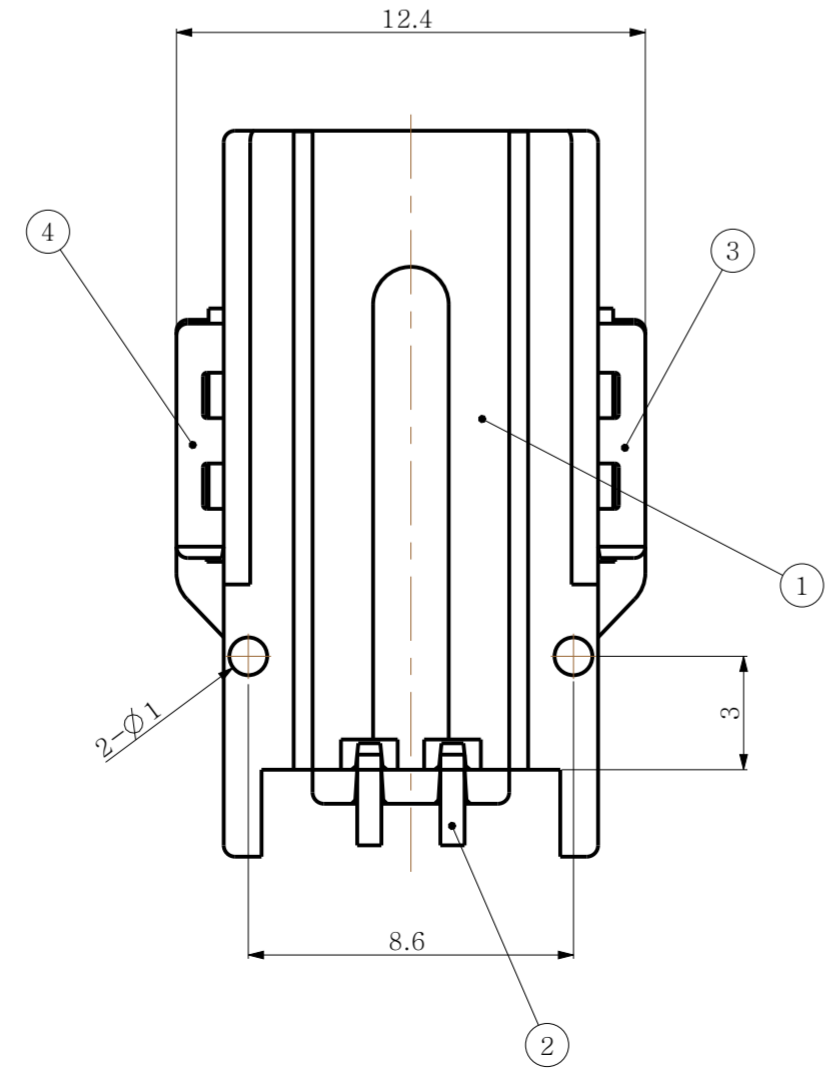
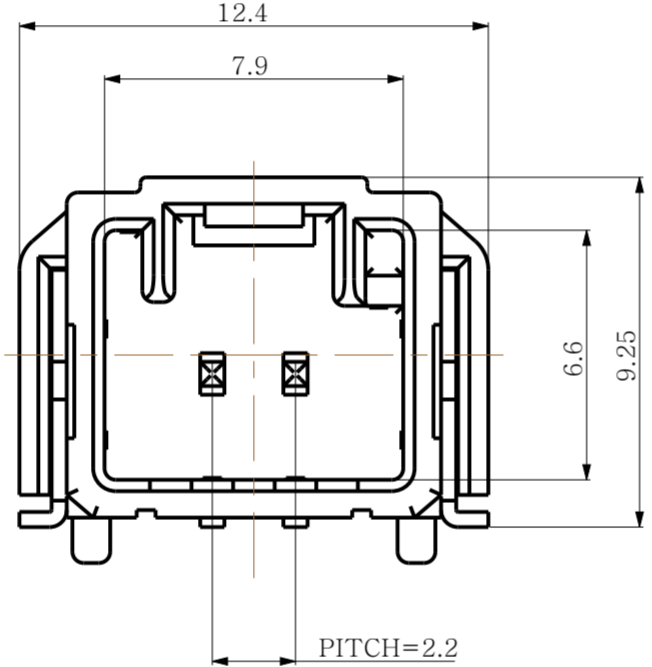
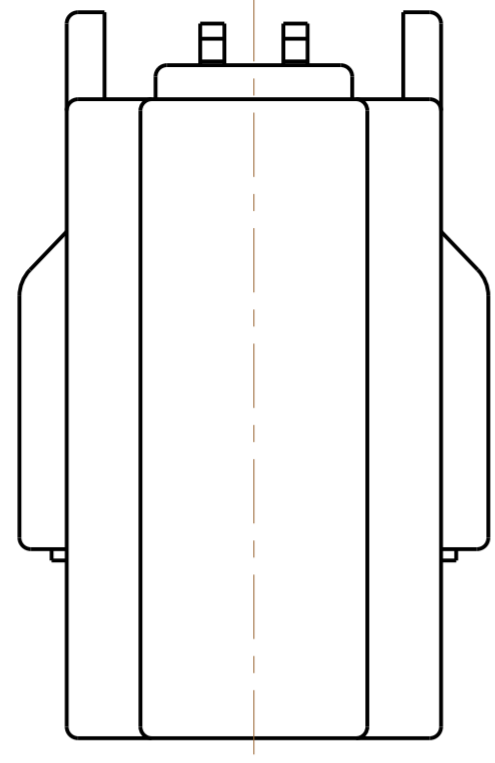
ISO VIEW



CODE A



CODE B



NOTE

- 1. General Tolerance : SEE TABLE TOLERANCE
- 2. HSG DESCRIPTION : SEE TABLE-1
- 3. MATERIAL
 - HDR HSG : PPA-GF15
 - SOLDER PEG : COPPER ALLOY (POST-TIN)
 - TAB TML : COPPER ALLOY (POST-TIN)

TABLE-1

NO.	DESCRIPTION	PART NO.	CODE	MATERIAL	FINISH/COLOR	Q'TY	Q'TY
4	025 SMT SOLDER PEG-LEFT (HZT)	KM1300054-21	-	BRASS	POST-TIN	1	1
3	025 SMT SOLDER PEG-RIGHT (HZT)	KM1300054-20	-	BRASS	POST-TIN	1	1
2	025 SMT TAB TML (HZT)	KM1300053-20	-	BRASS	POST-TIN	2	2
1	025 SMT 2M HDR HSG (HZT)	KM1400028-21	B	PPA GF15	BLACK	1	-
		KM1400028-10	A		NATURAL	-	1

TOLERANCE							
10MAX	30MAX	50MAX	70MAX	100MAX	120MAX	250MAX	250VR
±0.15	±0.20	±0.30	±0.40	±0.50	±0.75	±0.9	±1.4
							ANGLE
							±0.5도

TOLERANCES UNLESS OTHERWISE SPECIFIED	UNIT MM	DRWN	KH.PARK					
		CHKD	CY.CHOI					
THIRD ANGLE PROJECTION		APVD	SJ.SONG					
		MATERIAL	SEE TABLE-1					
PRODUCT SPEC	APPLICATION SPEC	FINISH/COLOR	SEE TABLE-1					
		WEIGHT						
		NAME	(주)우주 일렉트로닉스 UJU Electronics co.,Ltd.					
		CUSTOMER	025 SMT 2M HDR ASSY (HZT)					
		DRAWING NO	KH1400027					
		DRAWING	LOC	RESTRICTED TO	SIZE	SCALE	SHEET	REV
					A2	5:1	1 of 1	A

D

C

B

A