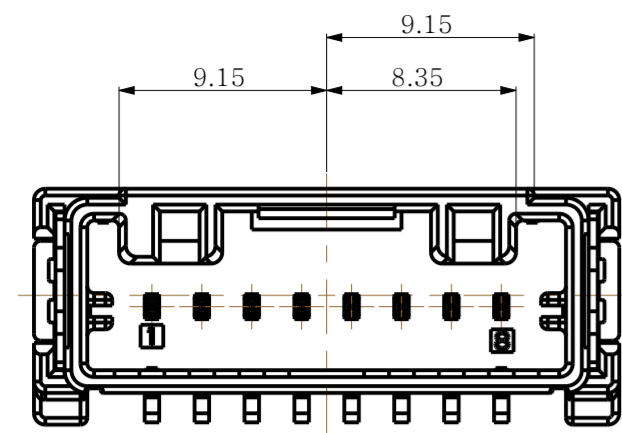
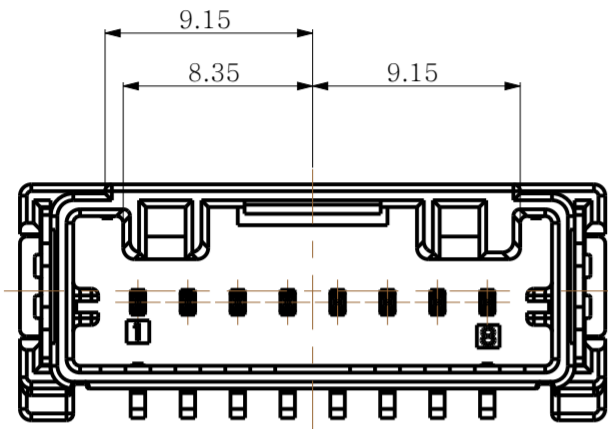


REV	REVISION RECORD	DATE	DRWN	APVD
6	REVISED(RD-2017-009)	07.FEB'17	KH	SJ
7	REVISED(RD-2017-013)	17.FEB'17	KH	SJ

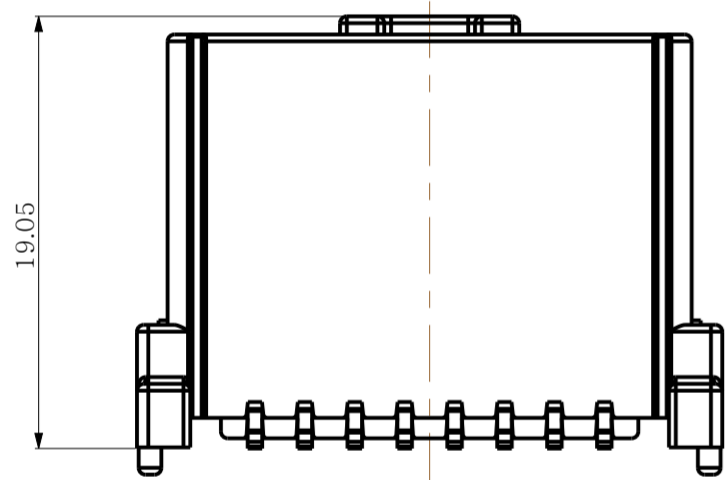
# PCB PATTERN



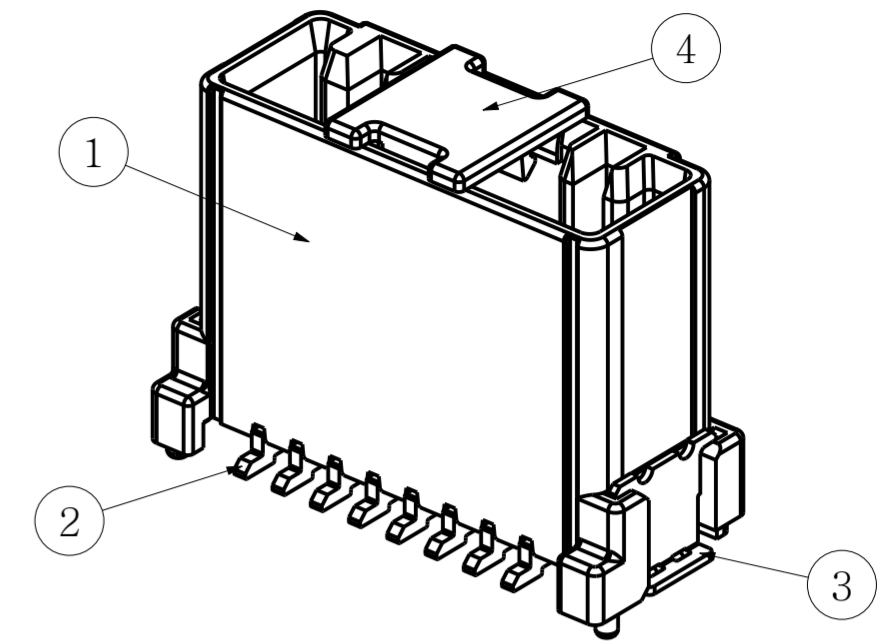
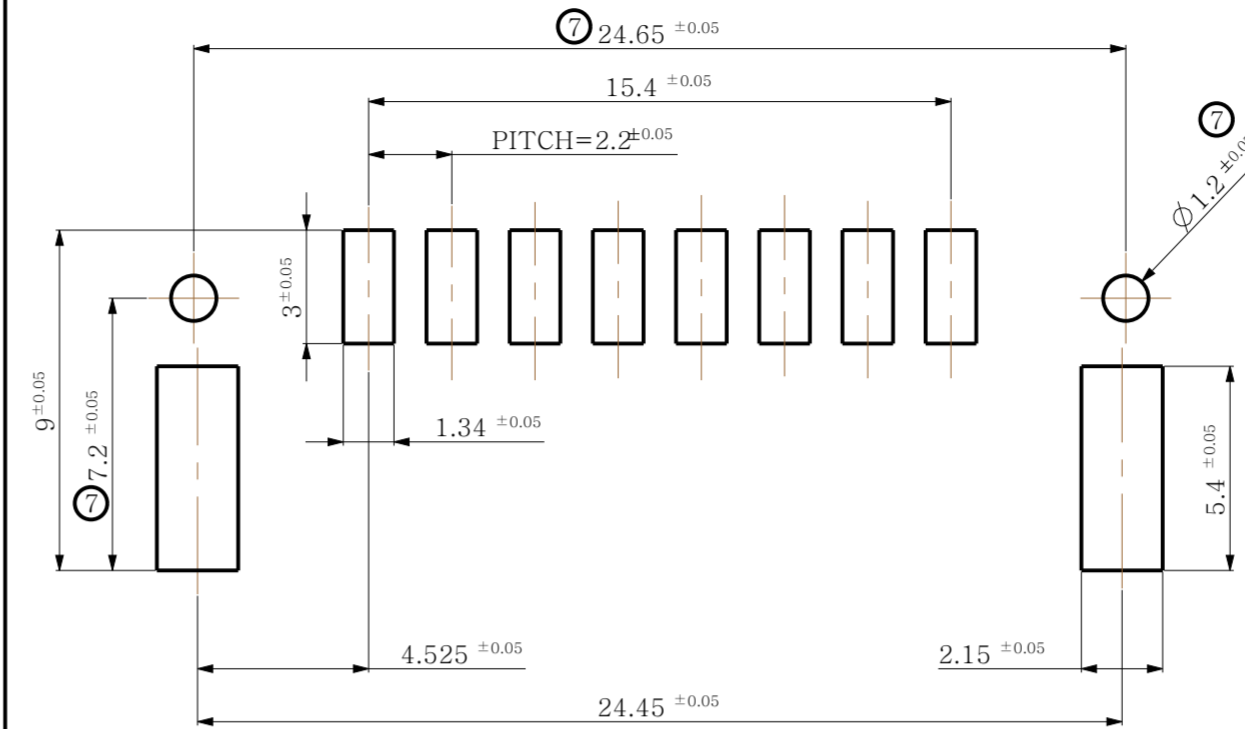
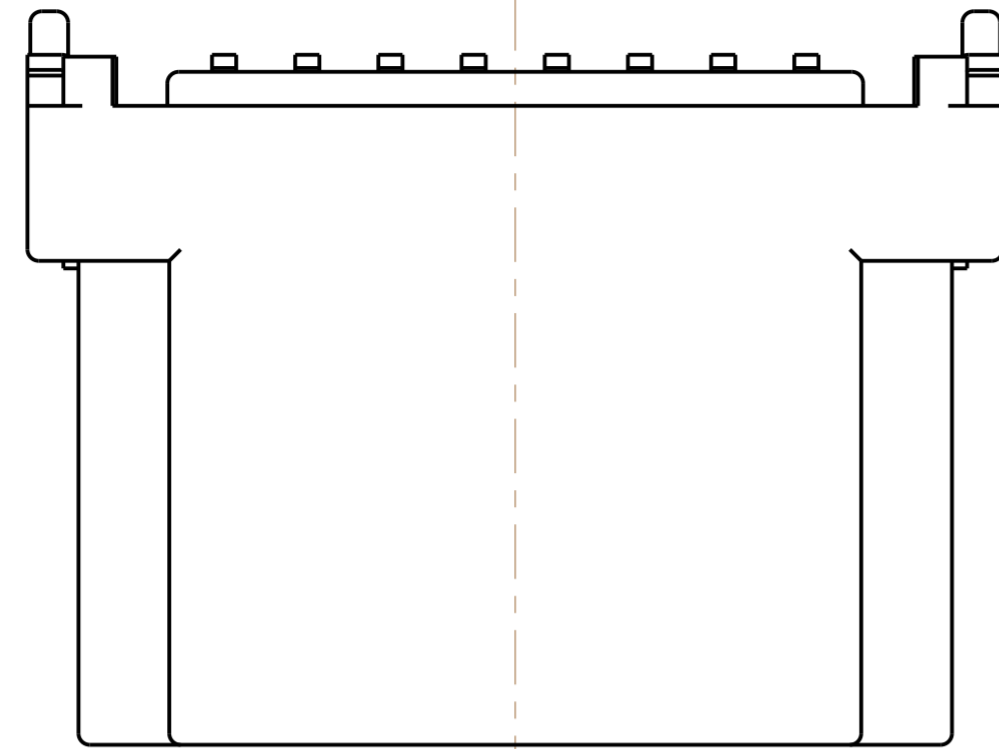
CODE A  
SCALE 3:1



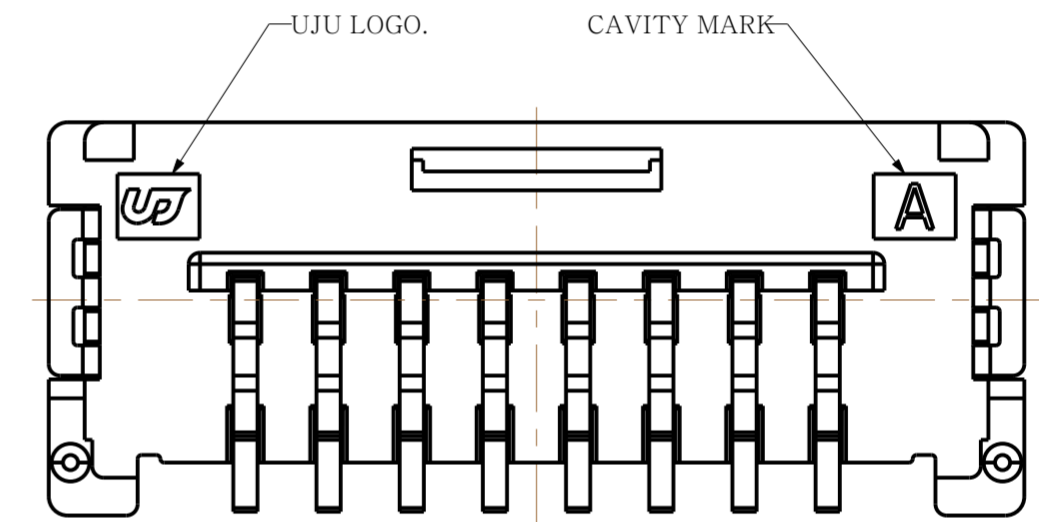
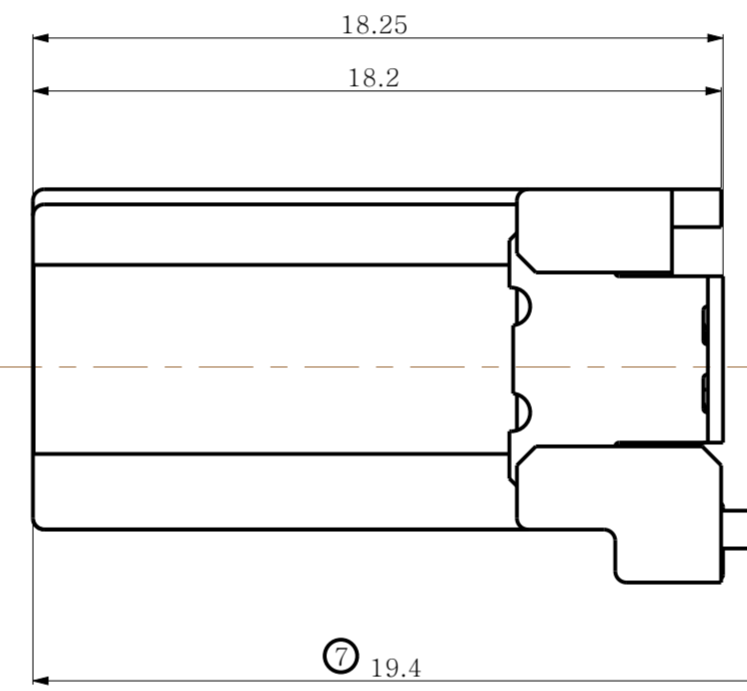
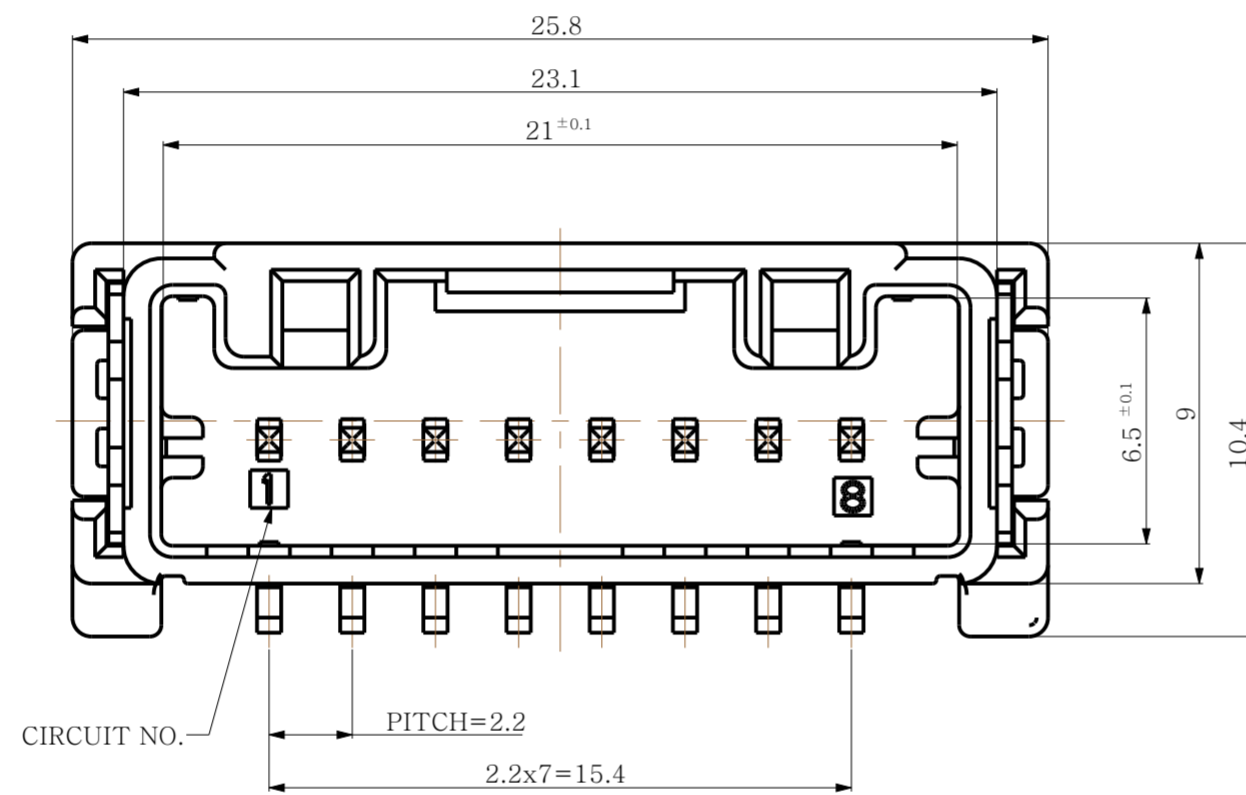
CODE B  
SCALE 3:1



WITH COVER



ISO VIEW  
SCALE 3:1



NOTE

- General Tolerance : SEE TABLE TOLERANCE
- HSG DESCRIPTION : SEE TABLE-1
- MATERIAL
  - HDR HSG : PPA-GF15
  - SOLDER PEG : COPPER ALLOY (POST-TIN)
  - TAB TML : COPPER ALLOY (POST-TIN)

TABLE-1

NO.	DESCRIPTION	PART NO.	CODE	MATERIAL	FINISH/COLOR	Q'TY	Q'TY
4	025 SMT HDR COVER (VTC)	KM1400021-20	-	PPA GF15	BLACK	1	1
3	025 SMT SOLDER PEG-LEFT (VTC)	KM1300034-21	-	BRASS	POST-TIN	1	1
	025 SMT SOLDER PEG-RIGHT (VTC)	KM1300034-20	-	BRASS	POST-TIN	1	1
2	025 SMT TAB TML (VTC)	KM1300033-20	-	BRASS	POST-TIN	8	8
1	025 SMT 8M HDR HSG (VTC)	KM1300039-21	B	PPA GF15	BLACK	1	-
	025 SMT 8M HDR HSG (VTC)	KM1300039-10	A	PPA GF15	NATURAL	-	1

TOLERANCE								ANGLE
10MAX	30MAX	50MAX	70MAX	100MAX	120MAX	250MAX	250VR	ANGLE
±0.15	±0.20	±0.30	±0.40	±0.50	±0.75	±0.9	±1.4	±0.5°

TOLERANCES UNLESS OTHERWISE SPECIFIED	UNIT MM	DRWN	KH.PARK		
		CHKD	CY.CHOI		
THIRD ANGLE PROJECTION	APVD	SJ.SONG			
		MATERIAL	SEE TABLE-1		
PRODUCT SPEC	APPLICATION SPEC	FINISH/COLOR	SEE TABLE-1		
		WEIGHT			
CUSTOMER		NAME			
DRAWING		025 SMT 8M HDR ASSY (VTC)			
LOC		DRAWING NO			
RESTRICTED TO		KH1300038			
SIZE	SCALE	SHEET	REV		
A2	5:1	1	7		

CODE	ASSY PART NO.	ASSY DESCRIPTION
B	KH1300038-21	025 SMT 8M HDR ASSY (VTC)
A	KH1300038-10	025 SMT 8M HDR ASSY (VTC)