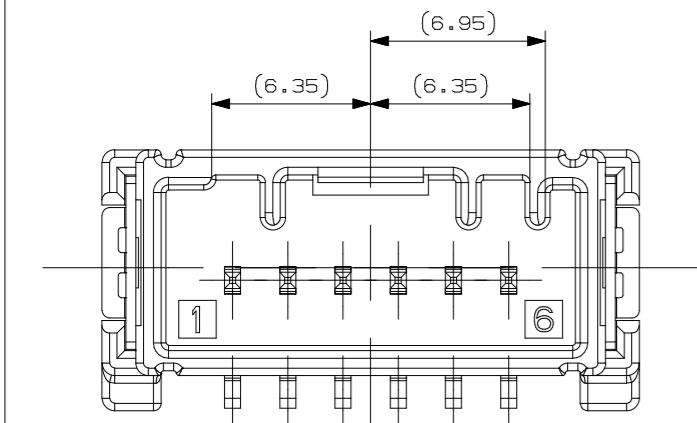
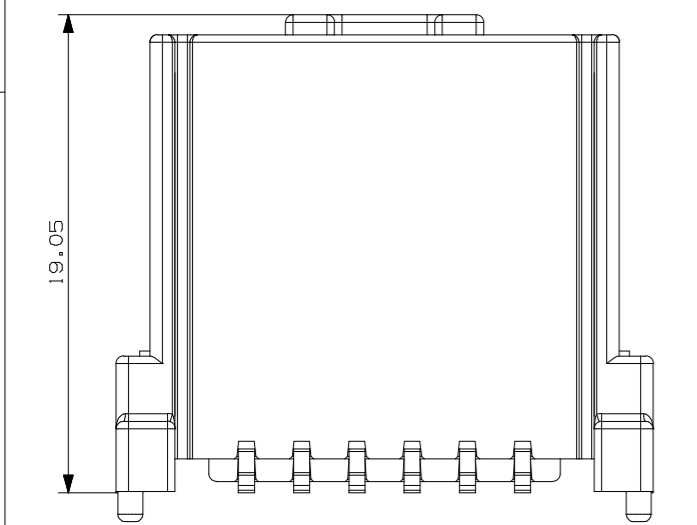


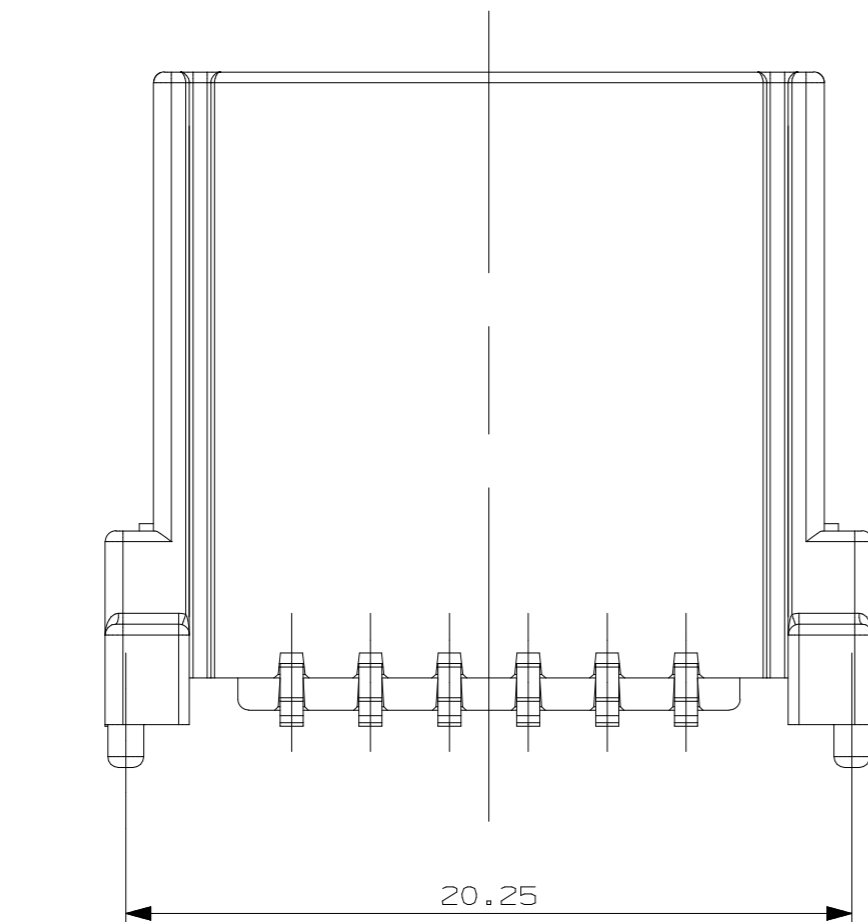
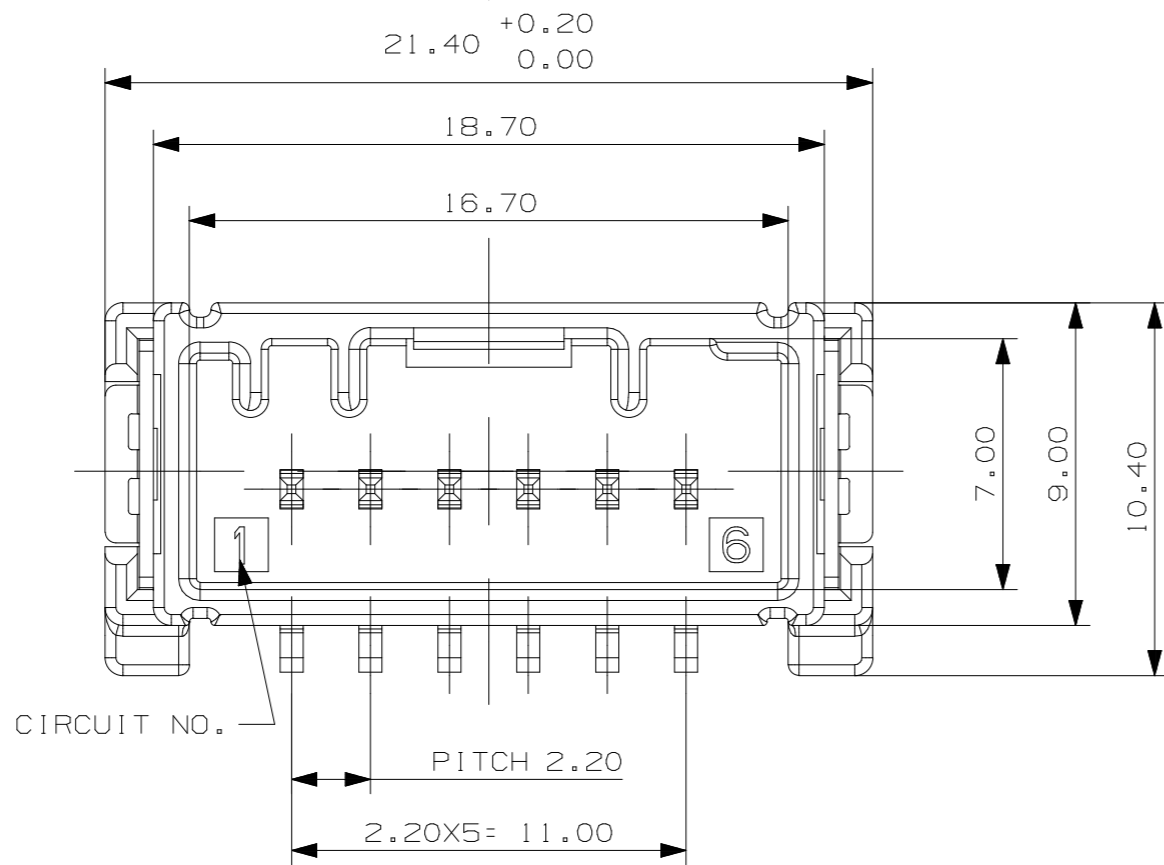
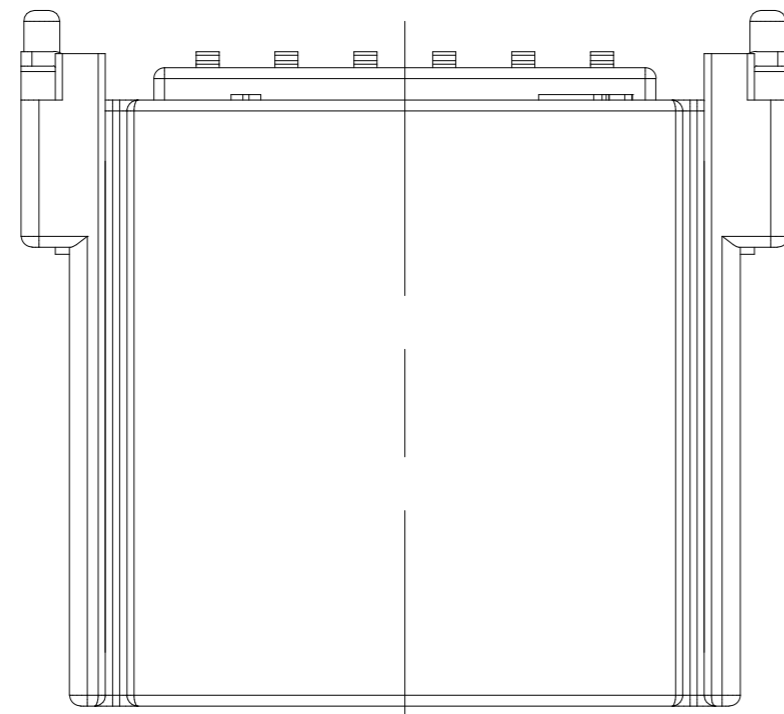
CODE A



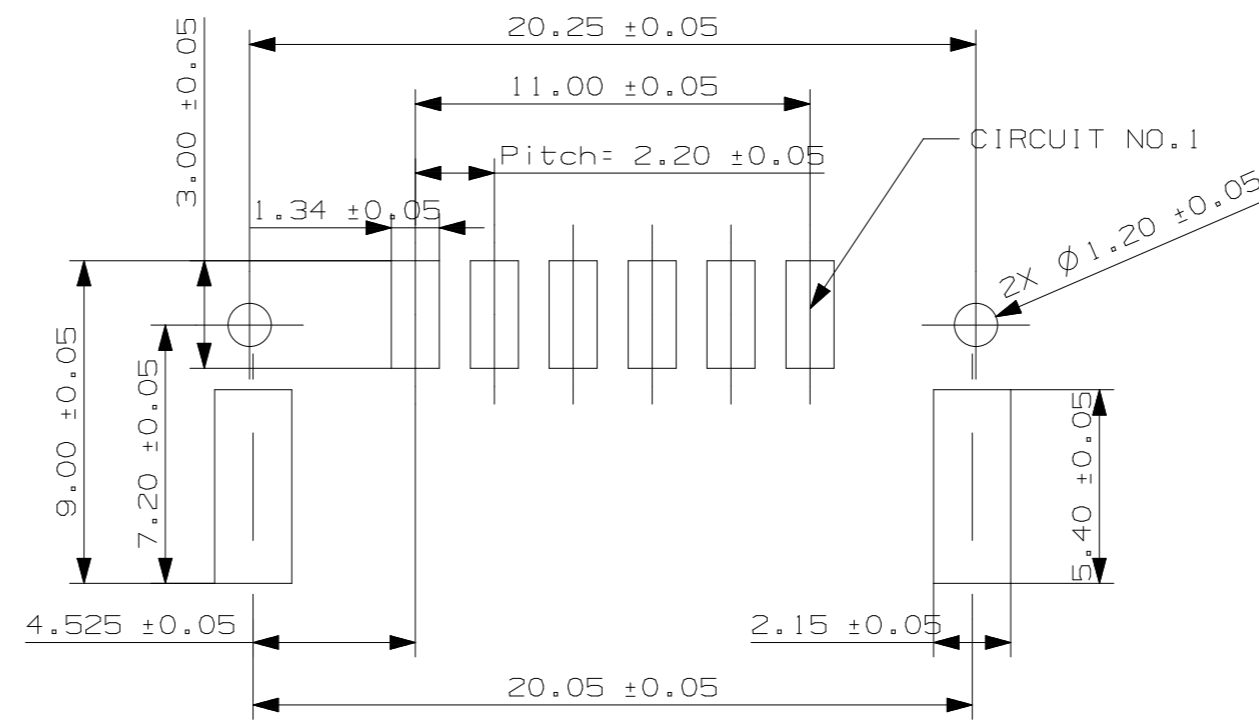
CODE B



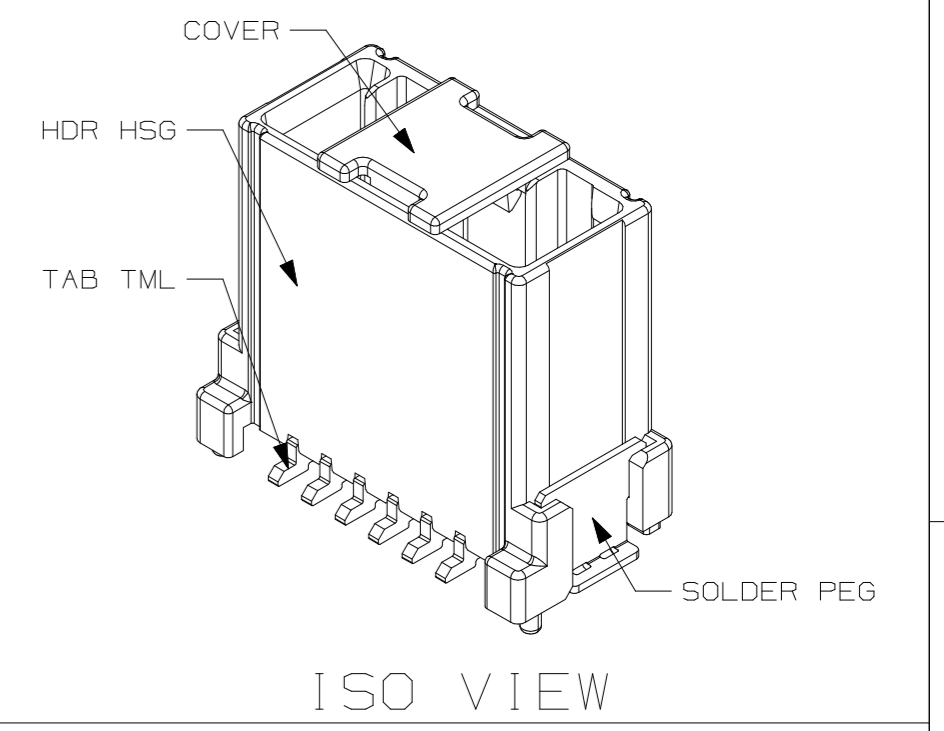
WITH COVER



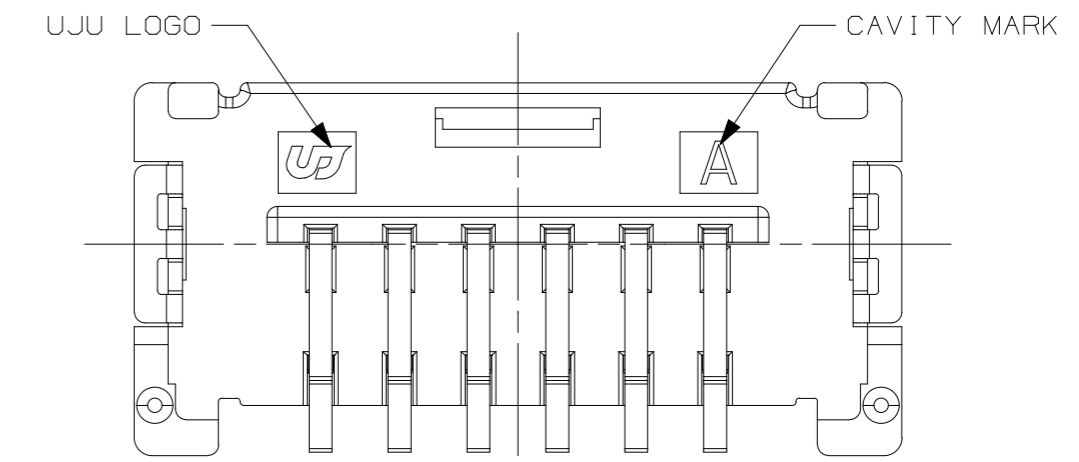
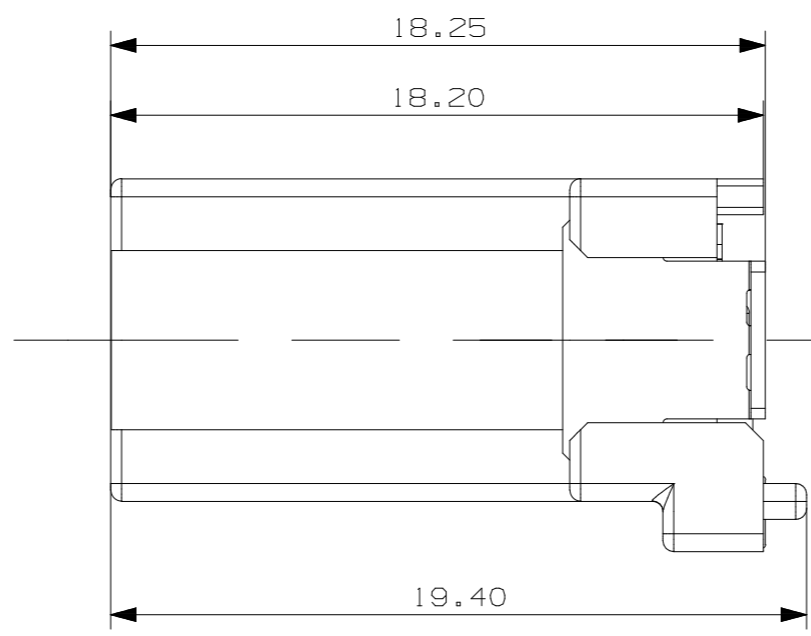
PCB PATTERN



REV	REVISION RECORD	DATE	DRWN	APVD
A	RELEASED (EC NO. : RD-2015-001)	07JAN'15	GR	SJ



ISO VIEW



- NOTE
- GENERAL TOLERANCE : ±0.15, ±3.0°
 - HSG DESCRIPTION : SEE (TABLE-1)
 - MATERIAL
 - HDR HSG : PPA-GF15
 - SOLDER PEG : COPPER ALLOY (POST-TIN)
 - TAB TML : COPPER ALLOY (POST-TIN)

NO	DESCRIPTION	CODE	MATERIAL	COLOR/FINISH	Q'TY	ASSY PART NO.	CODE	REV.
4	025 SMT HDR Cover (VTC)	-	PPA-GF15	BLACK	1	KH1300031-20	A	
3	025 SMT Solder Peg-L (VTC)	-	BRASS	POST-TIN	1	KH1300031-10	A	
	025 SMT Solder Peg-R (VTC)	-		POST-TIN	1			
2	025 SMT Tab TML (VTC)	-	BRASS	POST-TIN	6			
1	025 6M SMT HDR HSG (VTC)	B	PPA-GF15	BLACK	1			
	025 6M SMT HDR HSG (VTC)	A		NATURAL	-	1		

TOLERANCES UNLESS OTHERWISE SPECIFIED 0 ± 0.0 ± 0.00 ± 0.000 ± 0.0000 ± ANGLES ± PRODUCT SPEC		UNIT MM THIRD ANGLE PROJECTION		DRWN GR,CHOI CHKD YD,LEE APVD S.J.SONG MATERIAL SEE TABLE-1 FINISH/COLOR SEE TABLE-1 WEIGHT		NAME (주)우주 일렉트로닉스 UJU Electronics co.,Ltd.	
025 6M SMT HDR ASSY(VTC)				CUSTOMER		DRAWING NO KH1300031	
LDC RESTRICTED TO		SIZE A2		SCALE 5/1		SHEET 1 of 1	
						REV A	