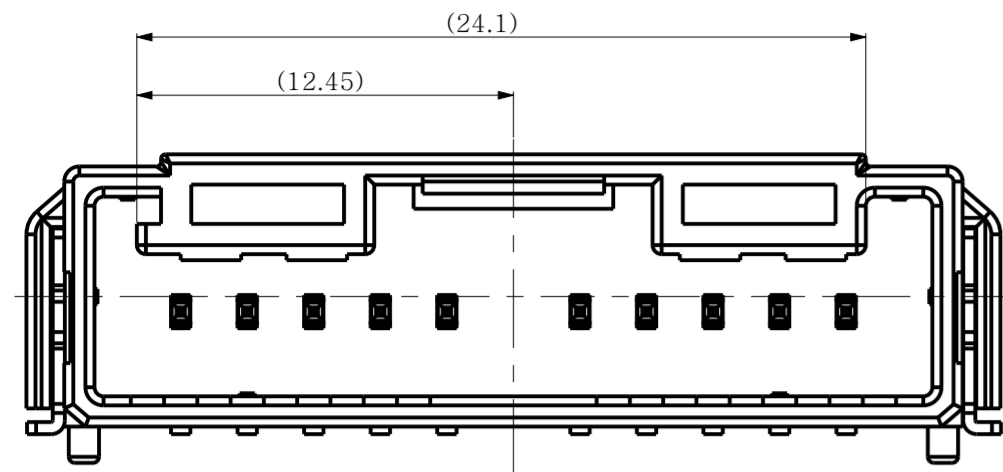
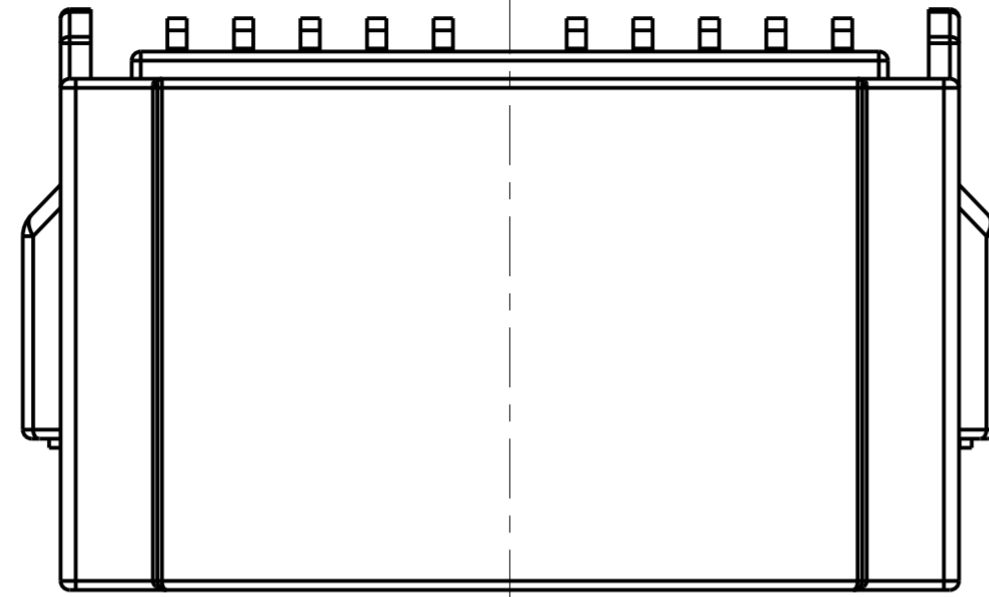
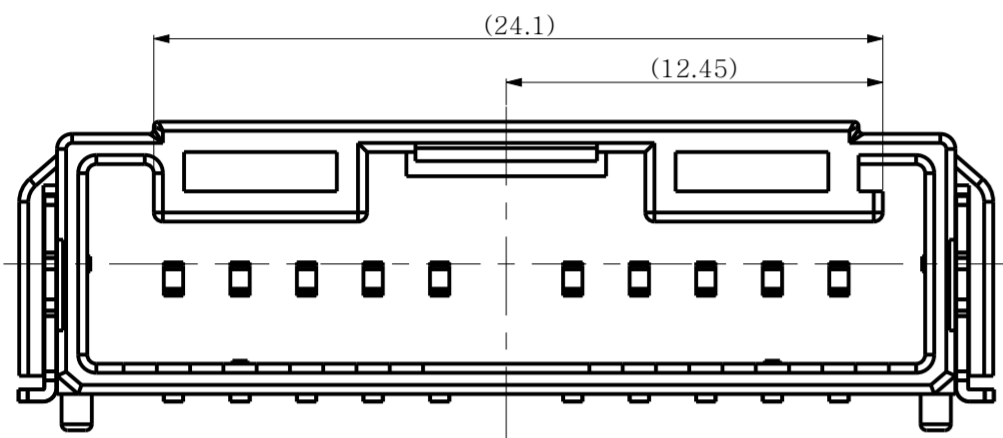


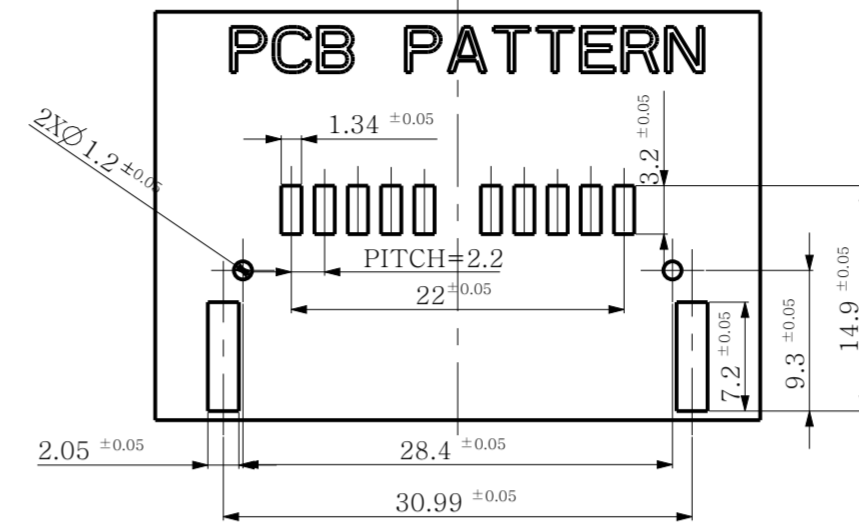
CODE A



CODE B

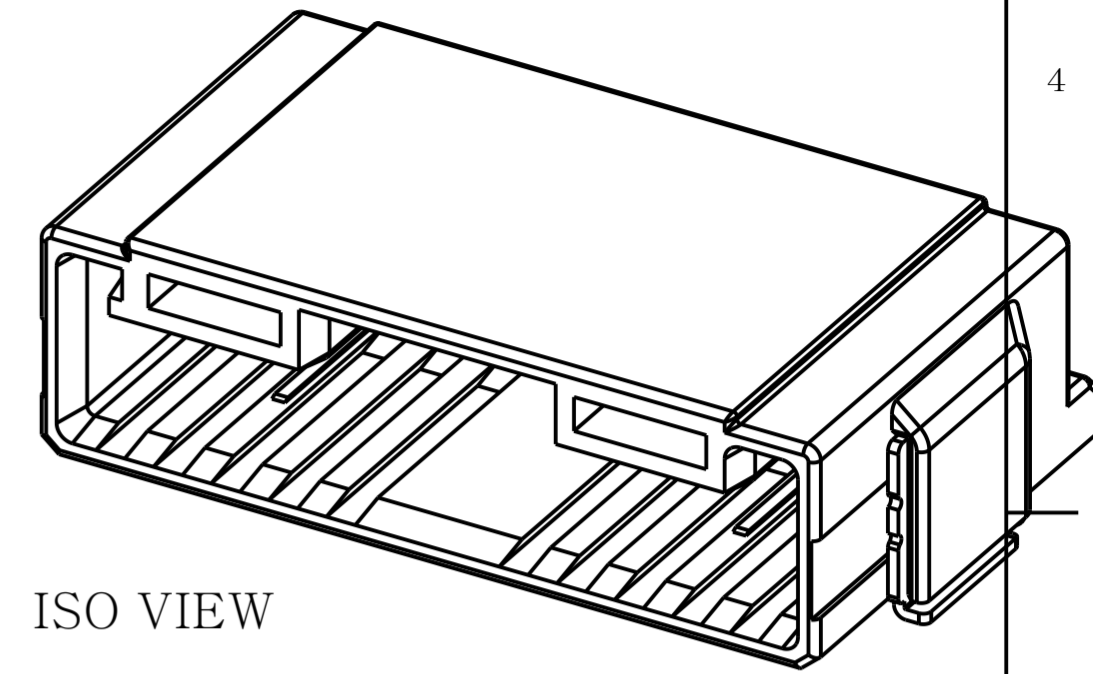


PCB PATTERN

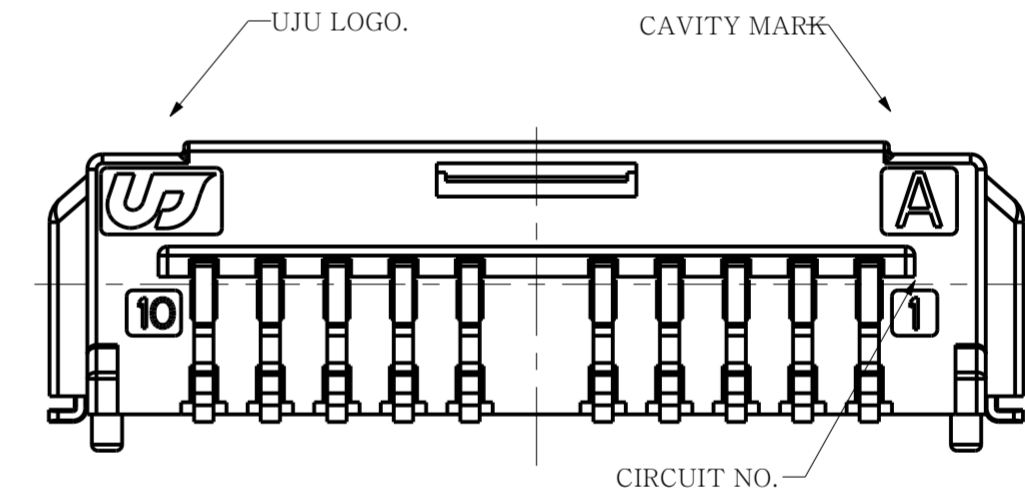
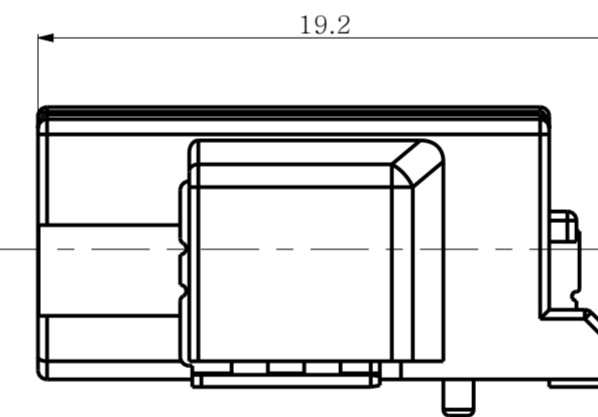
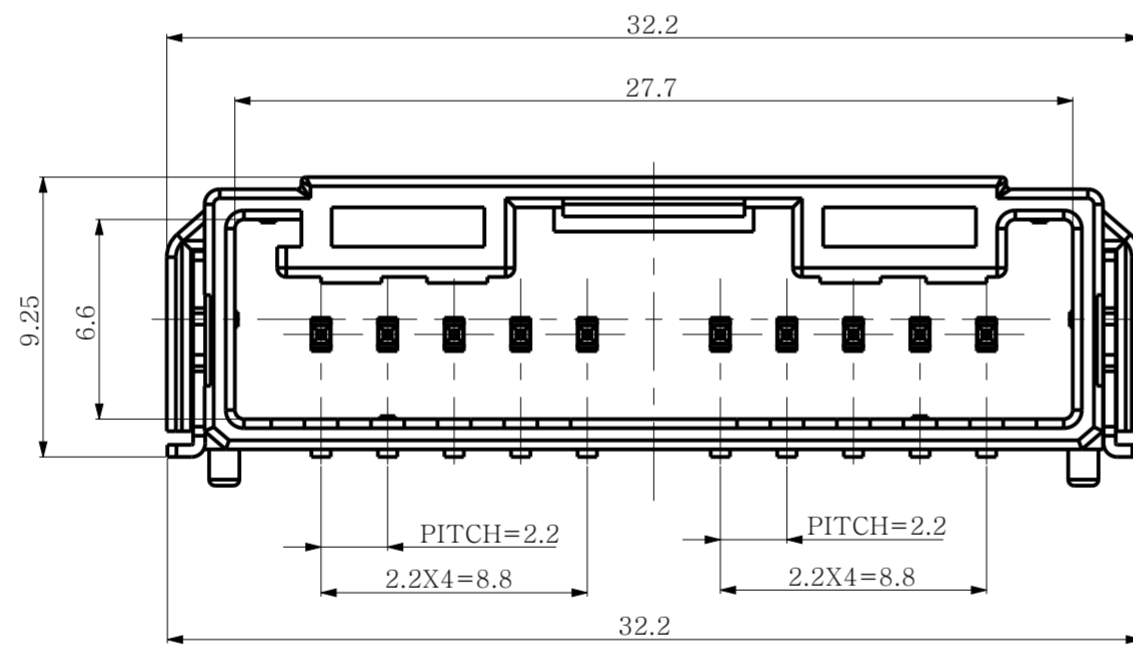


SCALE 2:1

REV	REVISION RECORD	DATE	DRWN	CHKD	APVD
A	RELEASED (RD-2020-158)	02.DEC.20	JH	KH	CY



ISO VIEW



NOTE

- General Tolerance : SEE TABLE TOLERANCE
- HSG DESCRIPTION : SEE TABLE-1
- MATERIAL
 - HDR HSG : PPA-GF15
 - SOLDER PEG : COPPER ALLOY (POST-TIN)
 - TAB TML : COPPER ALLOY (POST-TIN)

TABLE-1

NO.	DESCRIPTION	PART NO.	CODE	MATERIAL	FINISH/COLOR	Q'TY	Q'TY
4	025 SMT SOLDER PEG-LEFT (HZT)	KM1300054-21	-	BRASS	POST-TIN	1	1
3	025 SMT SOLDER PEG-RIGHT (HZT)	KM1300054-20	-		POST-TIN	1	1
2	025 SMT TAB TML (HZT)	KM1300053-20	-	BRASS	POST-TIN	10	10
1	025_D_SMT_10M_HDR_HSG (HZT)	KM1900073-21	B	PPA GF15	BLACK	1	-
		KM1900073-10	A		NATURAL	-	1

ASSY DESCRIPTION	ASSY PART NO.	CODE
025_D_SMT_10M_HDR_HSG (HZT)/B CODE	KH1900072-21	B
025_D_SMT_10M_HDR_HSG (HZT)/A CODE	KH1900072-10	A

TOLERANCE								
10MAX	30MAX	50MAX	70MAX	100MAX	120MAX	250MAX	250VR	ANGLE
±0.15	±0.20	±0.30	±0.40	±0.50	±0.75	±0.9	±1.4	±0.5°

UAD-RD-0008 REV.01(201112)

D

C

B

A

DRWN JH.RYU	(주)우주일렉트로닉스 UJU Electronics co.,Ltd.
CHKD KH.PARK	
APVD CY.CHOI	
NAME 025_D_SMT_10M_HDR_ASSY	DRAWING NO. KH1900072
CUSTOMER DRAWING	LOC RESTRICTED TO
MATERIAL SEE TABLE-1	SIZE SCALE
FINISH/COLOR SEE TABLE-1	SHEET 1 OF 1
WEIGHT	REV A

1

2

3

4