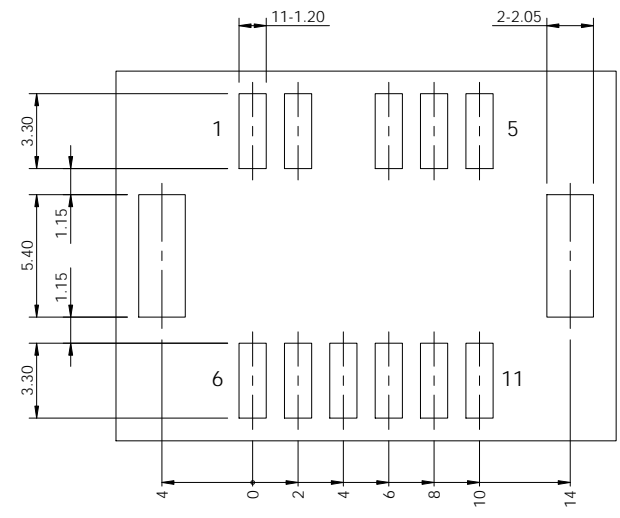
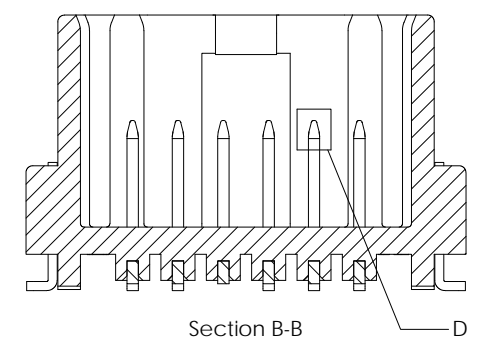
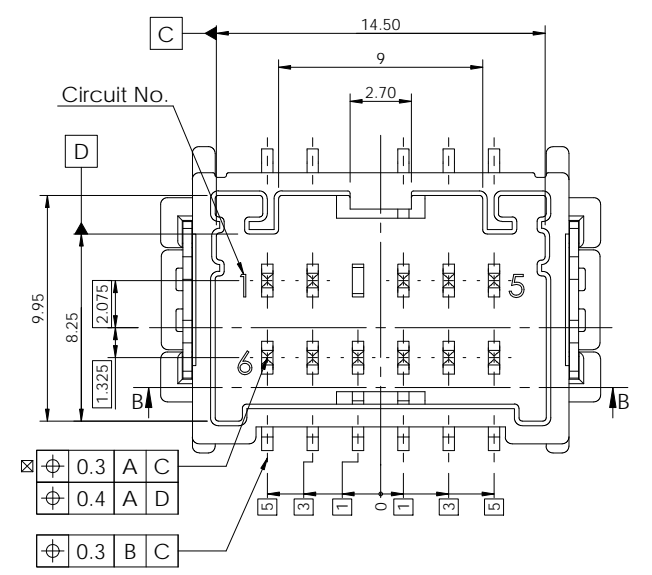


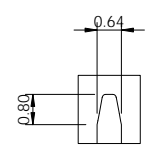
| REV | REVISION RECORD | DATE | DRWN | CHKD | APVD |
|-----|------------------------------------|------------|------|------|------|
| 1 | ENGINEERING RELEASED (RD-2022-089) | 07 JUL '22 | JK | SJ | CY |



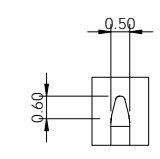
PCB Pattern
General tolerance : ±0.05



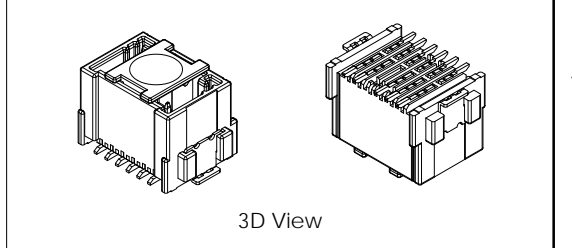
Section B-B



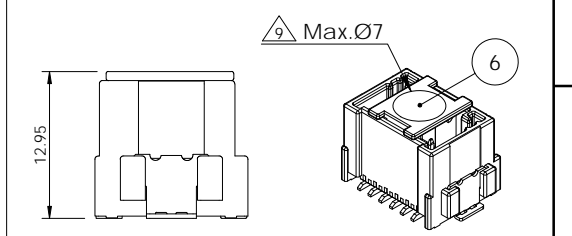
Detail C
scale 5 : 1



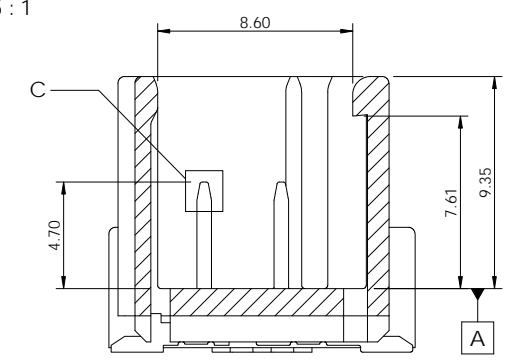
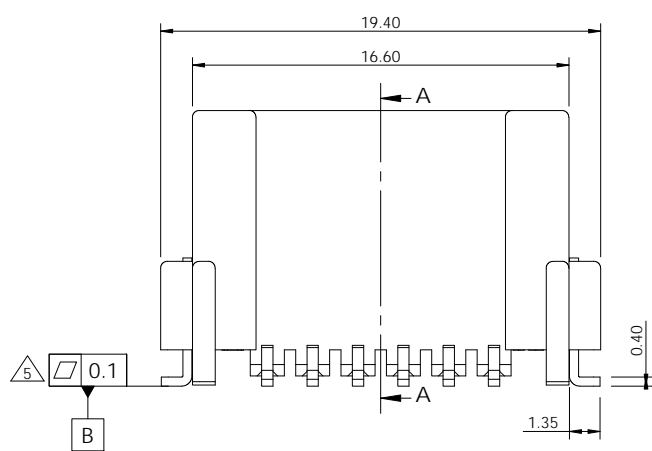
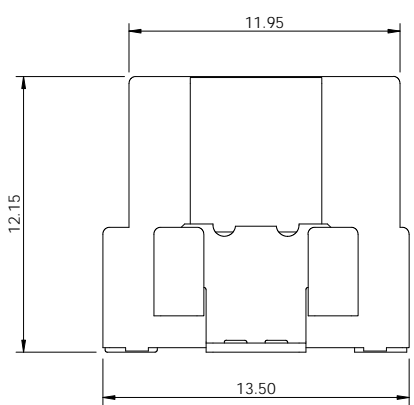
Detail D
Scale 5 : 1



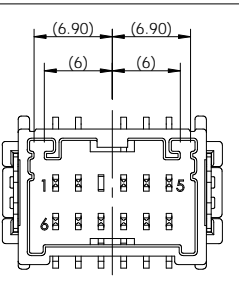
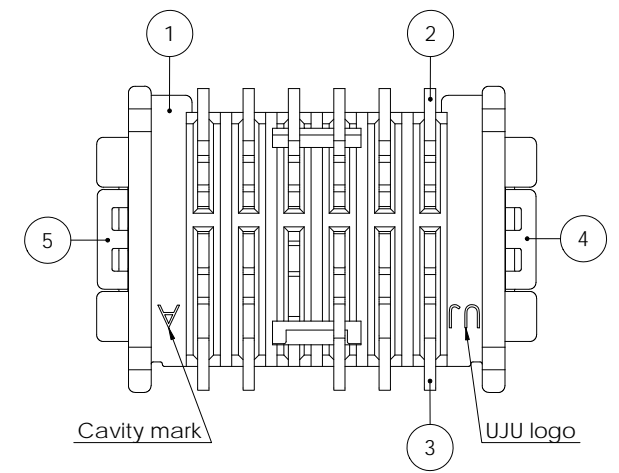
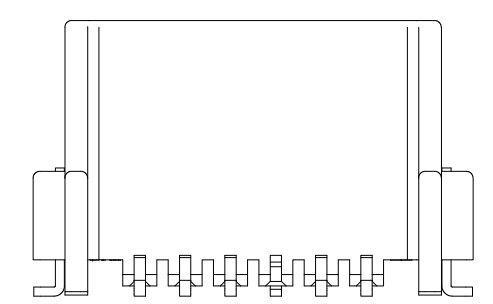
3D View



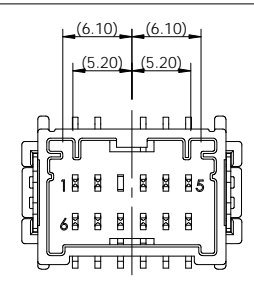
Scale 1.5 : 1
Delivery condition (Cover assembly)



Section A-A



Code A (Natural)
Scale 1.5 : 1



Code B (Black)
Scale 1.5 : 1

-Note-

- General Tolerance : DIN 16742 TG5 specification
- Burr Max.0.3
- No crack
- All letters shall be clear and legible.
- Measuring the demensions of Tab and SPeg.
- Finish (Tab and SPeg)
- Sn plating 2.5~4.0µm over Ni 1.0~3.0µm
- Au plating Min. 0.38µm
- Packing : Emboss tape
- Flammability : UL94-V0
- Vacum grip area free of burr and factor pins, Max.Ø7.0

| No. | Description | Material | Finish / Color | Q'ty |
|-----|-----------------------------|-----------|----------------|------|
| 6 | 020_D_C_TR_SMT_Cover_BK | PA9T-GF30 | Black | 1 1 |
| 5 | 025_SMT_V_SPeg_L | C2680R-H | Post-Sn | 1 1 |
| 4 | 025_SMT_V_SPeg_R | C2680R-H | Post-Sn | 1 1 |
| 3 | 020_TR_SMT_V_Tab_Au | C2680R-H | Post-Au/Sn | 5 5 |
| 2 | 020_SMT_V_Tab_Au | C2680R-H | Post-Au/Sn | 6 6 |
| 1 | 020_D_C_TR_SMT_11M_V_HSG_BK | PA9T-GF30 | Black | 1 - |
| | 020_D_C_TR_SMT_11M_V_HSG_NR | PA9T-GF30 | Natural | - 1 |

| Description | Part No. | Code |
|---------------------------------|--------------|------|
| 020_D_C_TR_SMT_11M_V_ASSY_BK_Au | KH2200072-21 | B |
| 020_D_C_TR_SMT_11M_V_ASSY_NR_Au | KH2200072-10 | A |

| | | | | | | | |
|---------------------------------------|------------------|------------|---|------------------------|---|--------------------------------------|---|
| TOLERANCES UNLESS OTHERWISE SPECIFIED | | UNIT MM | | THIRD ANGLE PROJECTION | | NAME 020_D_C_TR_SMT_11M_V_ASSY_Au | |
| 0 | ± | 0.0 | ± | 0.00 | ± | 0.000 | ± |
| 0.0000 | ± | 0.0000 | ± | 0.0000 | ± | 0.0000 | ± |
| ANGLES | ± | ANGLES | ± | ANGLES | ± | ANGLES | ± |
| PRODUCT SPEC | APPLICATION SPEC | WEIGHT | | | | | |

| | | | | |
|------------------------|--------------|------------------|--------------------|---------|
| DRWN JK. HWANG | CHKD SJ. LEE | APVD CY. CHOI | MATERIAL SEE TABLE | |
| FINISH/COLOR SEE TABLE | | CUSTOMER DRAWING | | |
| DRAWING NO. KH2200072 | | LOC | RESTRICTED TO | SIZE A3 |
| SCALE 3:1 | SHEET 1 of 1 | REV 1 | | |