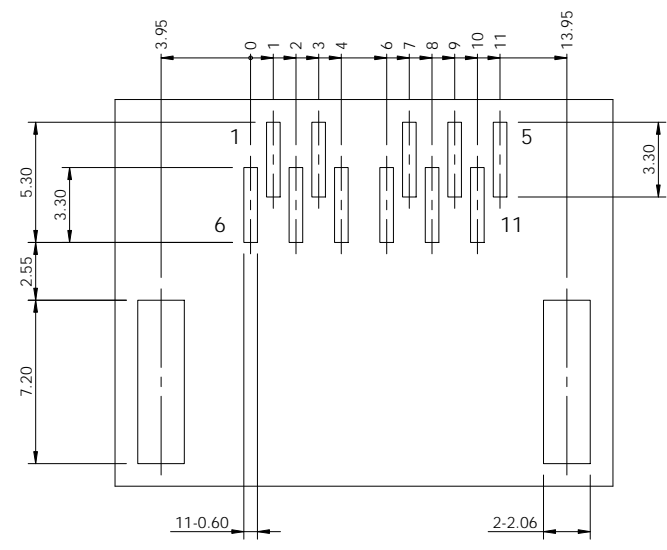
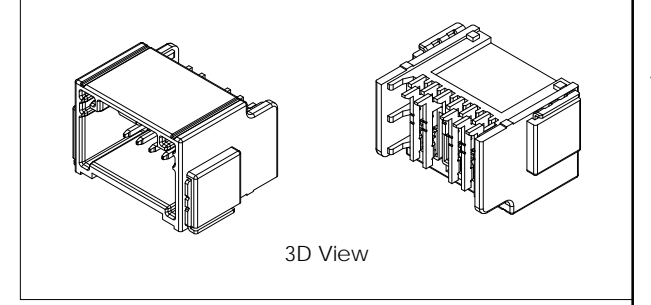
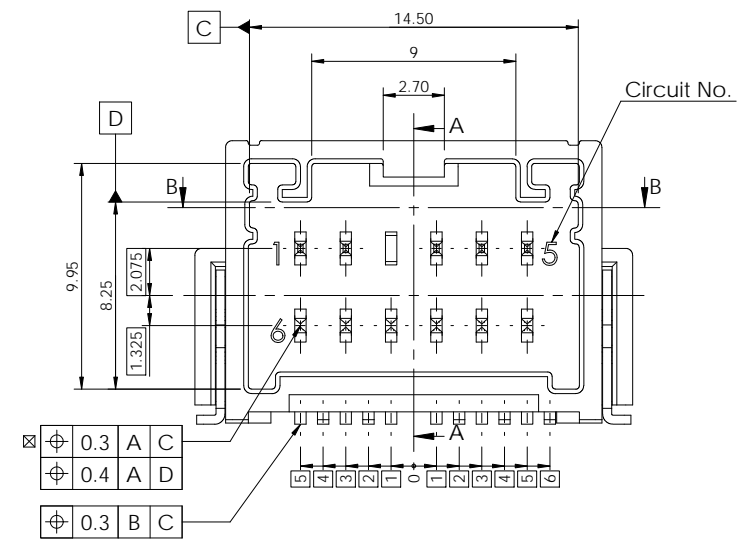
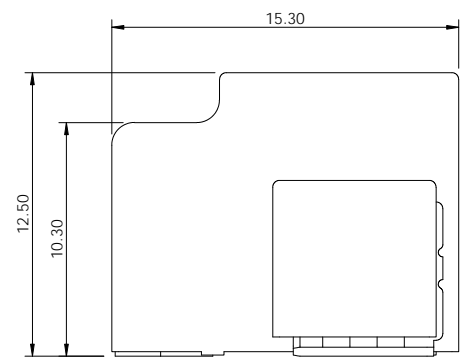
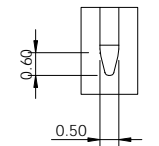
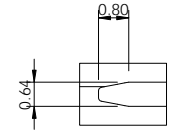
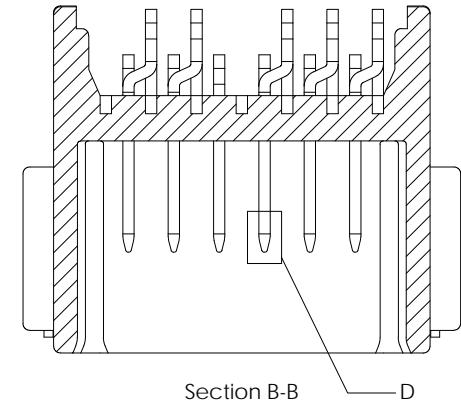
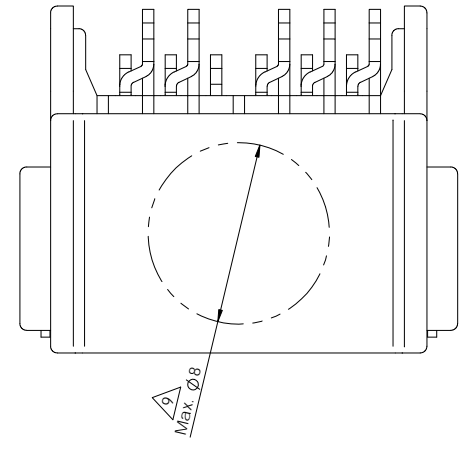


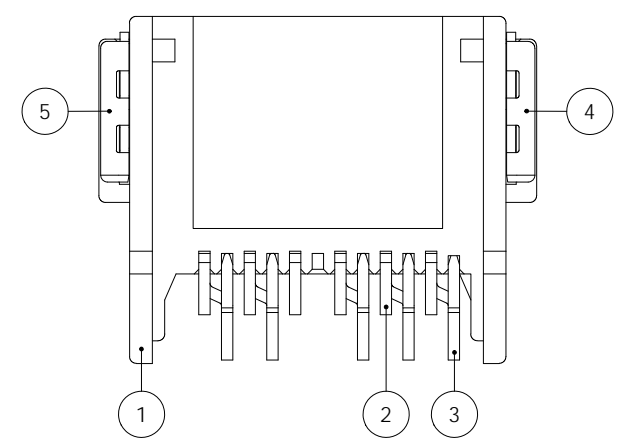
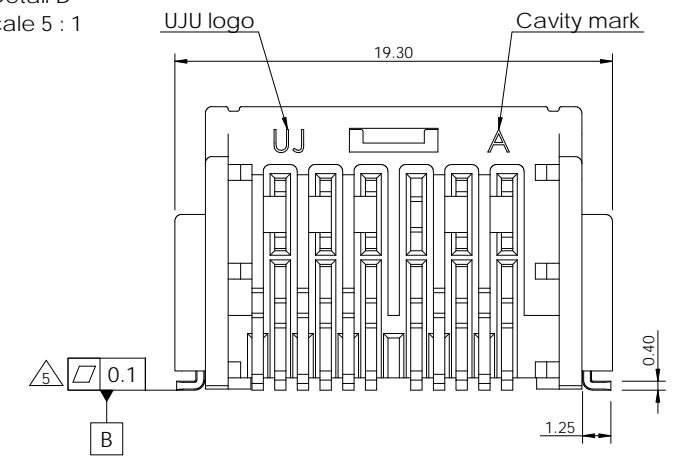
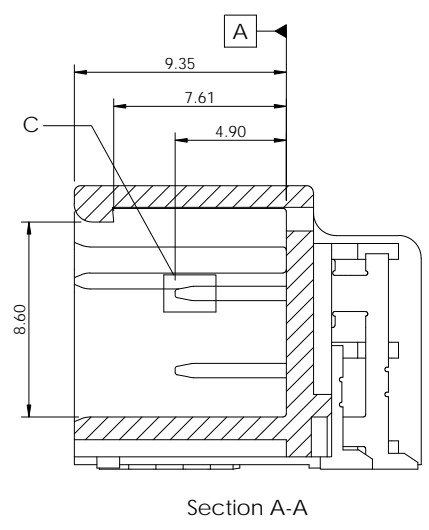
REV	REVISION RECORD	DATE	DRWN	CHKD	APVD
1	ENGINEERING RELEASED (RD-2022-089)	07 JUL '22	JK	SJ	CY



PCB Pattern
General tolerance : ±0.05

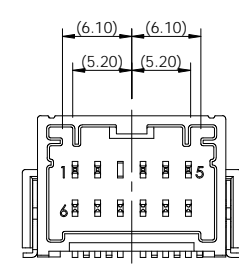
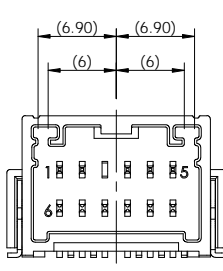


⊕ 0.3	A	C
⊕ 0.4	A	D
⊕ 0.3	B	C



-Note-

- General Tolerance : DIN 16742 TG5 specification
- Burr Max.0.3
- No crack
- All letters shall be clear and legible.
- Measuring the demensions of Tab and SPeg.
- Finish (Tab and SPeg)
- Sn plating 2.5~4.0μm over Ni 1.0~3.0μm
- Au plating Min. 0.38μm
- Packing : Emboss tape
- Flammability : UL94-V0
- Vacum grip area free of burr and factor pins, Max.Ø8.0



No.	Description	Material	Finish / Color	Q'ty
5	025_SMT_H_SPeg_L	C2680R-H	Post-Sn	1 1
4	025_SMT_H_SPeg_R	C2680R-H	Post-Sn	1 1
3	020_D_TR_SMT_H_Tab_L_Au	C2680R-H	Post-Au/Sn	5 5
2	020_D_TR_SMT_H_Tab_S_Au	C2680R-H	Post-Au/Sn	6 6
1	020_D_C_TR_SMT_11M_H_HSG_BK	PA9T-GF30	Black	1 -
	020_D_C_TR_SMT_11M_H_HSG_NR	PA9T-GF30	Natural	- 1

Description	Part No.	Code
020_D_C_TR_SMT_11M_H_ASSY_BK_Au	KH2200067-21	B
020_D_C_TR_SMT_11M_H_ASSY_NR_Au	KH2200067-10	A

TOLERANCES UNLESS OTHERWISE SPECIFIED		UNIT MM		THIRD ANGLE PROJECTION		DRWN JK. HWANG		(주)우주일렉트로닉스 UJU Electronics co.,Ltd.	
0	±	0.0	±	0.00	±	APVD CY. CHOI	NAME		
0.000	±	0.0000	±	ANGLES	±	MATERIAL	SEE TABLE	020_D_C_TR_SMT_11M_H_ASSY_Au	
PRODUCT SPEC	APPLICATION SPEC	WEIGHT		FINISH/COLOR		SEE TABLE	CUSTOMER	DRAWING NO	
						DRAWING		KH2200067	
LOC	RESTRICTED TO	SIZE	SCALE	SHEET	REV				
		A3	3:1	1 of 1	1				