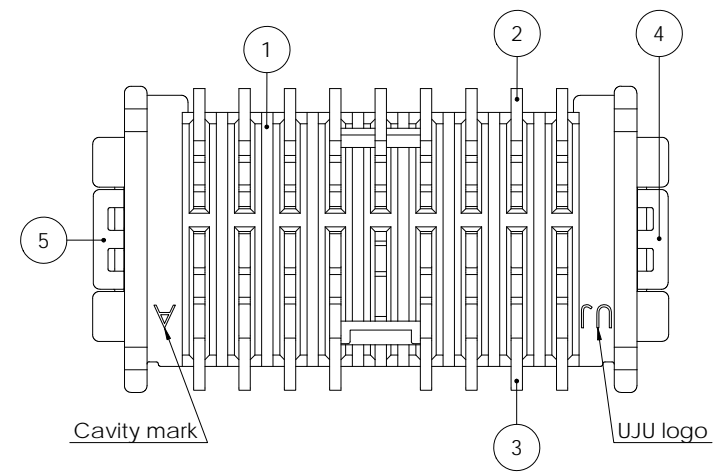
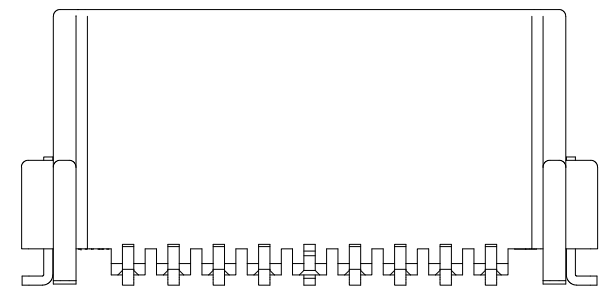
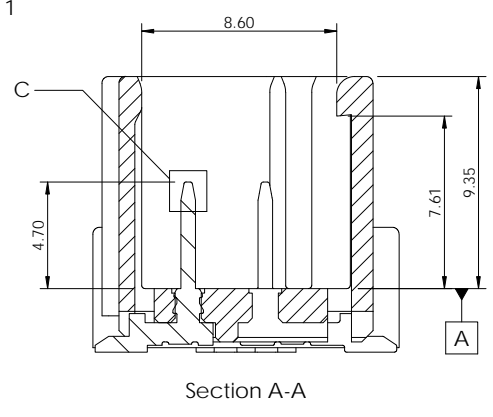
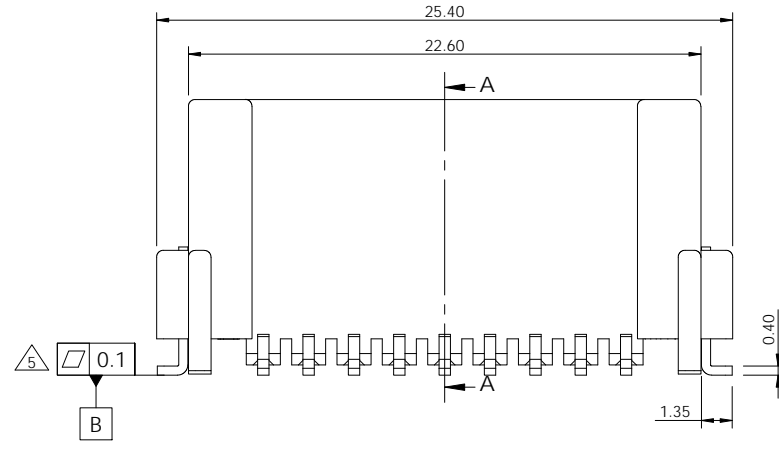
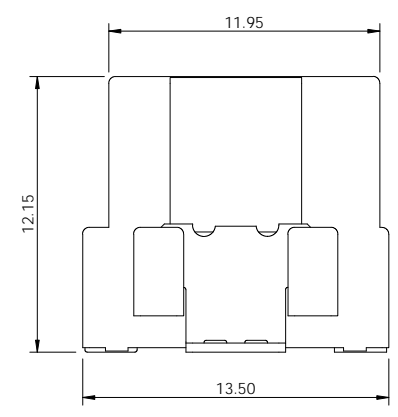
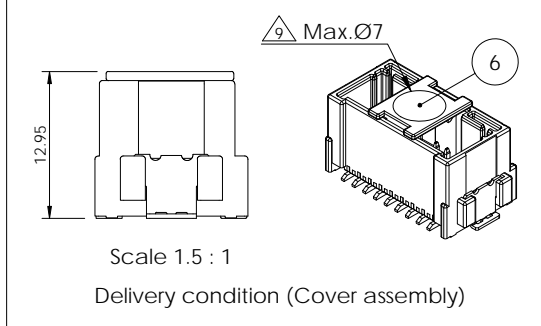
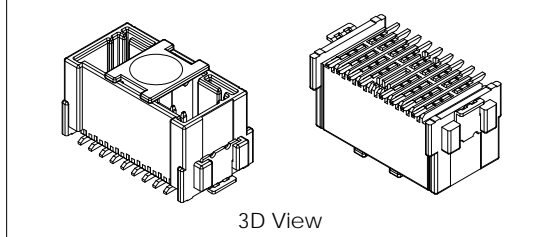
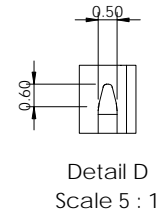
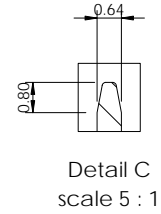
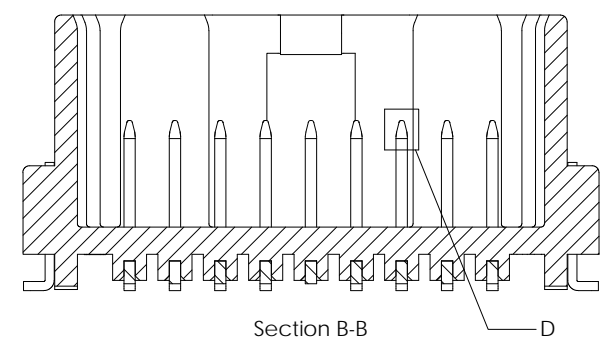
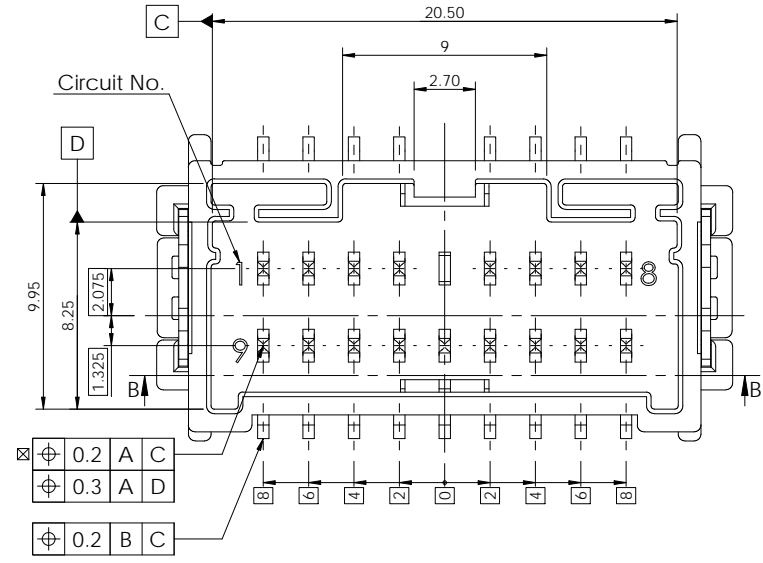
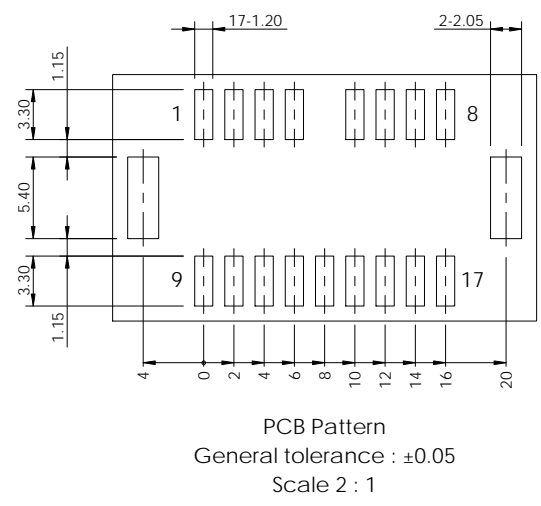
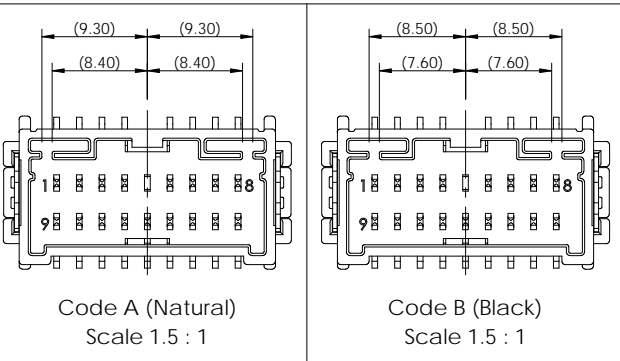


REV	REVISION RECORD	DATE	DRWN	CHKD	APVD
1	ENGINEERING RELEASED (RD-2022-114)	20 SEP '22	JK	SJ	CY



-Note-

- General Tolerance : DIN 16742 TG5 specification
- Burr Max.0.3
- No crack
- All letters shall be clear and legible.
- Measuring the demensions of Tab and SPeg.
- Finish (Tab and SPeg)
- Sn plating 2.5~4.0µm over Ni 1.0~3.0µm
- Packing : Emboss tape
- Flammability : UL94-V0
- Vacum grip area free of burr and fector pins, Max.Ø7.0



No.	Description	Material	Finish / Color	Q'ty
6	020_D_C_TR_SMT_Cover_BK	PA9T-GF30	Black	1 1
5	025_SMT_V_SPeg_L	C2680R-H	Post-Sn	1 1
4	025_SMT_V_SPeg_R	C2680R-H	Post-Sn	1 1
3	020_TR_SMT_V_Tab	C2680R-H	Post-Sn	8 8
2	020_SMT_V_Tab	C2680R-H	Post-Sn	9 9
1	020_D_C_TR_SMT_17M_V_HSG_BK	PA9T-GF30	Black	1 -
	020_D_C_TR_SMT_17M_V_HSG_NR	PA9T-GF30	Natural	- 1

Description	Part No.	Code
020_D_C_TR_SMT_17M_V_ASSY_BK	KH2200064-21	B
020_D_C_TR_SMT_17M_V_ASSY_NR	KH2200064-10	A

DRWN JK. HWANG	 (주)우주 일렉트로닉스 UJU Electronics co.,Ltd.	NAME				
CHKD SJ. LEE		020_D_C_TR_SMT_17M_V_ASSY				
APVD CY. CHOI		MATERIAL SEE TABLE				
TOLERANCES UNLESS OTHERWISE SPECIFIED	UNIT	THIRD ANGLE PROJECTION	FINISH/COLOR SEE TABLE			
	MM					
0 ±		WEIGHT	CUSTOMER DRAWING			
0.0 ±				KH2200064		
0.00 ±	LOC	RESTRICTED TO	SIZE		SCALE	SHEET
0.000 ±			A3	3:1	1 of 1	1
0.0000 ±						
ANGLES						
PRODUCT SPEC						