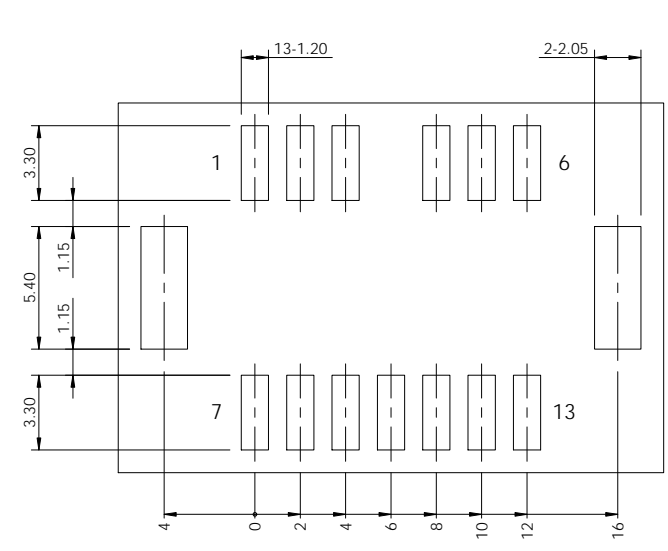
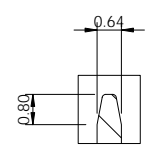
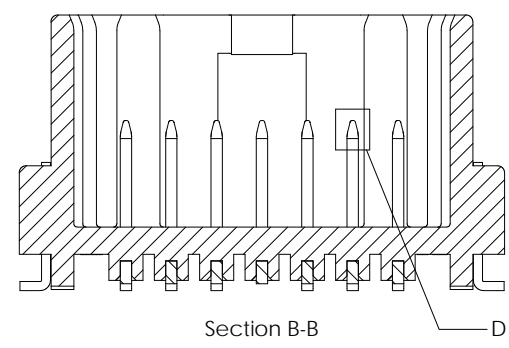
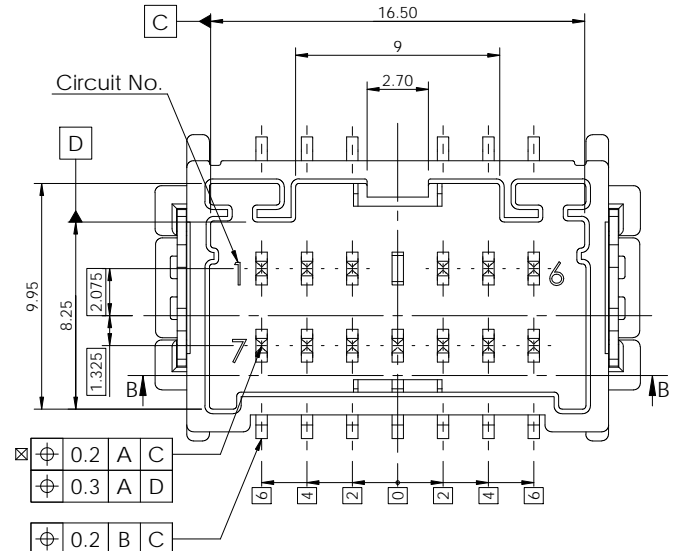


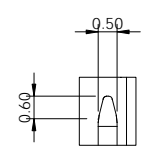
REV	REVISION RECORD	DATE	DRWN	CHKD	APVD
1	ENGINEERING RELEASED (RD-2022-114)	20 SEP '22	JK	SJ	CY



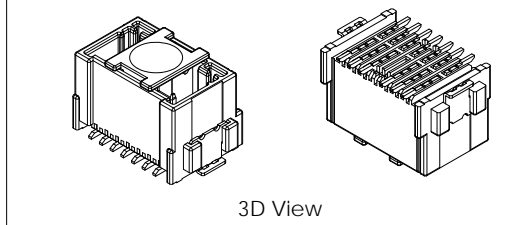
PCB Pattern  
General tolerance : ±0.05



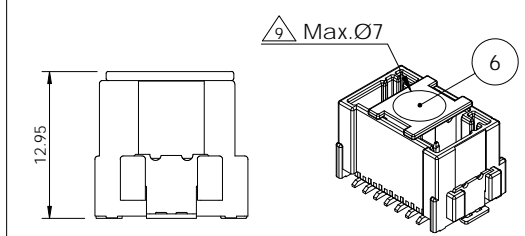
Detail C  
scale 5 : 1



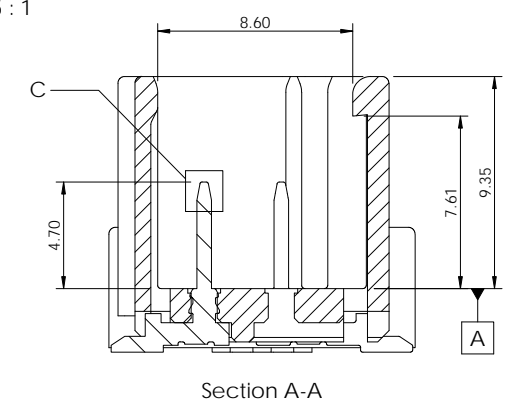
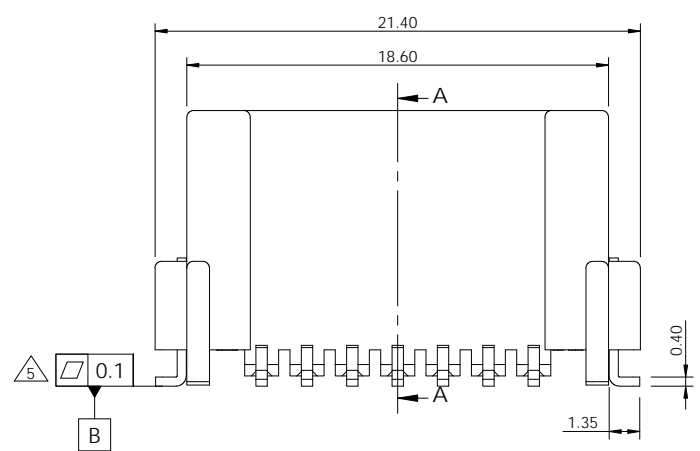
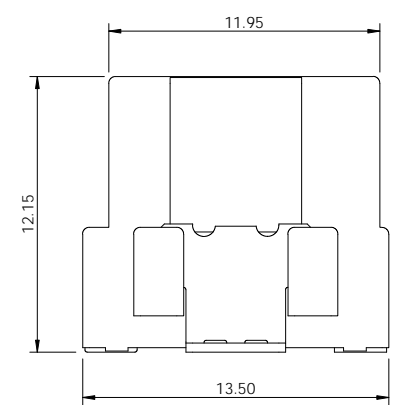
Detail D  
Scale 5 : 1



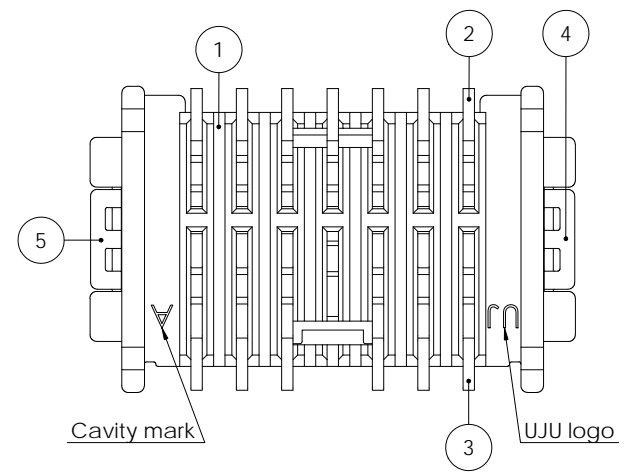
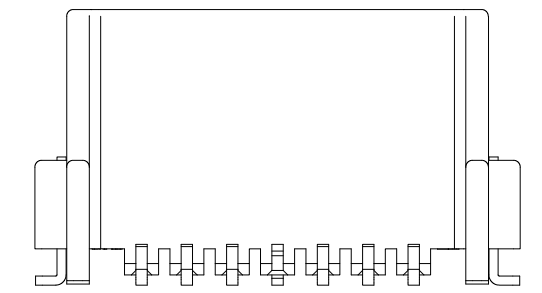
3D View



Scale 1.5 : 1  
Delivery condition (Cover assembly)



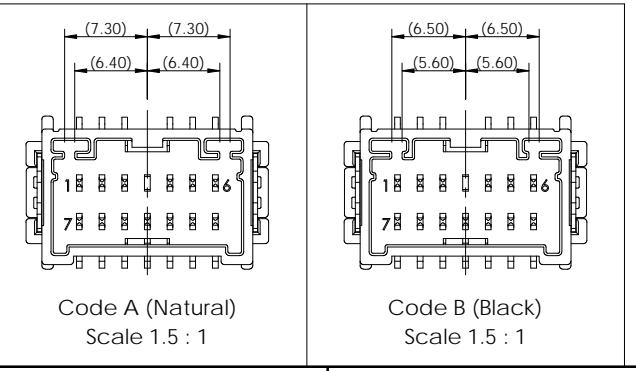
Section A-A



-Note-

- General Tolerance : DIN 16742 TG5 specification
- Burr Max.0.3
- No crack
- All letters shall be clear and legible.
- Measuring the demensions of Tab and SPeg.
- Finish (Tab and SPeg)  
- Sn plating 2.5~4.0µm over Ni 1.0~3.0µm
- Packing : Emboss tape
- Flammability : UL94-V0
- Vacum grip area free of burr and fector pins, Max.Ø7.0

No.	Description	Material	Finish / Color	Q'ty
6	020_D_C_TR_SMT_Cover_BK	PA9T-GF30	Black	1 1
5	025_SMT_V_SPeg_L	C2680R-H	Post-Sn	1 1
4	025_SMT_V_SPeg_R	C2680R-H	Post-Sn	1 1
3	020_TR_SMT_V_Tab	C2680R-H	Post-Sn	6 6
2	020_SMT_V_Tab	C2680R-H	Post-Sn	7 7
1	020_D_C_TR_SMT_13M_V_HSG_BK	PA9T-GF30	Black	1 -
	020_D_C_TR_SMT_13M_V_HSG_NR	PA9T-GF30	Natural	- 1



Code A (Natural)  
Scale 1.5 : 1

Code B (Black)  
Scale 1.5 : 1

Description	Part No.	Code
020_D_C_TR_SMT_13M_V_ASSY_BK	KH2200060-21	B
020_D_C_TR_SMT_13M_V_ASSY_NR	KH2200060-10	A

TOLERANCES UNLESS OTHERWISE SPECIFIED	UNIT MM
0 ±	THIRD ANGLE PROJECTION
0.0 ±	
0.00 ±	
0.000 ±	
0.0000 ±	
ANGLES ±	
PRODUCT SPEC	APPLICATION SPEC

DRWN JK. HWANG	NAME	
CHKD SJ. LEE	020_D_C_TR_SMT_13M_V_ASSY	
APVD CY. CHOI	CUSTOMER	DRAWING NO
MATERIAL SEE TABLE		KH2200060
FINISH/COLOR SEE TABLE	LOC	RESTRICTED TO
WEIGHT	SIZE	SCALE
	A3	3:1
	SHEET	1 of 1
	REV	1