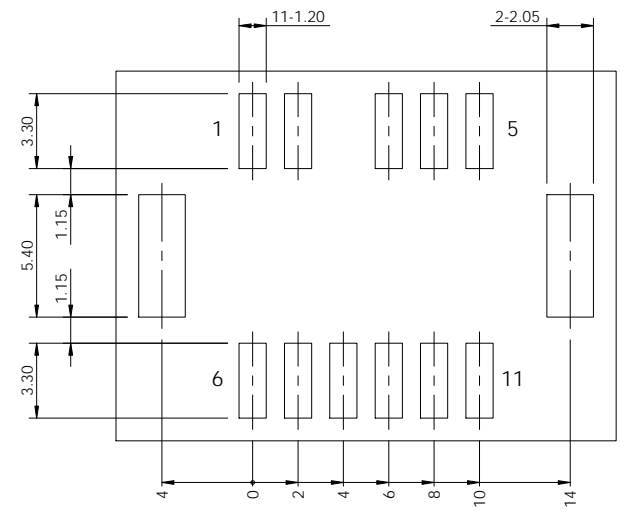
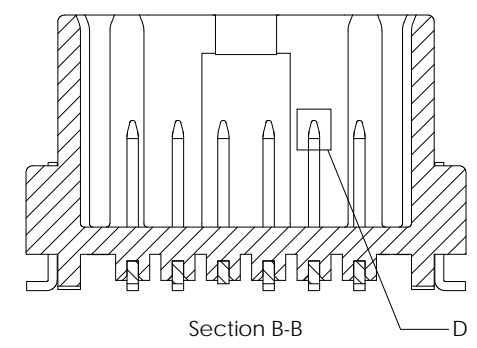
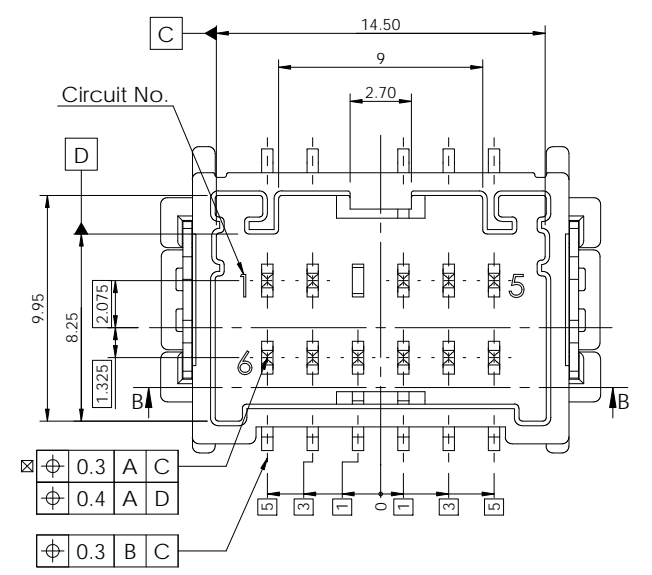


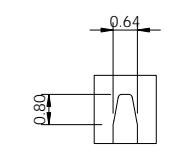
REV	REVISION RECORD	DATE	DRWN	CHKD	APVD
1	ENGINEERING RELEASED (RD-2022-089)	07 JUL '22	JK	SJ	CY



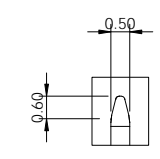
PCB Pattern
General tolerance : ±0.05



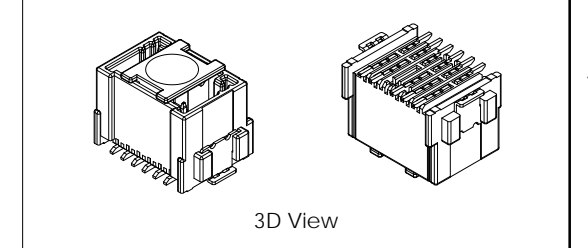
Section B-B



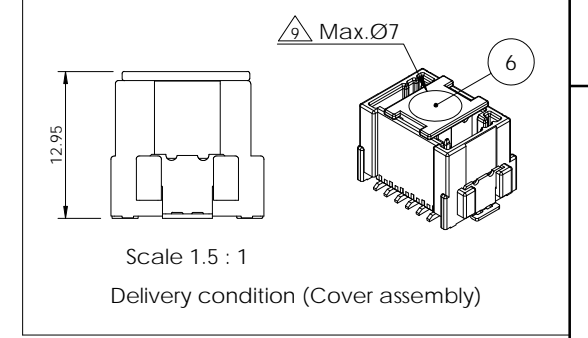
Detail C
scale 5 : 1



Detail D
Scale 5 : 1

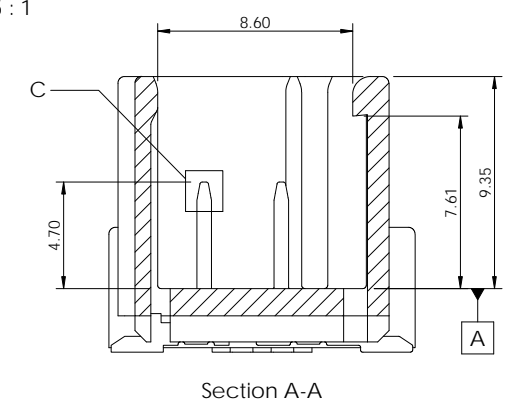
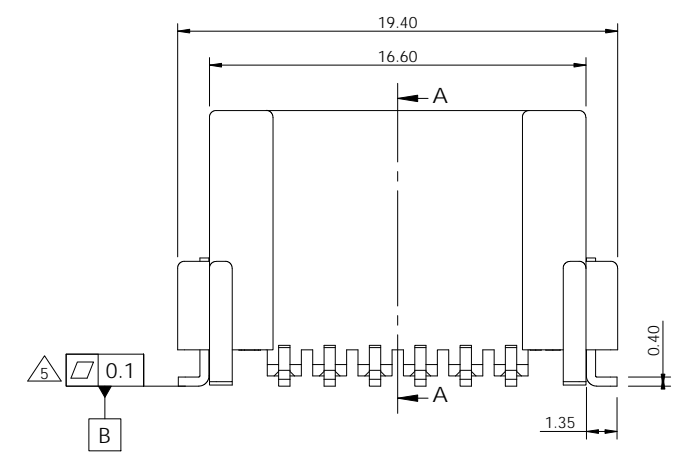
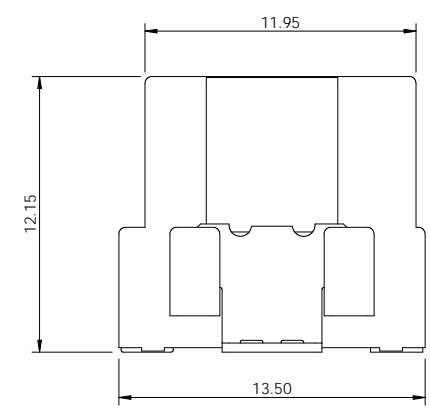


3D View

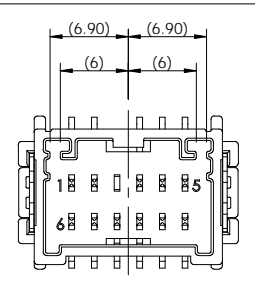
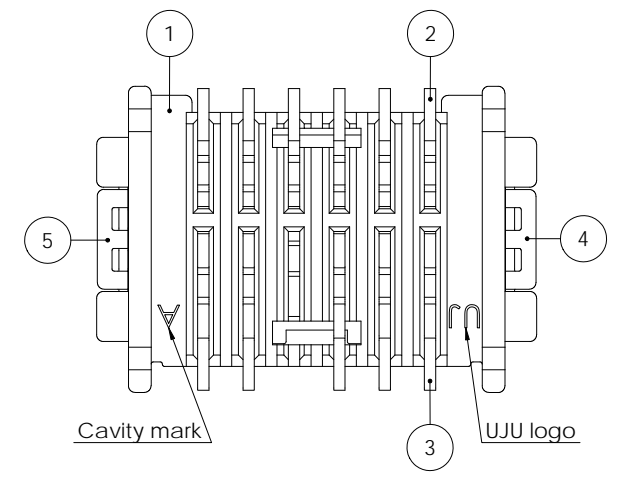
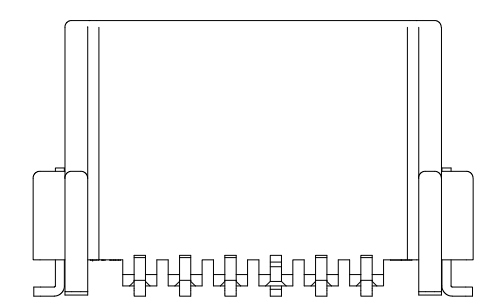


Scale 1.5 : 1

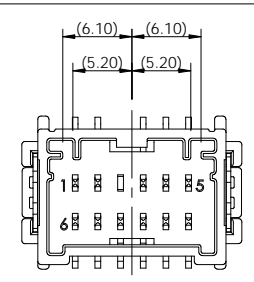
Delivery condition (Cover assembly)



Section A-A



Code A (Natural)
Scale 1.5 : 1



Code B (Black)
Scale 1.5 : 1

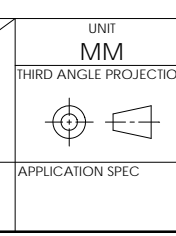
-Note-

- General Tolerance : DIN 16742 TG5 specification
- Burr Max.0.3
- No crack
- All letters shall be clear and legible.
- Measuring the demensions of Tab and SPeg.
- Finish (Tab and SPeg)
- Sn plating 2.5~4.0µm over Ni 1.0~3.0µm
- Packing : Emboss tape
- Flammability : UL94-V0
- Vacum grip area free of burr and fector pins, Max.Ø7.0

No.	Description	Material	Finish / Color	Q'ty
6	020_D_C_TR_SMT_Cover_BK	PA9T-GF30	Black	1 1
5	025_SMT_V_SPeg_L	C2680R-H	Post-Sn	1 1
4	025_SMT_V_SPeg_R	C2680R-H	Post-Sn	1 1
3	020_TR_SMT_V_Tab	C2680R-H	Post-Sn	5 5
2	020_SMT_V_Tab	C2680R-H	Post-Sn	6 6
1	020_D_C_TR_SMT_11M_V_HSG_BK	PA9T-GF30	Black	1 -
	020_D_C_TR_SMT_11M_V_HSG_NR	PA9T-GF30	Natural	- 1

Description	Part No.	Code
020_D_C_TR_SMT_11M_V_ASSY_BK	KH2200058-21	B
020_D_C_TR_SMT_11M_V_ASSY_NR	KH2200058-10	A

TOLERANCES UNLESS OTHERWISE SPECIFIED	UNIT
0 ±	MM
0.0 ±	
0.00 ±	
0.000 ±	
0.0000 ±	
ANGLES	
PRODUCT SPEC	APPLICATION SPEC



DRWN JK. HWANG	NAME UJU (주)우주 일렉트로닉스 UJU Electronics co.,Ltd.				
CHKD SJ. LEE					
APVD CY. CHOI					
MATERIAL SEE TABLE	DRAWING NO KH2200058				
FINISH/COLOR SEE TABLE					
WEIGHT	LOC RESTRICTED TO	SIZE A3	SCALE 3:1	SHEET 1 of 1	REV 1