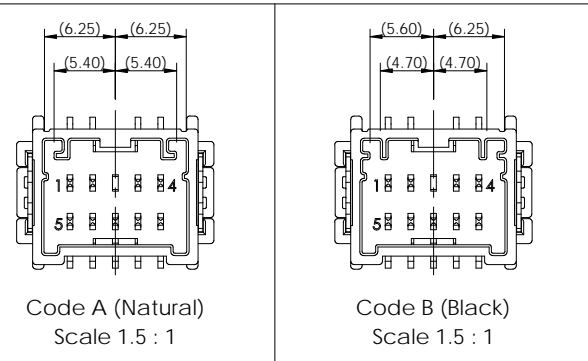
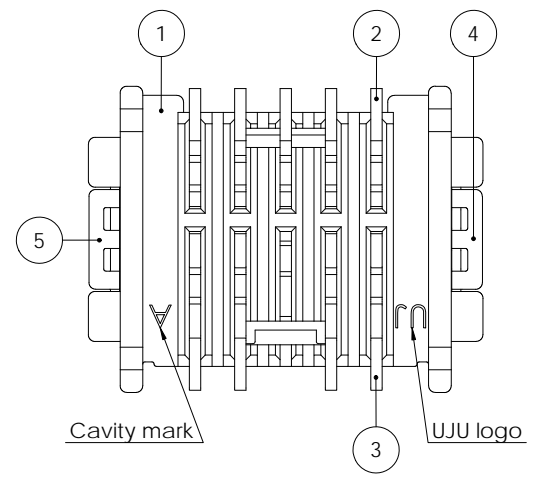
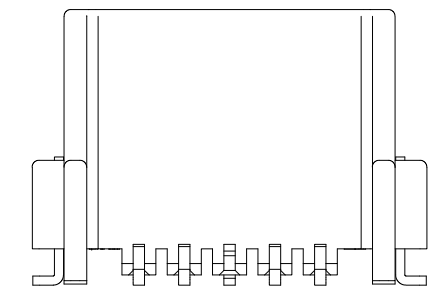
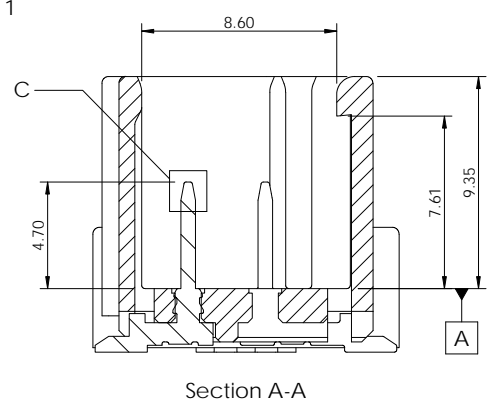
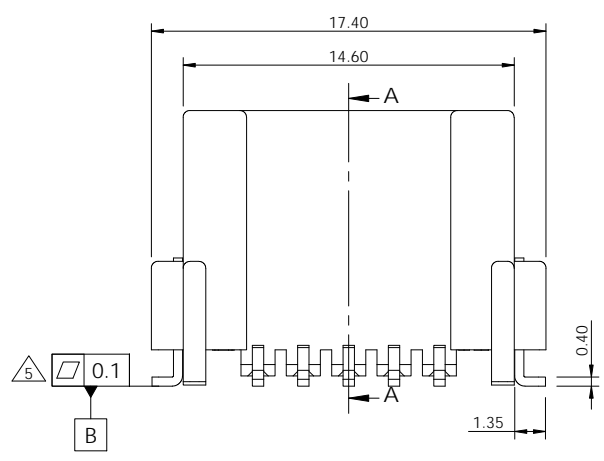
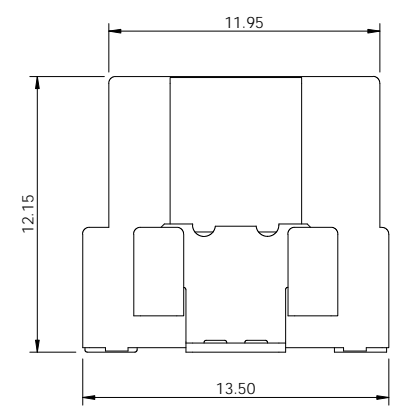
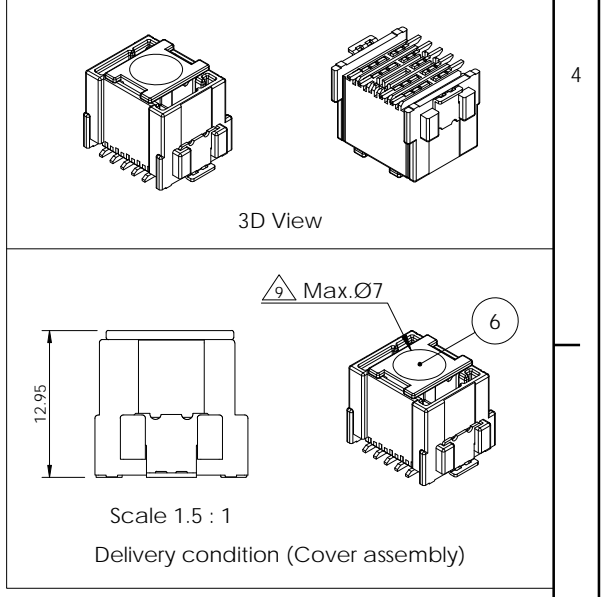
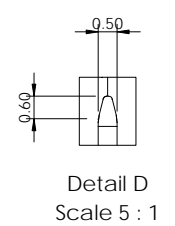
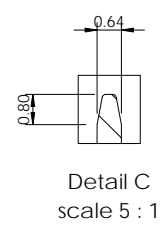
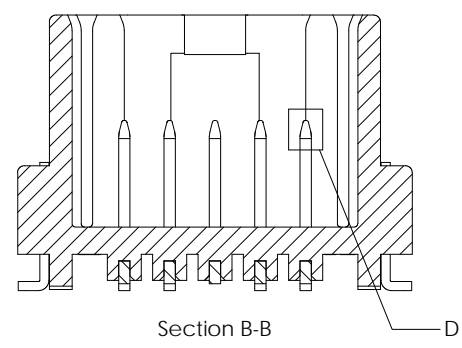
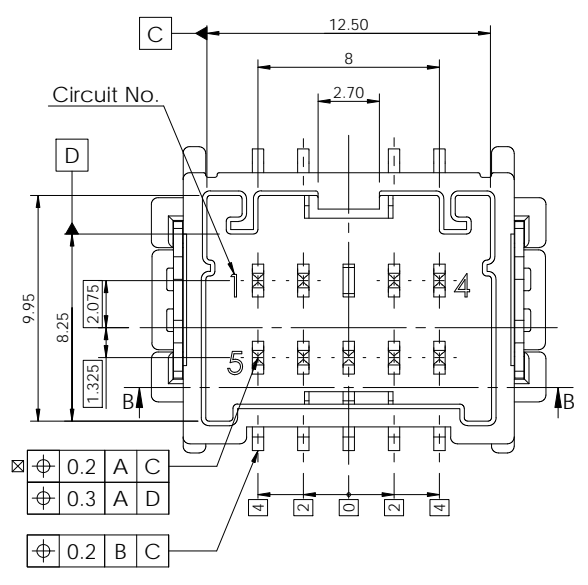
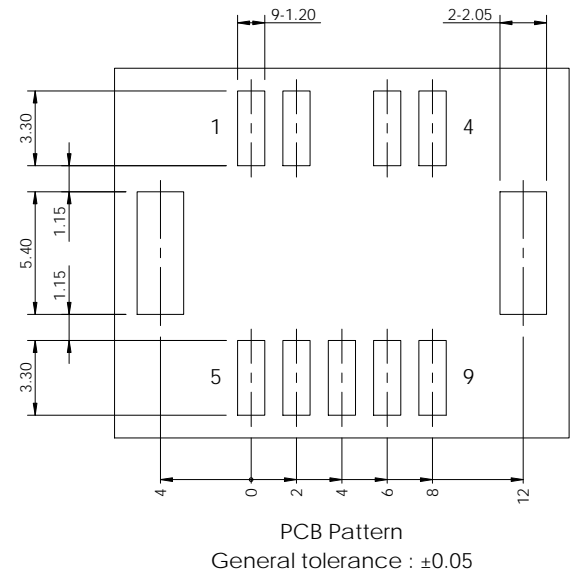


REV	REVISION RECORD	DATE	DRWN	CHKD	APVD
1	ENGINEERING RELEASED (RD-2022-114)	20 SEP '22	JK	SJ	CY



-Note-

- General Tolerance : DIN 16742 TG5 specification
- Burr Max.0.3
- No crack
- All letters shall be clear and legible.
- Measuring the demensions of Tab and SPeg.
- Finish (Tab and SPeg)
- Sn plating 2.5~4.0µm over Ni 1.0~3.0µm
- Packing : Emboss tape
- Flammability : UL94-V0
- Vacum grip area free of burr and fector pins, Max.Ø7.0

No.	Description	Material	Finish / Color	Q'ty
6	020_D_C_TR_SMT_Cover_BK	PA9T-GF30	Black	1 1
5	025_SMT_V_SPEG_L	C2680R-H	Post-Sn	1 1
4	025_SMT_V_SPEG_R	C2680R-H	Post-Sn	1 1
3	020_TR_SMT_V_Tab	C2680R-H	Post-Sn	4 4
2	020_SMT_V_Tab	C2680R-H	Post-Sn	5 5
1	020_D_C_TR_SMT_9M_V_HSG_BK	PA9T-GF30	Black	1 -
	020_D_C_TR_SMT_9M_V_HSG_NR	PA9T-GF30	Natural	- 1

Description	Part No.	Code
020_D_C_TR_SMT_9M_V_ASSY_BK	KH2200055-21	B
020_D_C_TR_SMT_9M_V_ASSY_NR	KH2200055-10	A

DRWN JK. HWANG	 (주)우주 일렉트로닉스 UJU Electronics co.,Ltd.	NAME		020_D_C_TR_SMT_9M_V_ASSY	
CHKD SJ. LEE		MATERIAL		SEE TABLE	
APVD CY. CHOI		FINISH/COLOR		SEE TABLE	
TOLERANCES UNLESS OTHERWISE SPECIFIED		UNIT MM		THIRD ANGLE PROJECTION	
0 ± 0.0 ± 0.00 ± 0.000 ± 0.0000 ± ANGLES ±				CUSTOMER DRAWING KH2200055	
PRODUCT SPEC		APPLICATION SPEC		WEIGHT	
LOC		RESTRICTED TO		SIZE A3	SCALE 3:1
				SHEET 1 of 1	REV 1