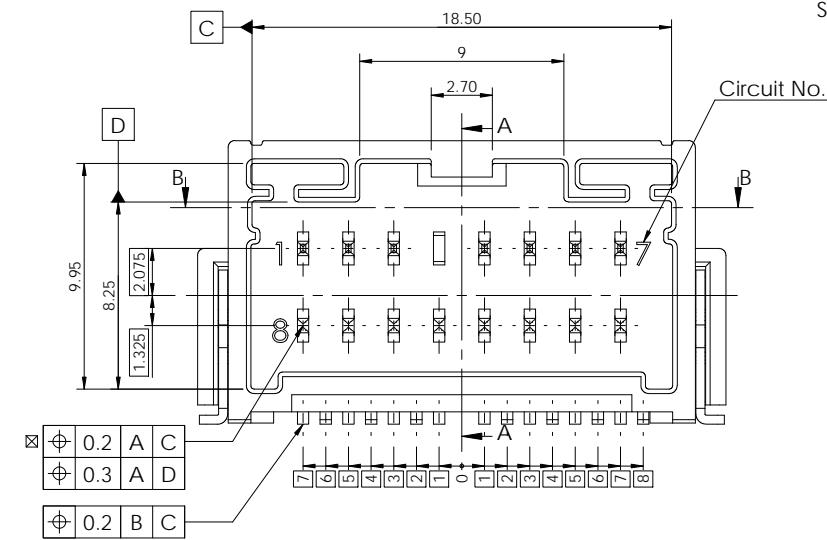
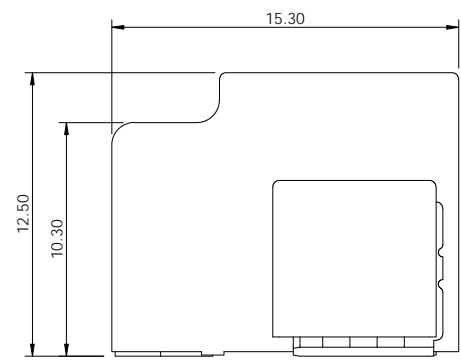
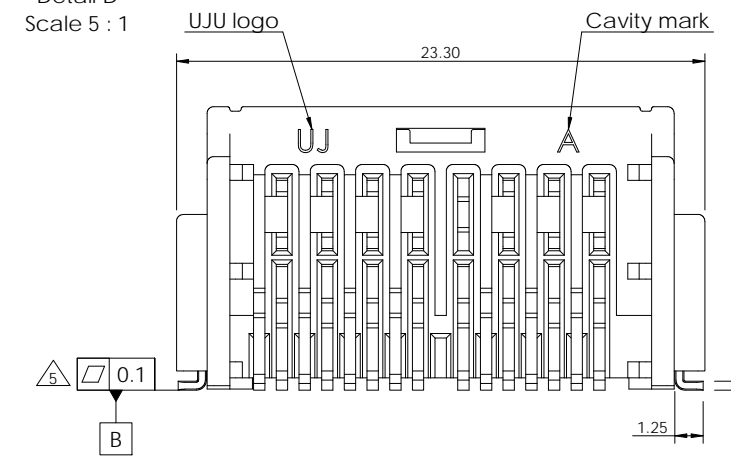
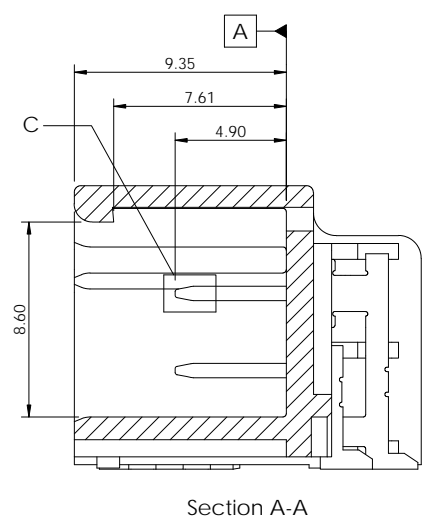
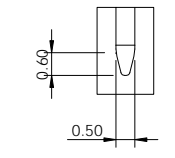
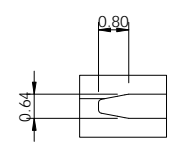
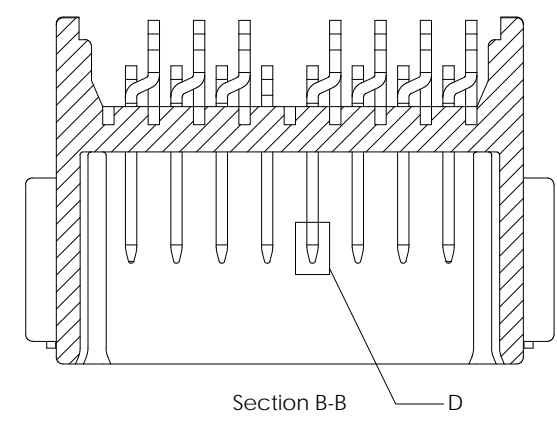
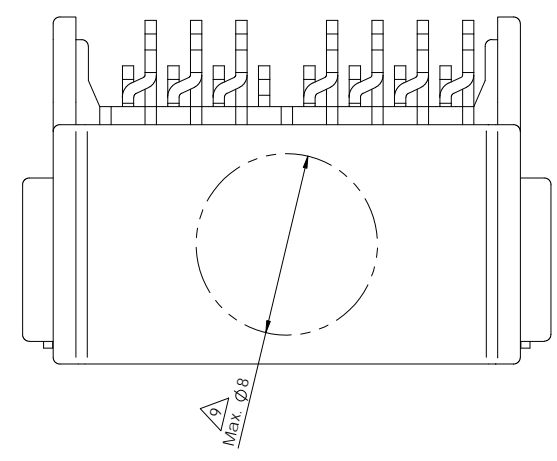
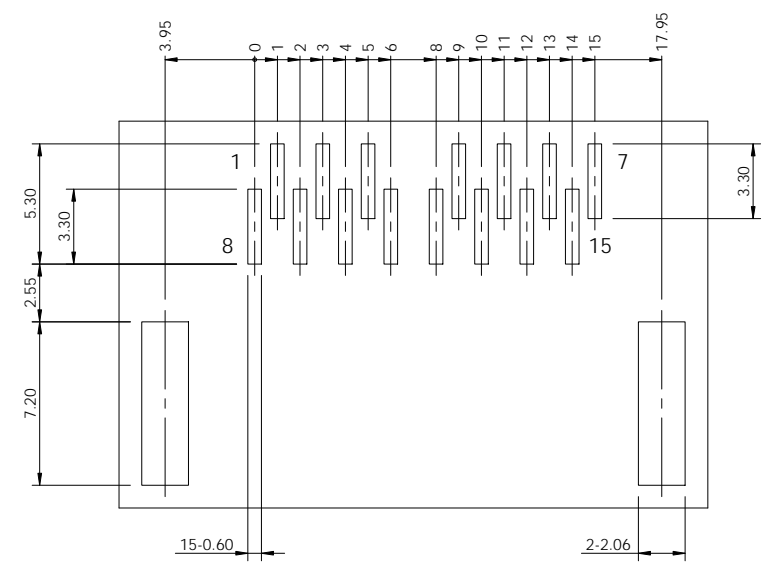
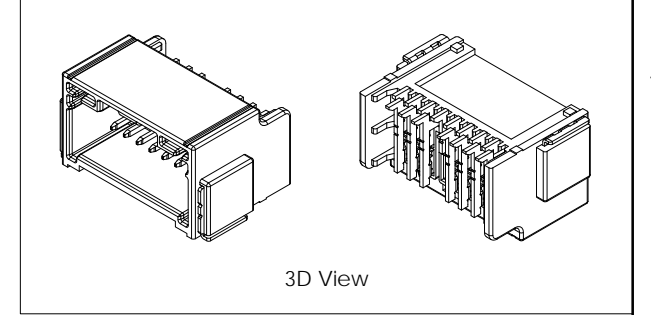


REV	REVISION RECORD	DATE	DRWN	CHKD	APVD
1	ENGINEERING RELEASED (RD-2022-114)	20 SEP '22	JK	SJ	CY



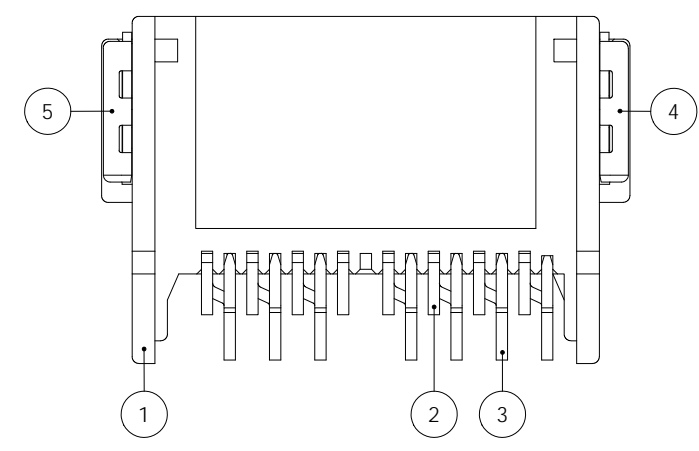
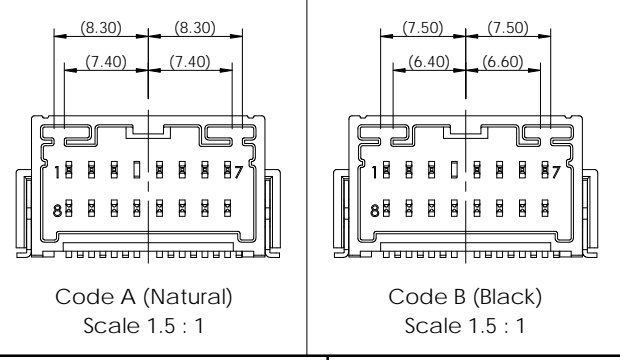
⊕ 0.2	A C
⊕ 0.3	A D
⊕ 0.2	B C

Code	Part No.	Description
B	KH2200051-21	020_D_C_TR_SMT_15M_H_ASSY_BK
A	KH2200051-10	020_D_C_TR_SMT_15M_H_ASSY_NR

-Note-

- General Tolerance : DIN 16742 TG5 specification
- Burr Max.0.3
- No crack
- All letters shall be clear and legible.
- Measuring the demensions of Tab and SPeg.
- Finish (Tab and SPeg)  
- Sn plating 2.5~4.0µm over Ni 1.0~3.0µm
- Packing : Emboss tape
- Flammability : UL94-V0
- Vacum grip area free of burr and factor pins, Max.Ø8.0

No.	Description	Material	Finish / Color	Q'ty
5	025_SMT_H_SPeg_L	C2680R-H	Post-Sn	1 1
4	025_SMT_H_SPeg_R	C2680R-H	Post-Sn	1 1
3	020_D_TR_SMT_H_Tab_L	C2680R-H	Post-Sn	7 7
2	020_D_TR_SMT_H_Tab_S	C2680R-H	Post-Sn	8 8
1	020_D_C_TR_SMT_15M_H_HSG_BK	PA9T-GF30	Black	1 -
	020_D_C_TR_SMT_15M_H_HSG_NR	PA9T-GF30	Natural	- 1



TOLERANCES UNLESS OTHERWISE SPECIFIED	UNIT MM
0 ±	THIRD ANGLE PROJECTION
0.0 ±	
0.00 ±	
0.000 ±	
0.0000 ±	
ANGLES ±	
PRODUCT SPEC	APPLICATION SPEC

DRWN JK. HWANG	CHKD SJ. LEE	APVD CY. CHOI	NAME 020_D_C_TR_SMT_15M_H_ASSY	
MATERIAL SEE TABLE			CUSTOMER DRAWING KH2200051	
FINISH/COLOR SEE TABLE			LOC	RESTRICTED TO
WEIGHT			SIZE A3	SCALE 3:1
			SHEET 1 of 1	REV 1