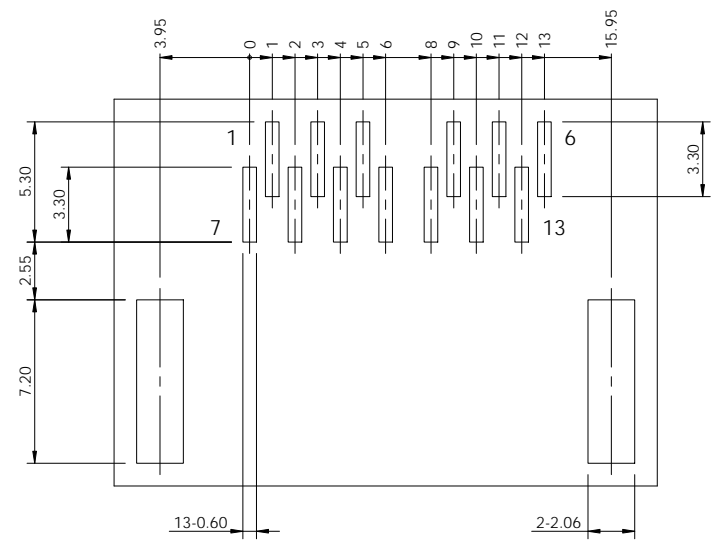
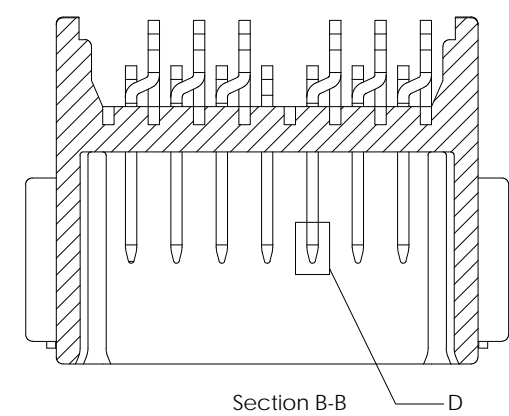
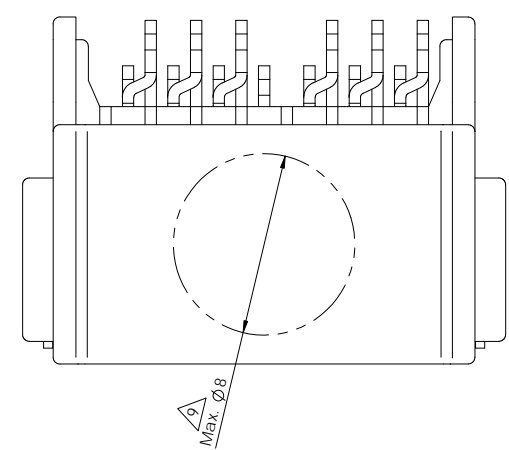


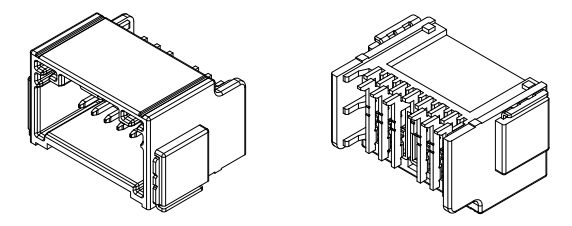
REV	REVISION RECORD	DATE	DRWN	CHKD	APVD
1	ENGINEERING RELEASED (RD-2022-114)	20 SEP '22	JK	SJ	CY



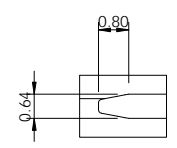
PCB Pattern
General tolerance : ±0.05



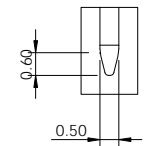
Section B-B



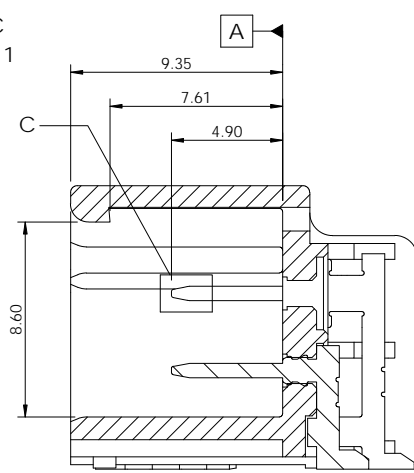
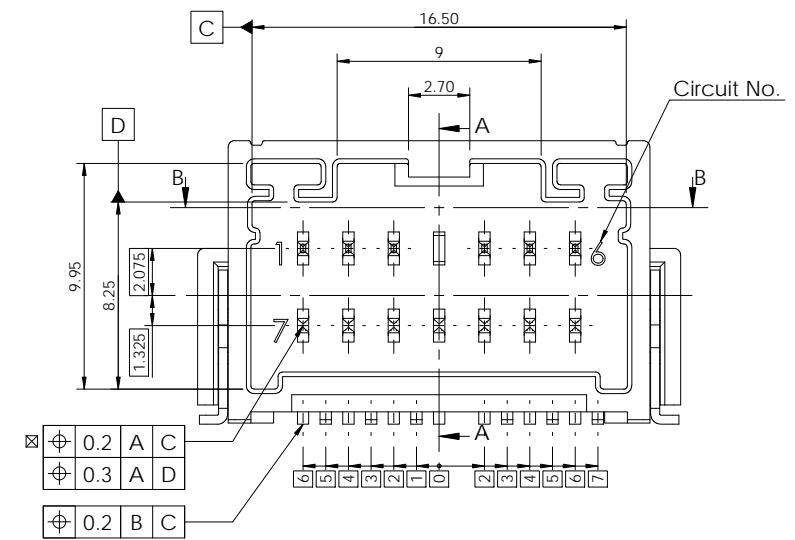
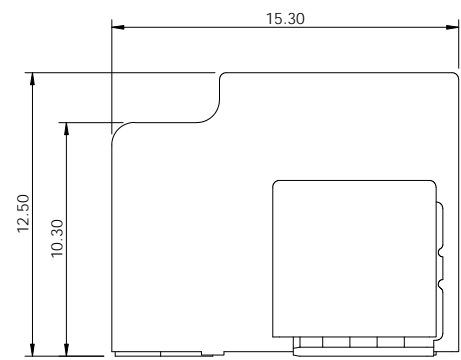
3D View



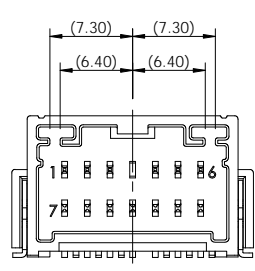
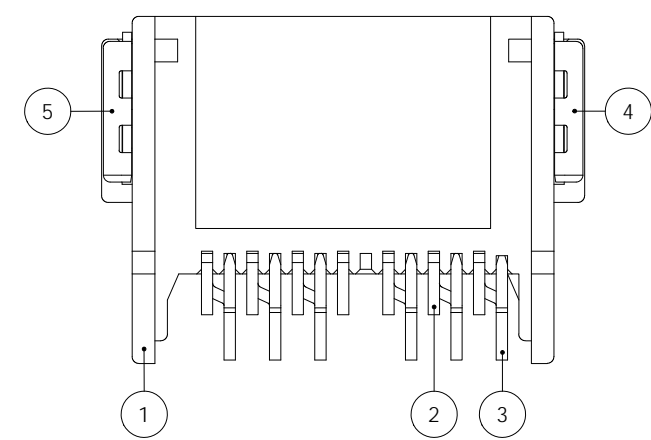
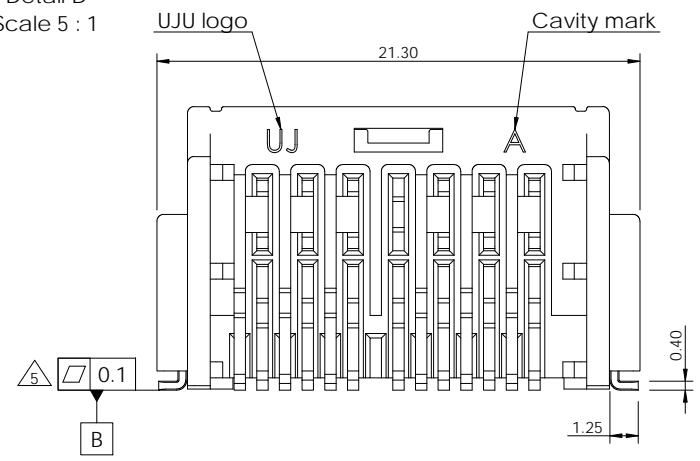
Detail C
Scale 5 : 1



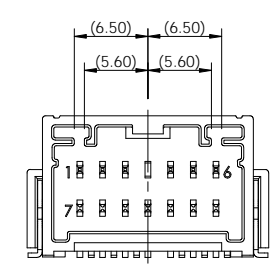
Detail D
Scale 5 : 1



Section A-A



Code A (Natural)
Scale 1.5 : 1



Code B (Black)
Scale 1.5 : 1

-Note-

- General Tolerance : DIN 16742 TG5 specification
- Burr Max.0.3
- No crack
- All letters shall be clear and legible.
- Measuring the demensions of Tab and SPeg.
- Finish (Tab and SPeg)
- Sn plating 2.5~4.0µm over Ni 1.0~3.0µm
- Packing : Emboss tape
- Flammability : UL94-V0
- Vacum grip area free of burr and factor pins, Max.Ø8.0

No.	Description	Material	Finish / Color	Q'ty
5	025_SMT_H_SPeg_L	C2680R-H	Post-Sn	1 1
4	025_SMT_H_SPeg_R	C2680R-H	Post-Sn	1 1
3	020_D_TR_SMT_H_Tab_L	C2680R-H	Post-Sn	6 6
2	020_D_TR_SMT_H_Tab_S	C2680R-H	Post-Sn	7 7
1	020_D_C_TR_SMT_13M_H_HSG_BK	PA9T-GF30	Black	1 -
	020_D_C_TR_SMT_13M_H_HSG_NR	PA9T-GF30	Natural	- 1

Description	Part No.	Code
020_D_C_TR_SMT_13M_H_ASSY_BK	KH2200049-21	B
020_D_C_TR_SMT_13M_H_ASSY_NR	KH2200049-10	A

TOLERANCES UNLESS OTHERWISE SPECIFIED	UNIT MM
0 ±	THIRD ANGLE PROJECTION
0.0 ±	ANGLES
0.00 ±	PRODUCT SPEC
0.000 ±	APPLICATION SPEC
0.0000 ±	

DRWN JK. HWANG	NAME UJU (주)우주 일렉트로닉스 UJU Electronics co.,Ltd.
CHKD SJ. LEE	
APVD CY. CHOI	MATERIAL SEE TABLE
	FINISH/COLOR SEE TABLE
	WEIGHT
CUSTOMER DRAWING	
DRAWING NO. KH2200049	
LOC	RESTRICTED TO
SIZE A3	SCALE 3:1
SHEET 1 of 1	REV 1