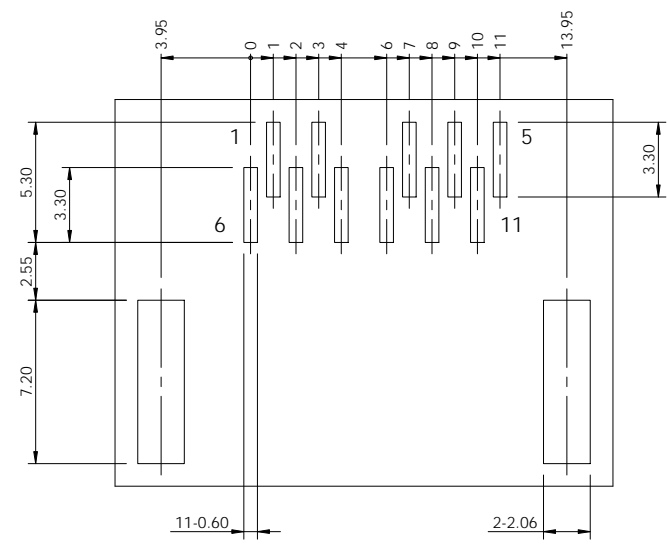
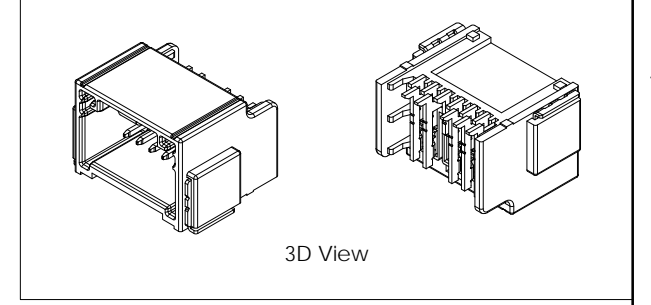
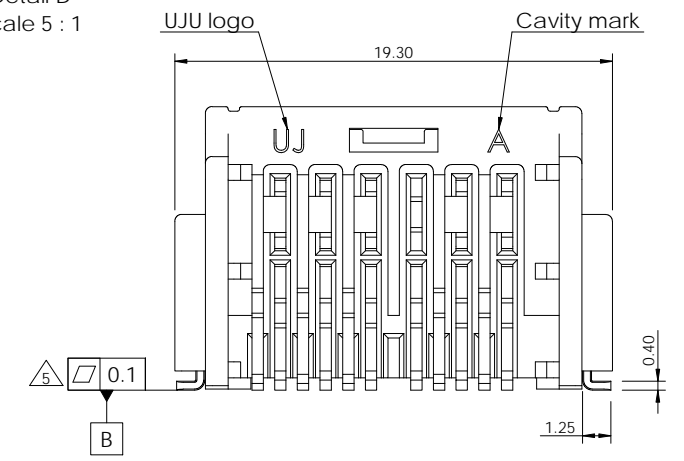
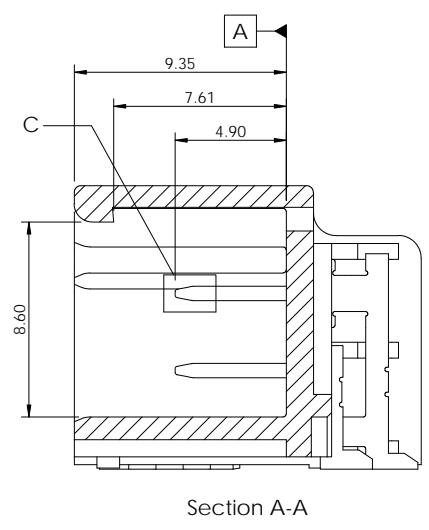
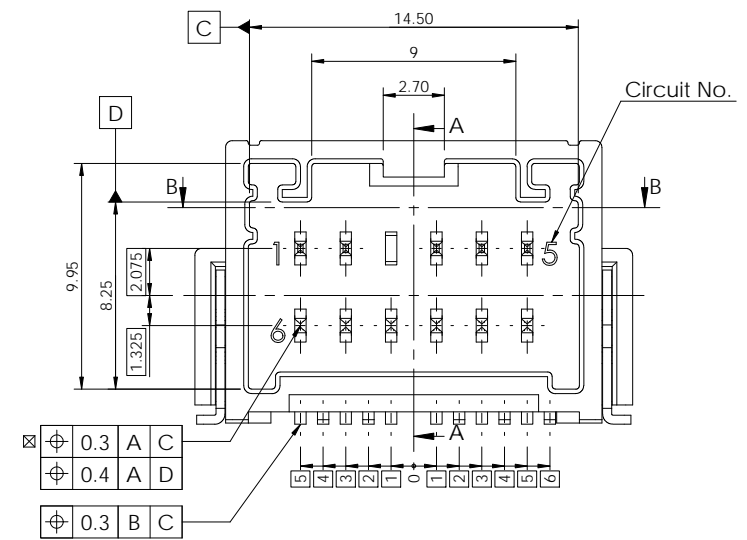
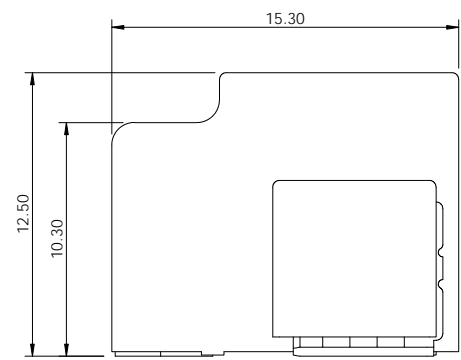
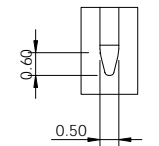
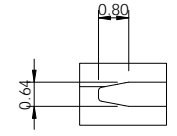
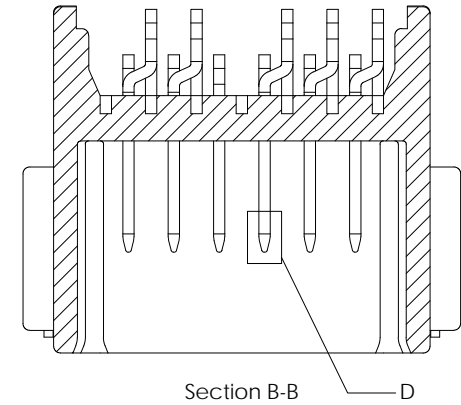
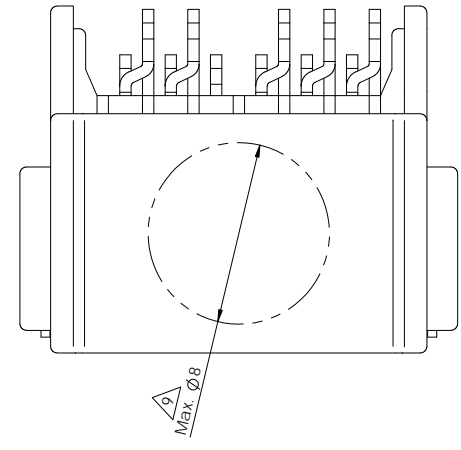


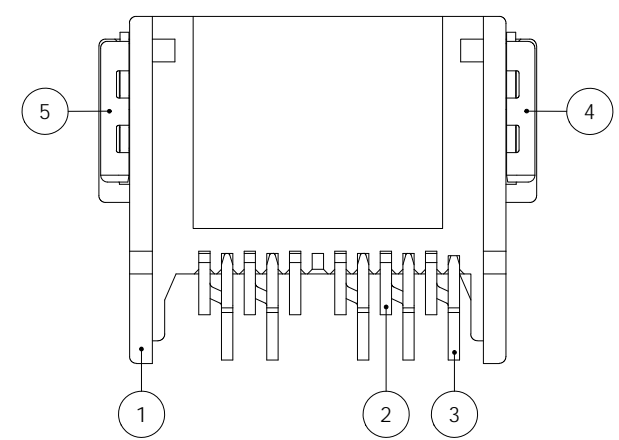
REV	REVISION RECORD	DATE	DRWN	CHKD	APVD
1	ENGINEERING RELEASED (RD-2022-089)	07 JUL '22	JK	SJ	CY



PCB Pattern
General tolerance : ±0.05

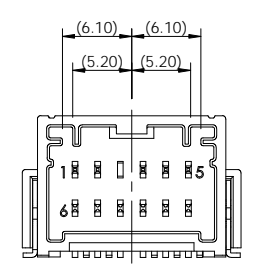
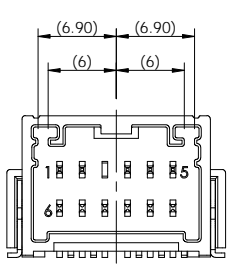


⊕ 0.3	A	C
⊕ 0.4	A	D
⊕ 0.3	B	C



-Note-

- General Tolerance : DIN 16742 TG5 specification
- Burr Max.0.3
- No crack
- All letters shall be clear and legible.
- Measuring the demensions of Tab and SPeg.
- Finish (Tab and SPeg)
- Sn plating 2.5~4.0μm over Ni 1.0~3.0μm
- Packing : Emboss tape
- Flammability : UL94-V0
- Vacum grip area free of burr and factor pins, Max.Ø8.0



No.	Description	Material	Finish / Color	Q'ty
5	025_SMT_H_SPeg_L	C2680R-H	Post-Sn	1 1
4	025_SMT_H_SPeg_R	C2680R-H	Post-Sn	1 1
3	020_D_TR_SMT_H_Tab_L	C2680R-H	Post-Sn	5 5
2	020_D_TR_SMT_H_Tab_S	C2680R-H	Post-Sn	6 6
1	020_D_C_TR_SMT_11M_H_HSG_BK	PA9T-GF30	Black	1 -
	020_D_C_TR_SMT_11M_H_HSG_NR	PA9T-GF30	Natural	- 1

Description	Part No.	Code
020_D_C_TR_SMT_11M_H_ASSY_BK	KH2200047-21	B
020_D_C_TR_SMT_11M_H_ASSY_NR	KH2200047-10	A

TOLERANCES UNLESS OTHERWISE SPECIFIED		UNIT MM		THIRD ANGLE PROJECTION		NAME 020_D_C_TR_SMT_11M_H_ASSY	
0	±	APVD CY. CHOI		MATERIAL SEE TABLE		CUSTOMER DRAWING KH2200047	
0.0	±	APVD CY. CHOI		FINISH/COLOR SEE TABLE		DRAWING NO. KH2200047	
0.00	±	APVD CY. CHOI		WEIGHT		SHEET 1 of 1	
0.000	±	APVD CY. CHOI		APPLICATIO N SPEC		REV 1	
0.0000	±	APVD CY. CHOI		APPLICATIO N SPEC		REV 1	
ANGLES	±	APVD CY. CHOI		APPLICATIO N SPEC		REV 1	
PRODUCT SPEC		APVD CY. CHOI		APPLICATIO N SPEC		REV 1	

