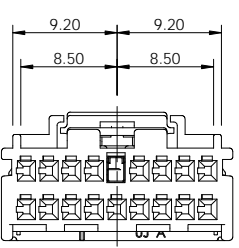
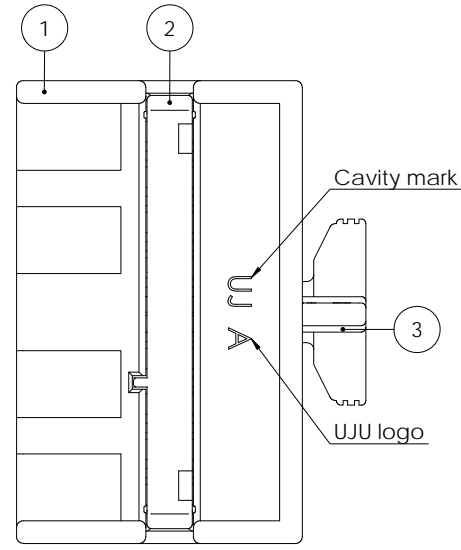
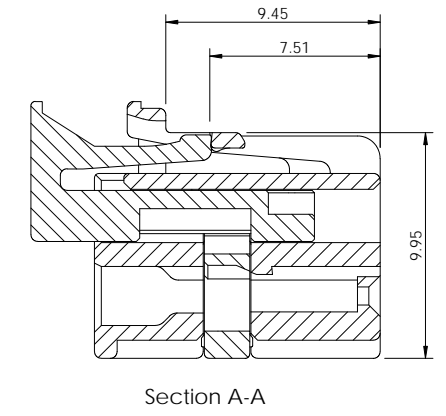
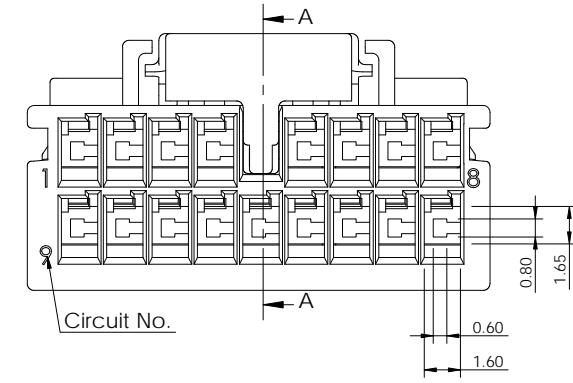
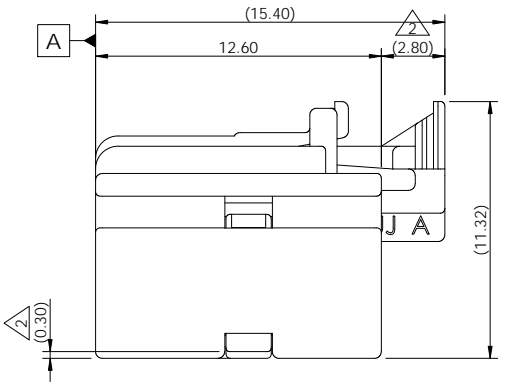
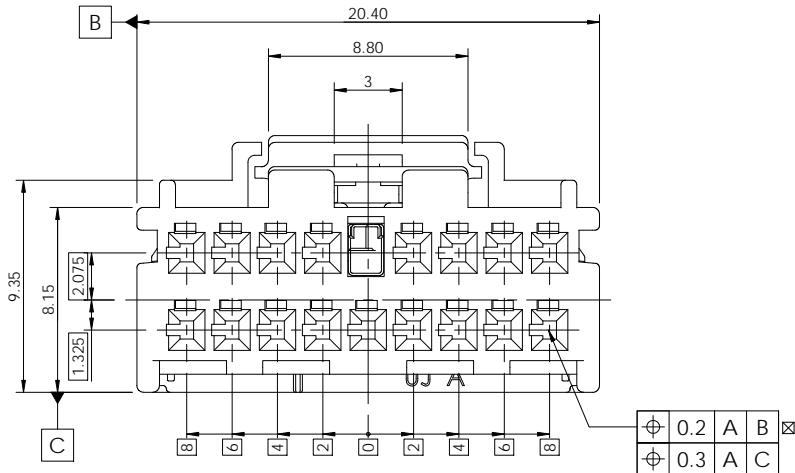
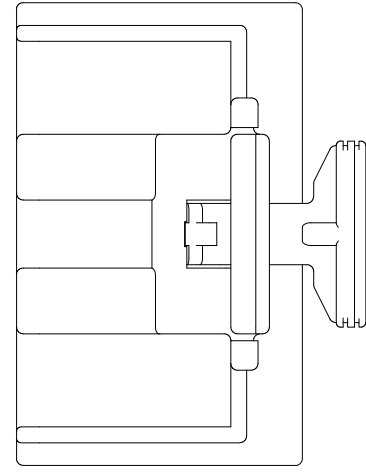
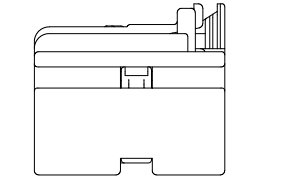
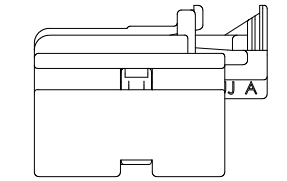
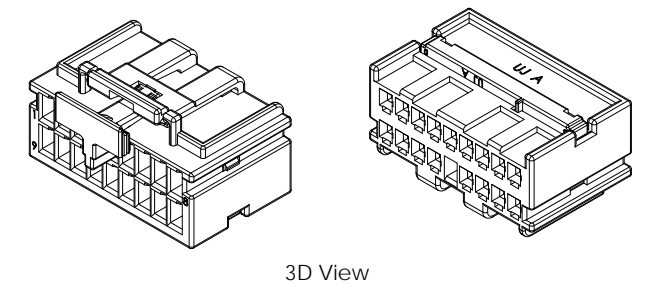
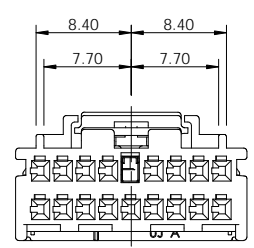


REV	REVISION RECORD	DATE	DRWN	CHKD	APVD
1	ENGINEERING RELEASED (RD-2022-114)	20 SEP '22	JK	SJ	CY



Code A (Natural)  
Scale 1.5 : 1



Code B (Black)  
Scale 1.5 : 1

- Note-
1. General Tolerance : DIN 16742 TG6 specification
  2. Delivery condition : TPA/CPA 1st. lock position
  3. Burr Max.0.3
  4. No crack
  5. All letters shall be clear and legible.
  6. Packing : Tray
  7. Flammability : UL94-V0
  8. Applicable receptacle : KH1710007 (020\_D\_F\_TML\_G)  
- Material : Copper alloy  
- Wire size : 0.3mm<sup>2</sup> ~ 0.5mm<sup>2</sup>

No.	Description	Material	Finish / Color	Q'ty
3	020_EC_2F_CPA_GN	PBT-GF30	Green	1
2	020_D_C_TR_17F_TPA_GR	PBT-GF30	Gray	1
1	020_D_C_TR_17F_HSG_BK	PBT-GF15	Black	1
	020_D_C_TR_17F_HSG_NR	PBT-GF15	Natural	-

Code	Part No.	Description
B	KH2200042-21	
A	KH2200042-10	

TOLERANCES UNLESS OTHERWISE SPECIFIED 0 ± 0.0 ± 0.00 ± 0.000 ± 0.0000 ± ANGLES ± PRODUCT SPEC		UNIT <b>MM</b> THIRD ANGLE PROJECTION		DRWN JK. HWANG CHKD SJ. LEE APVD CY. CHOI	
MATERIAL SEE TABLE FINISH/COLOR SEE TABLE WEIGHT		NAME <b>020_D_C_TR_17F_ASSY</b>		(주)우주일렉트로닉스 UJU Electronics co.,Ltd.	
CUSTOMER DRAWING KH2200042		DRAWING NO. KH2200042		SHEET 1 of 1	
LOC RESTRICTED TO		SIZE A3 SCALE 3:1		REV 1	