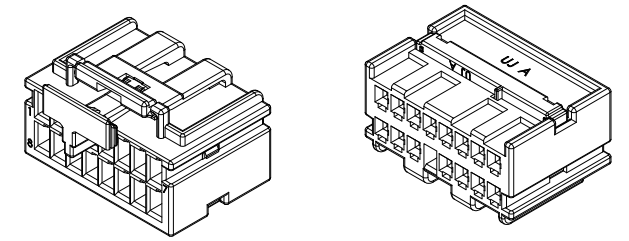
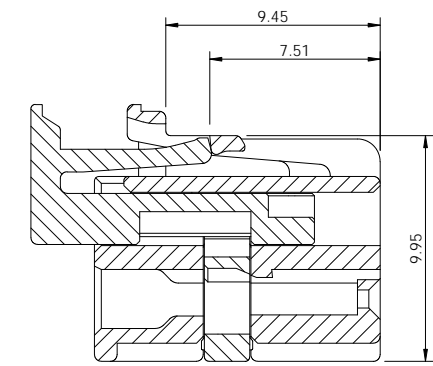
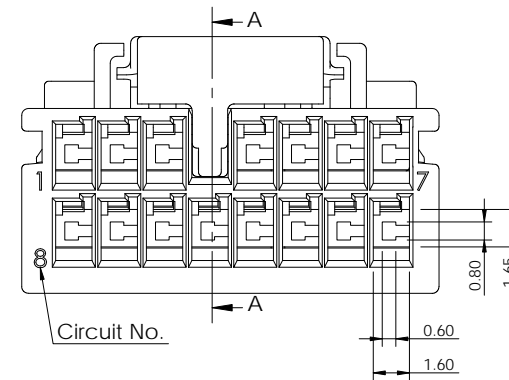
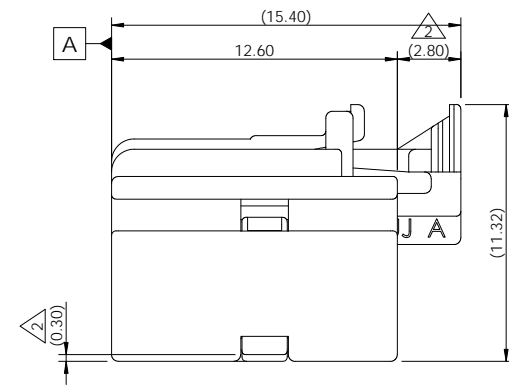
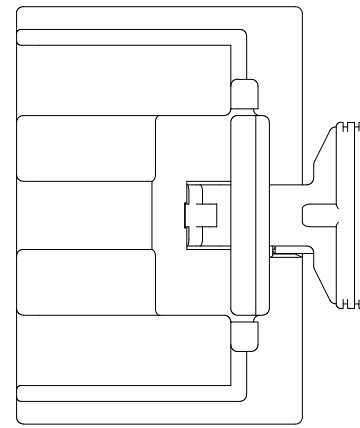


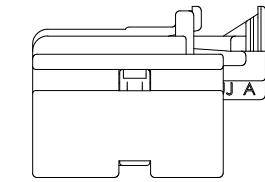
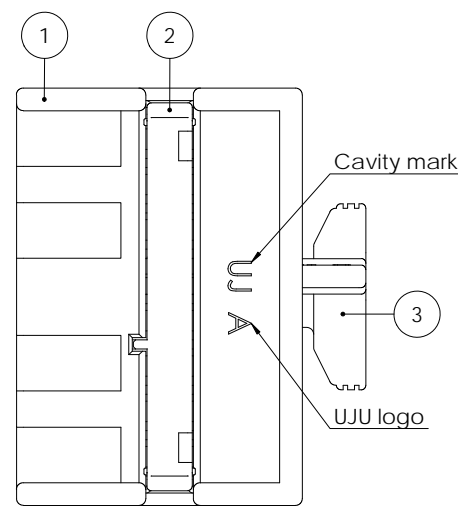
REV	REVISION RECORD	DATE	DRWN	CHKD	APVD
1	ENGINEERING RELEASED (RD-2022-114)	20 SEP '22	JK	SJ	CY



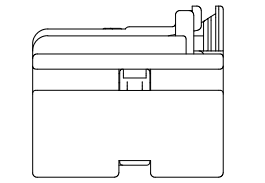
3D View



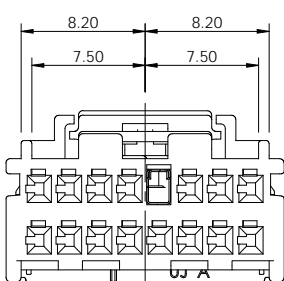
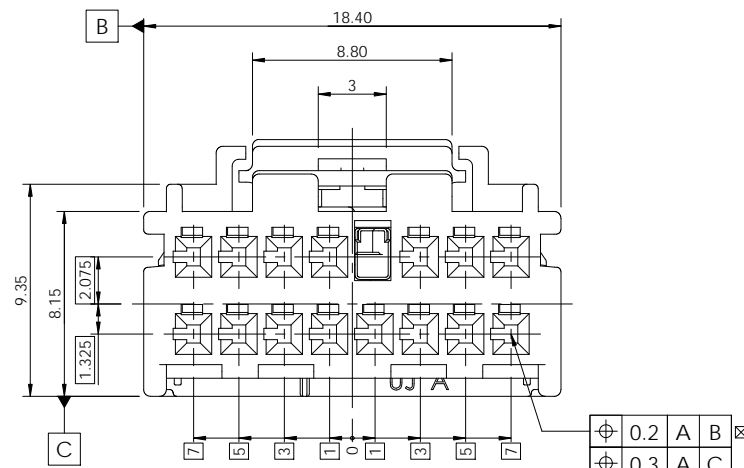
Section A-A



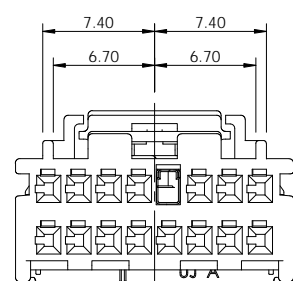
TPA 2nd. lock position



CPA 2nd. lock position



Code A (Natural)
Scale 2 : 1



Code B (Black)
Scale 2 : 1

-Note-

1. General Tolerance : DIN 16742 TG6 specification
2. Delivery condition : TPA/CPA 1st. lock position
3. Burr Max.0.3
4. No crack
5. All letters shall be clear and legible.
6. Packing : Tray
7. Flammability : UL94-V0
8. Applicable receptacle : KH1710007 (020_D_F_TML_G)
- Material : Copper alloy
- Wire size : 0.3mm² ~ 0.5mm²

No.	Description	Material	Finish / Color	Q'ty
3	020_EC_3F_CPA_GN	PBT-GF30	Green	1
2	020_D_C_TR_15F_TPA_GR	PBT-GF30	Gray	1
1	020_D_C_TR_15F_HSG_BK	PBT-GF15	Black	1
	020_D_C_TR_15F_HSG_NR	PBT-GF15	Natural	-

Code	Part No.	Description
B	KH2200039-21	020_D_C_TR_15F_ASSY_BK
A	KH2200039-10	020_D_C_TR_15F_ASSY_NR

TOLERANCES UNLESS OTHERWISE SPECIFIED	UNIT MM
0 ±	THIRD ANGLE PROJECTION
0.0 ±	
0.00 ±	
0.000 ±	
0.0000 ±	
ANGLES ±	
PRODUCT SPEC	APPLICATION SPEC

DRWN JK. HWANG	CHKD SJ. LEE	APVD CY. CHOI	NAME UJU (주)우주 일렉트로닉스 UJU Electronics co.,Ltd.	
MATERIAL SEE TABLE			020_D_C_TR_15F_ASSY	
FINISH/COLOR SEE TABLE			CUSTOMER DRAWING KH2200039	
WEIGHT			LOC	RESTRICTED TO
			SIZE A3	SCALE 3:1
			SHEET 1 of 1	REV 1