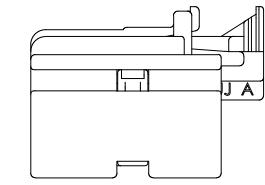
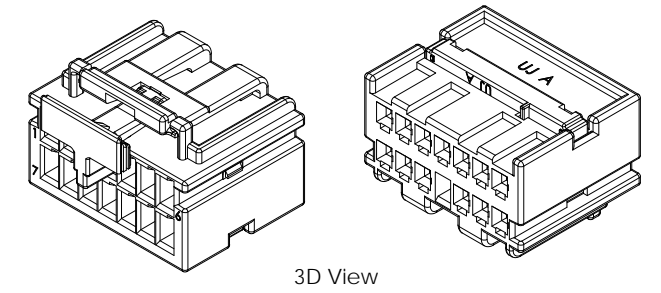
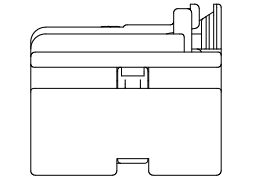


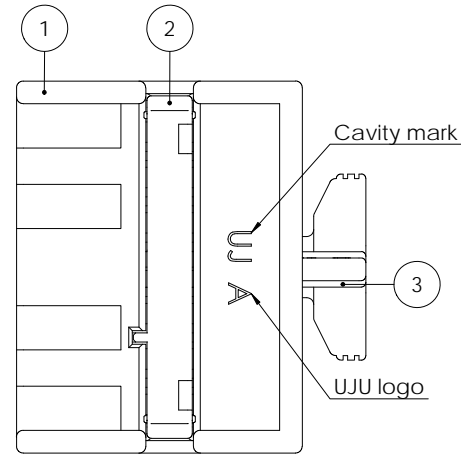
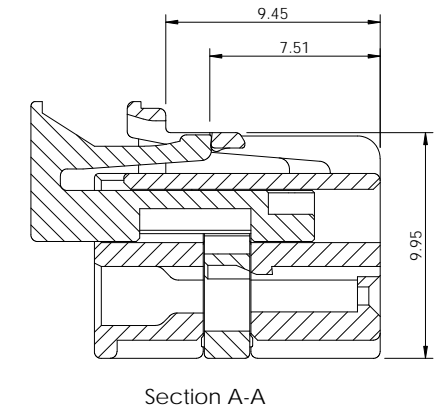
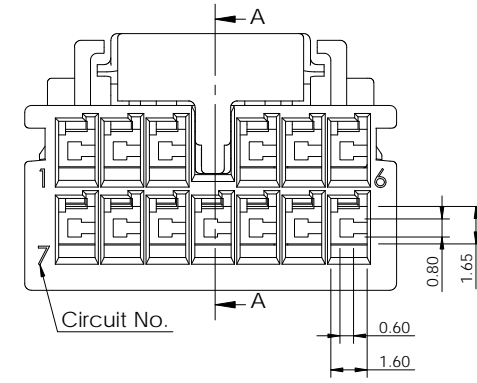
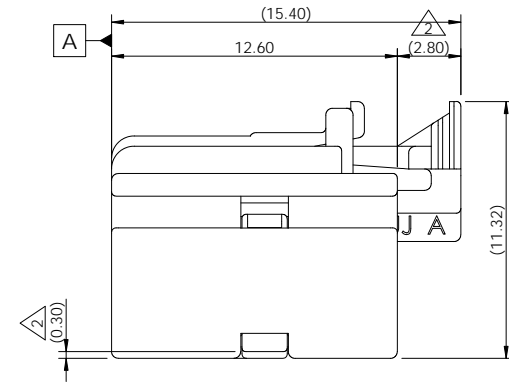
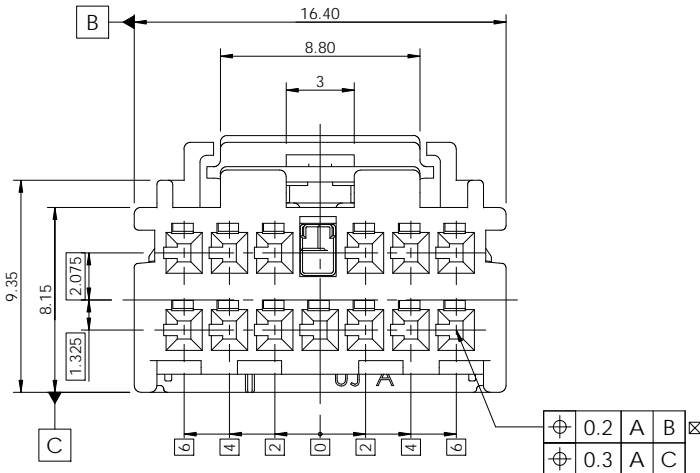
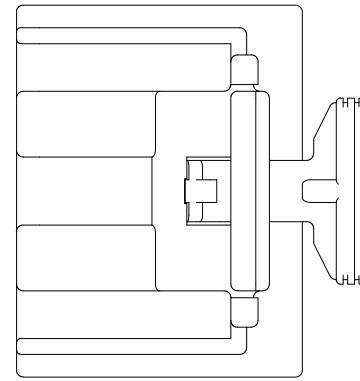
REV	REVISION RECORD	DATE	DRWN	CHKD	APVD
1	ENGINEERING RELEASED (RD-2022-114)	20 SEP '22	JK	SJ	CY



TPA 2nd. lock position

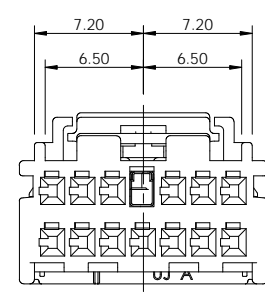


CPA 2nd. lock position

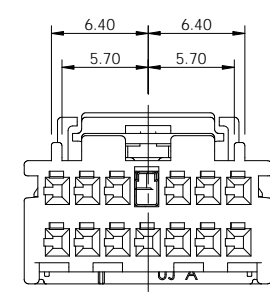


-Note-

- General Tolerance : DIN 16742 TG6 specification
- Delivery condition : TPA/CPA 1st. lock position
- Burr Max.0.3
- No crack
- All letters shall be clear and legible.
- Packing : Tray
- Flammability : UL94-V0
- Applicable receptacle : KH1710007 (020_D_F_TML_G)
- Material : Copper alloy
- Wire size : 0.3mm² ~ 0.5mm²



Code A (Natural)
Scale 2 : 1



Code B (Black)
Scale 2 : 1

DRWN	JK. HWANG	 (주)우주 일렉트로닉스 UJU Electronics co.,Ltd.	NAME		020_D_C_TR_13F_ASSY	
CHKD	SJ. LEE		MATERIAL		SEE TABLE	
APVD	CY. CHOI		FINISH/COLOR		SEE TABLE	
WEIGHT			CUSTOMER DRAWING		KH2200036	
TOLERANCES UNLESS OTHERWISE SPECIFIED		UNIT		DRAWING NO		SHEET
0 ±		MM		3:1		
0.0 ±		THIRD ANGLE PROJECTION		LOC		REV
0.00 ±				RESTRICTED TO		
0.000 ±		PRODUCT SPEC		SIZE		A3
0.0000 ±		APPLICATION SPEC		SCALE		
ANGLES ±				SHEET		1 of 1
				REV		

No.	Description	Material	Finish / Color	Q'ty	Part No.	Code
3	020_EC_2F_CPA_GN	PBT-GF30	Green	1	B	KH2200036-21
2	020_D_C_TR_13F_TPA_GR	PBT-GF30	Gray	1	A	KH2200036-10
1	020_D_C_TR_13F_HSG_BK	PBT-GF15	Black	1	-	-
	020_D_C_TR_13F_HSG_NR	PBT-GF15	Natural	-		