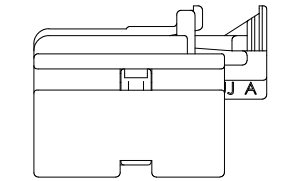
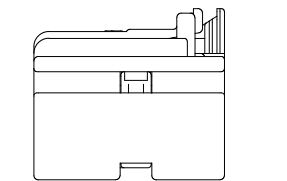


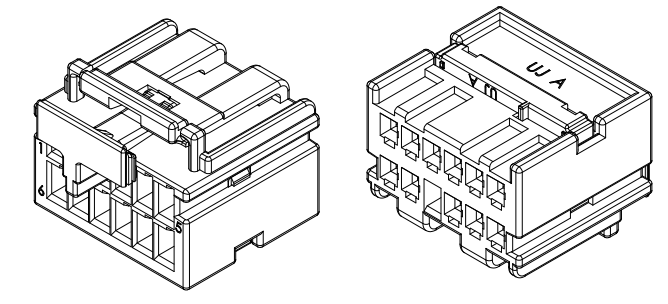
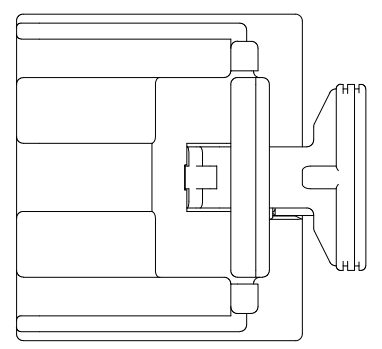
REV	REVISION RECORD	DATE	DRWN	CHKD	APVD
1	ENGINEERING RELEASED (RD-2022-094)	15 JUL '22	JK	SJ	CY



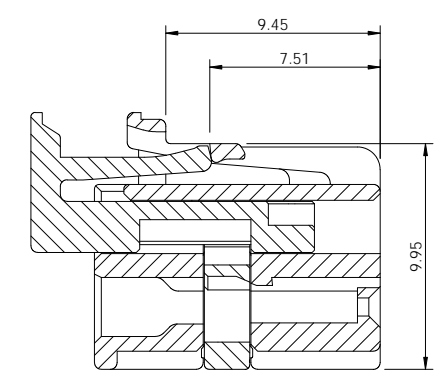
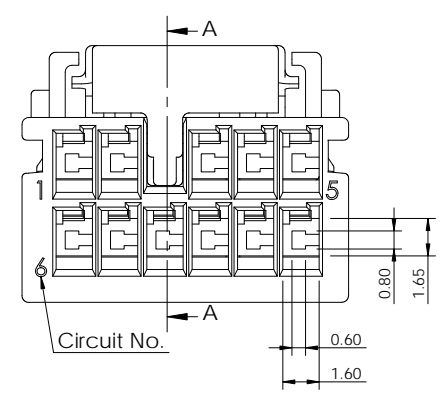
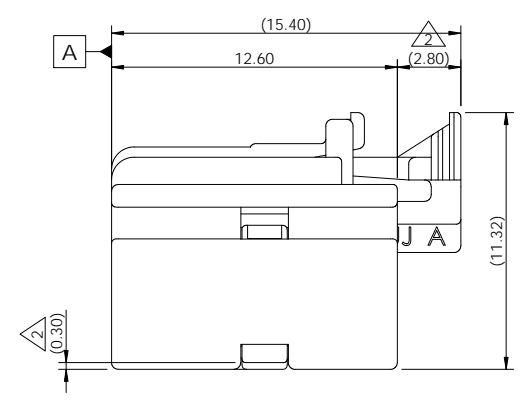
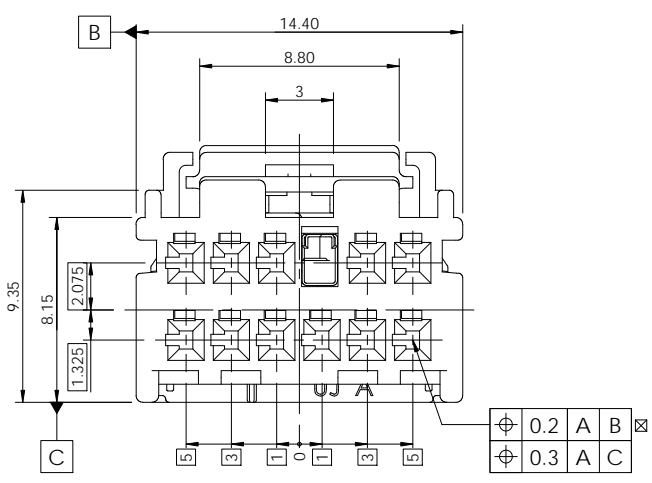
TPA 2nd. lock position



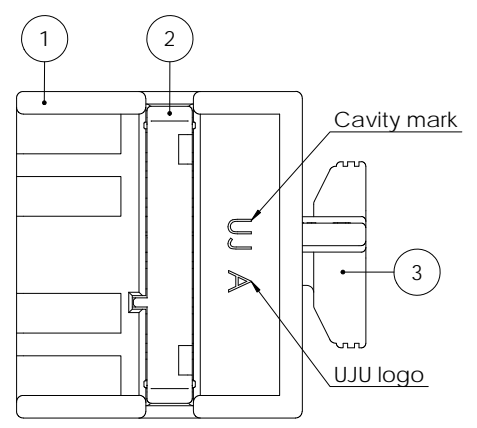
CPA 2nd. lock position



3D View

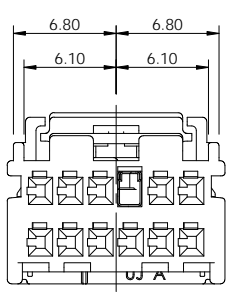


Section A-A

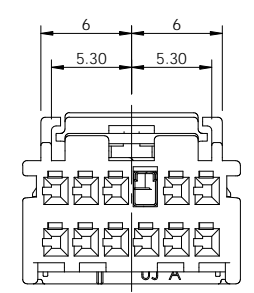


-Note-

- General Tolerance : DIN 16742 TG6 specification
- Delivery condition : TPA/CPA 1st. lock position
- Burr Max.0.3
- No crack
- All letters shall be clear and legible.
- Packing : Tray
- Flammability : UL94-V0
- Applicable receptacle : KH1710007 (020\_D\_F\_TML\_G)  
- Material : Copper alloy  
- Wire size : 0.3mm<sup>2</sup> ~ 0.5mm<sup>2</sup>



Code A (Natural)  
Scale 2 : 1



Code B (Black)  
Scale 2 : 1

No.	Description	Material	Finish / Color	Q'ty
3	020_EC_3F_CPA_GN	PBT-GF30	Green	1 1
2	020_D_C_TR_11F_TPA_GR	PBT-GF30	Gray	1 1
1	020_D_C_TR_11F_HSG_BK	PBT-GF15	Black	1 -
	020_D_C_TR_11F_HSG_NR	PBT-GF15	Natural	- 1

Code	Part No.	Description
B	KH2200033-21	020_D_C_TR_11F_ASSY_BK
A	KH2200033-10	020_D_C_TR_11F_ASSY_NR

TOLERANCES UNLESS OTHERWISE SPECIFIED	UNIT MM
0 ±	THIRD ANGLE PROJECTION
0.0 ±	
0.00 ±	
0.000 ±	
0.0000 ±	
ANGLES ±	
PRODUCT SPEC	APPLICATION SPEC

DRWN JK. HWANG	NAME	020_D_C_TR_11F_ASSY			
CHKD SJ. LEE	MATERIAL	SEE TABLE			
APVD CY. CHOI	FINISH/COLOR	SEE TABLE			
WEIGHT	CUSTOMER DRAWING	KH2200033			
LOC	RESTRICTED TO	SIZE	SCALE	SHEET	REV
		A3	3:1	1 of 1	1

