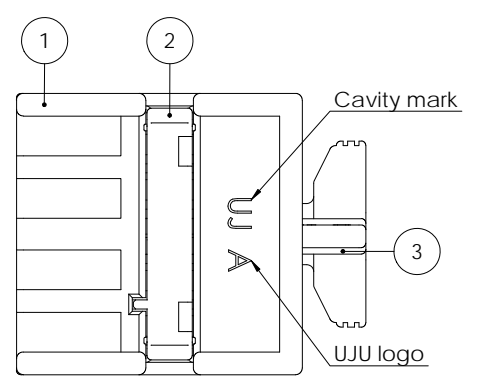
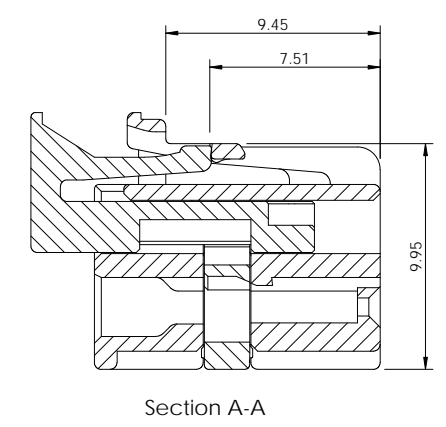
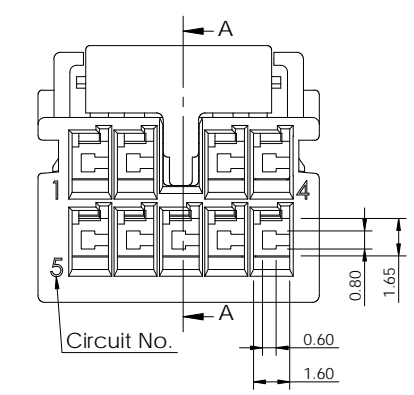
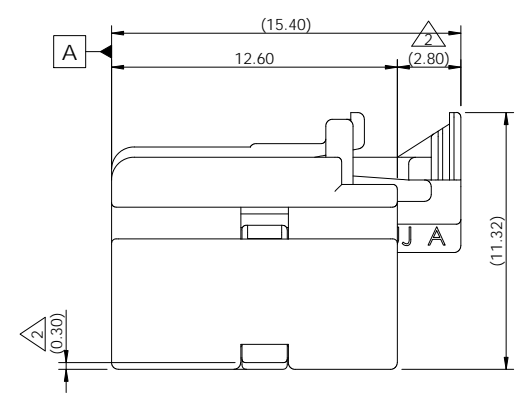
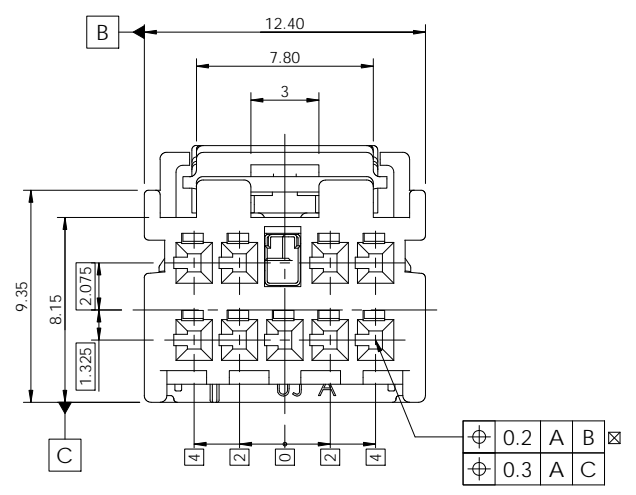
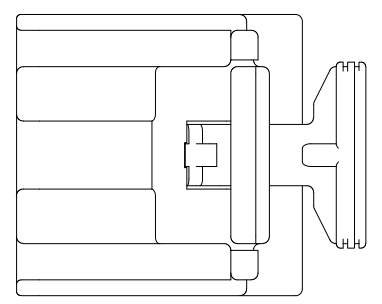
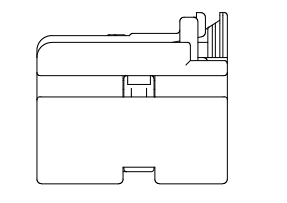
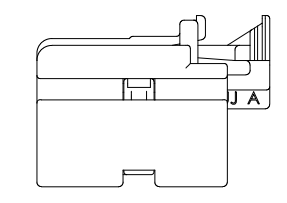
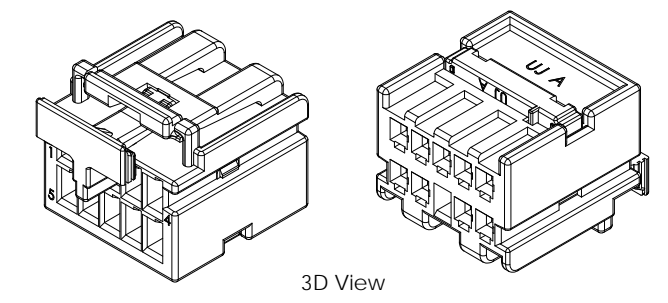
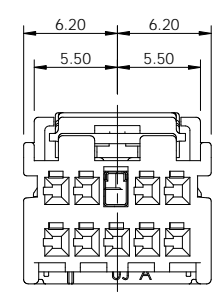


REV	REVISION RECORD	DATE	DRWN	CHKD	APVD
1	ENGINEERING RELEASED (RD-2022-114)	20 SEP '22	JK	SJ	CY

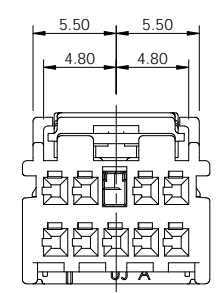


-Note-

- General Tolerance : DIN 16742 TG6 specification
- Delivery condition : TPA/CPA 1st. lock position
- Burr Max.0.3
- No crack
- All letters shall be clear and legible.
- Packing : Tray
- Flammability : UL94-V0
- Applicable receptacle : KH1710007 (020_D_F_TML_G)
- Material : Copper alloy
- Wire size : 0.3mm² ~ 0.5mm²



Code A (Natural)
Scale 2 : 1



Code B (Black)
Scale 2 : 1

DRWN	JK. HWANG	 (주)우주 일렉트로닉스 UJU Electronics co.,Ltd.	NAME		020_D_C_TR_9F_ASSY	
CHKD	SJ. LEE		MATERIAL		SEE TABLE	
APVD	CY. CHOI		FINISH/COLOR		SEE TABLE	
PRODUCT SPEC			APPLICATION SPEC		WEIGHT	
CUSTOMER DRAWING		DRAWING NO		KH2200029		
LOC	RESTRICTED TO	SIZE	SCALE	SHEET	REV	
		A3	3:1	1 of 1	1	

No.	Description	Material	Finish / Color	Q'ty
3	020_EC_2F_CPA_GN	PBT-GF30	Green	1
2	020_D_C_TR_9F_TPA_GR	PBT-GF30	Gray	1
1	020_D_C_TR_9F_HSG_BK	PBT-GF15	Black	1
	020_D_C_TR_9F_HSG_NR	PBT-GF15	Natural	-

Part No.	Code
KH2200029-21	B
KH2200029-10	A