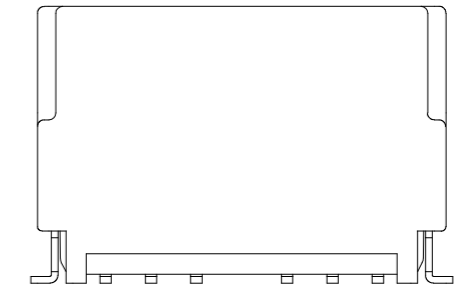
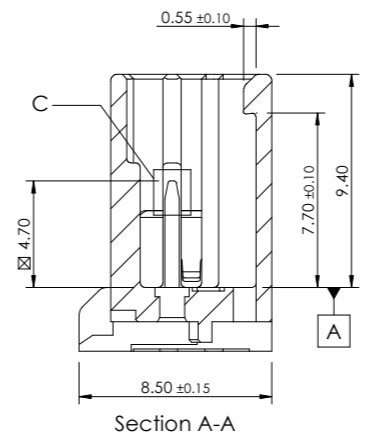
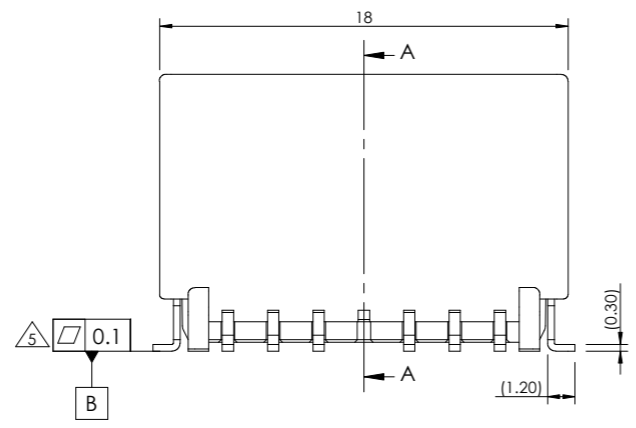
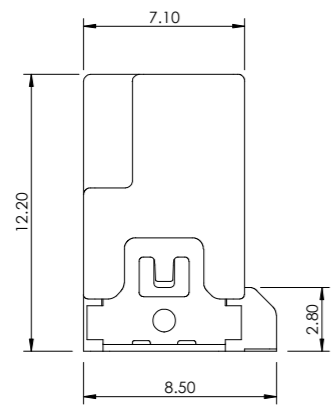
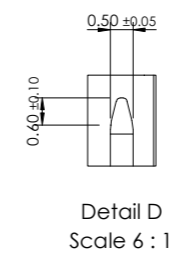
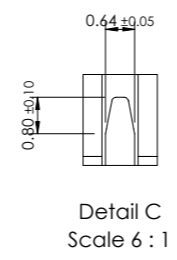
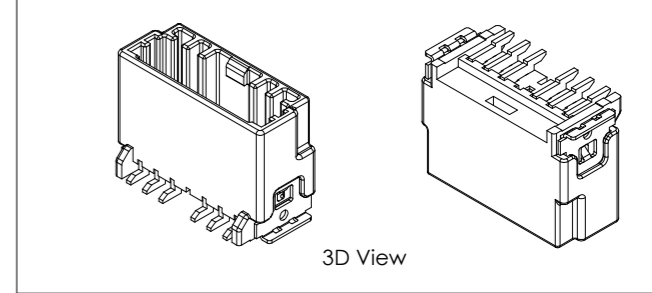
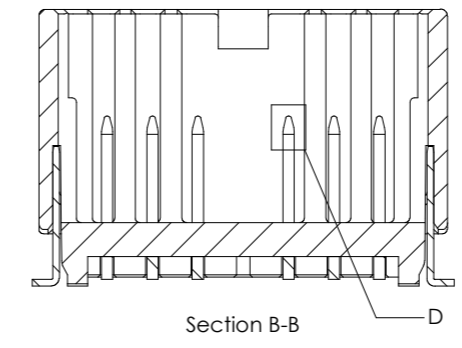
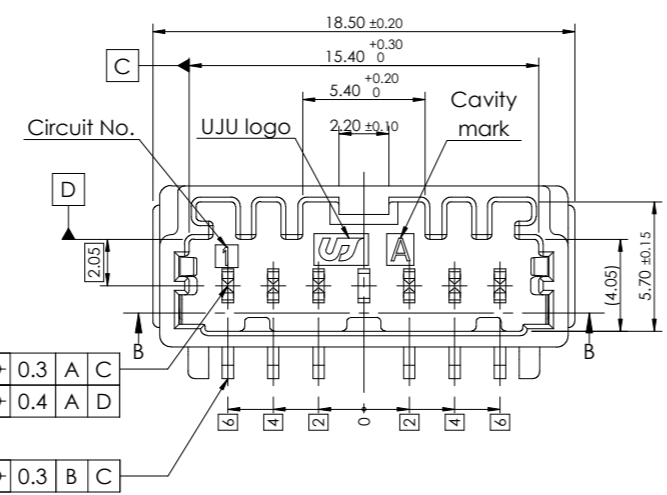
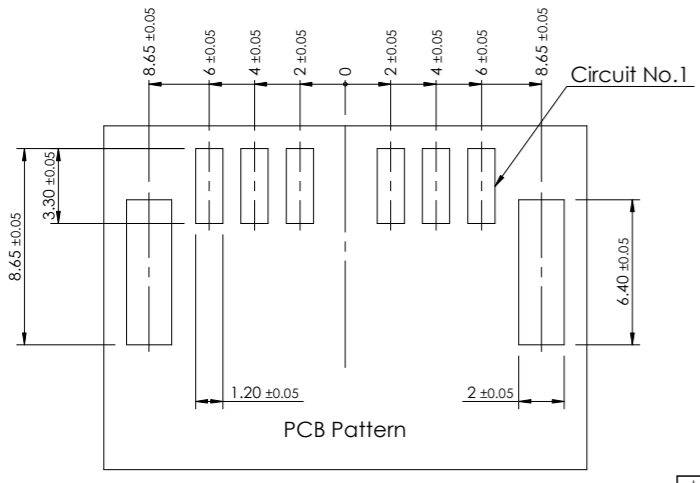
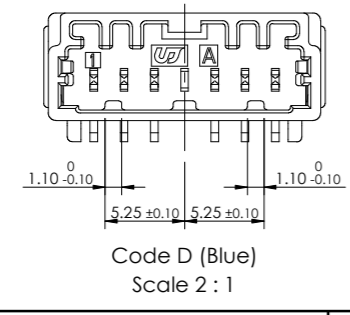
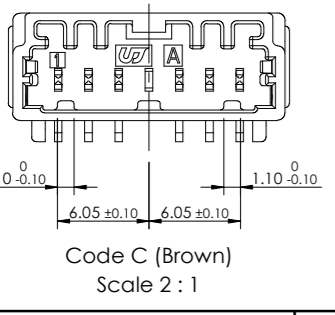
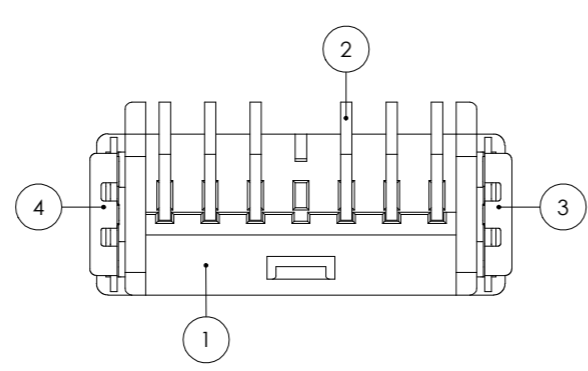
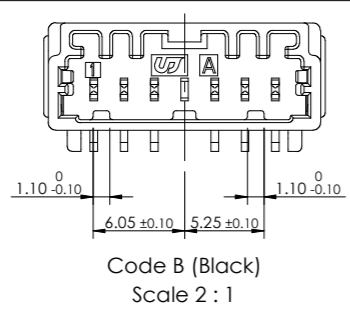
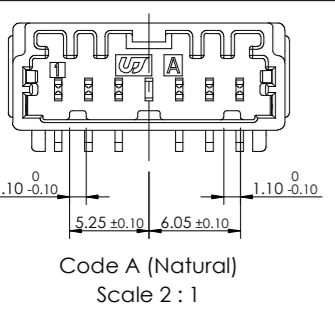


REV	REVISION RECORD	DATE	DRWN	CHKD	APVD
A	RELEASED (RD-2022-031)	11 MAR '22	JK	SJ	CY



Code	Part No.
D	KH2110144-83
C	KH2110144-42
B	KH2110144-21
A	KH2110144-10

Description	Part No.	Code
020_D_C_SMT_6M_V_ASSY_BL_CL_G		D
020_D_C_SMT_6M_V_ASSY_BR_CL_G		C
020_D_C_SMT_6M_V_ASSY_BK_CL_G		B
020_D_C_SMT_6M_V_ASSY_NR_CL_G		A



-Note-

- General tolerance : Refer to DIN 16742 TG5 specification.
- Burr Max.0.3
- No crack
- All letters shall be clear and legible.
- Measuring the dimensions of Tab TML and Solder Peg.
- Finish Tab TML and Solder Peg
 - Sn plating 2.5~4.0µm (matte) over Ni 1.0~2.0µm
- Packing : Emboss tape
- Flammability : UL94-HB
- Matching part
 - KH1910019 (020_D_C_6F_ASSY_G)

No.	Description	Material	Finish / Color	Q'ty
4	020 SMT Solder Peg VTC-L	Copper alloy	Post-Sn	1 1 1 1
3	020 SMT Solder Peg VTC-R	Copper alloy	Post-Sn	1 1 1 1
2	020 SMT Tab TML VTC	Copper alloy	Post-Sn	6 6 6 6
1	020_D_SMT_7M_V_HSG_BL	PA9T-GF30	Blue	1 - - -
	020_D_SMT_7M_V_HSG_BR	PA9T-GF30	Brown	- 1 - -
	020_D_SMT_7M_V_HSG_BK	PA9T-GF30	Black	- - 1 -
	020_D_SMT_7M_V_HSG_NR	PA9T-GF30	Natural	- - - 1

TOLERANCES UNLESS OTHERWISE SPECIFIED	UNIT MM
0 ±	THIRD ANGLE PROJECTION
0.0 ±	ANGLES ±
0.00 ±	PRODUCT SPEC
0.000 ±	APPLICATION SPEC
0.0000 ±	

DRWN JK. HWANG	NAME	
CHKD SJ. LEE	020_D_C_SMT_6M_V_ASSY_CL_G	
APVD CY. CHOI	CUSTOMER DRAWING	DRAWING NO
MATERIAL SEE TABLE		KH2110144
FINISH/COLOR SEE TABLE	LOC RESTRICTED TO	SIZE SCALE SHEET
WEIGHT	A3	3:1 1 of 1
		REV A