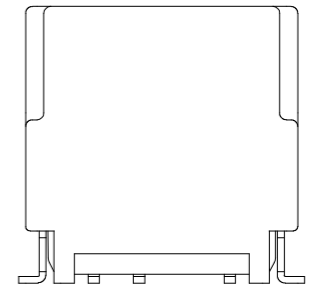
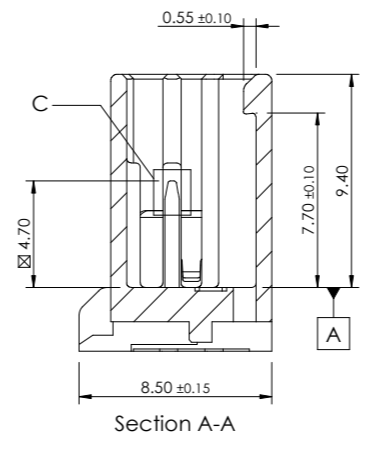
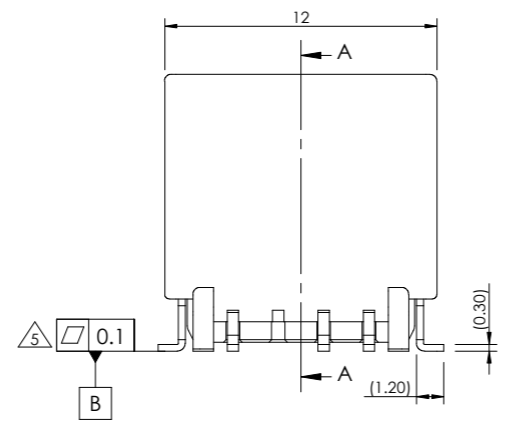
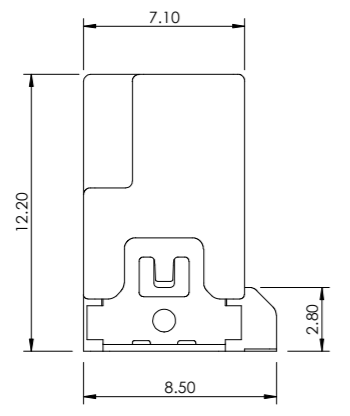
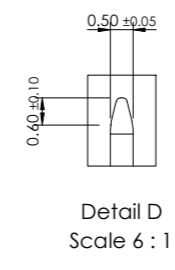
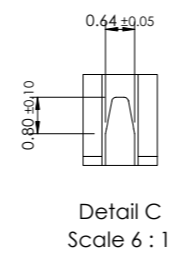
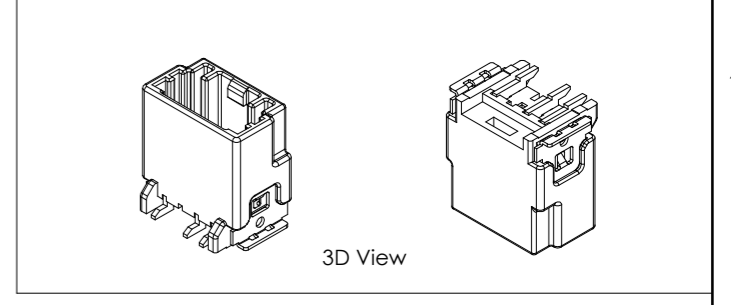
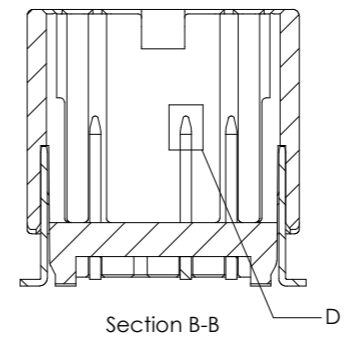
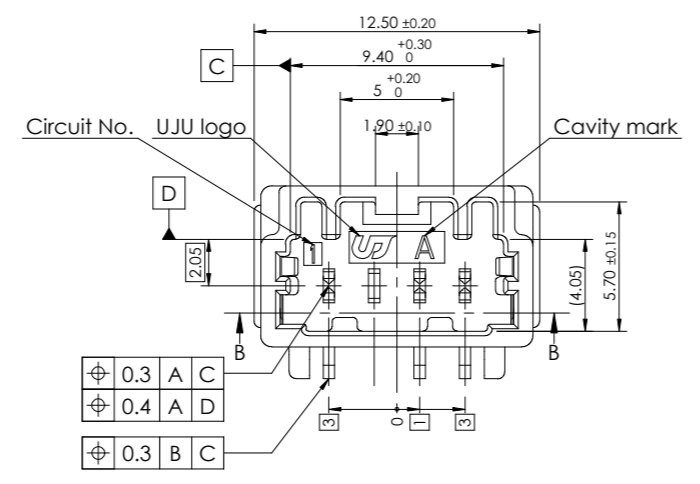
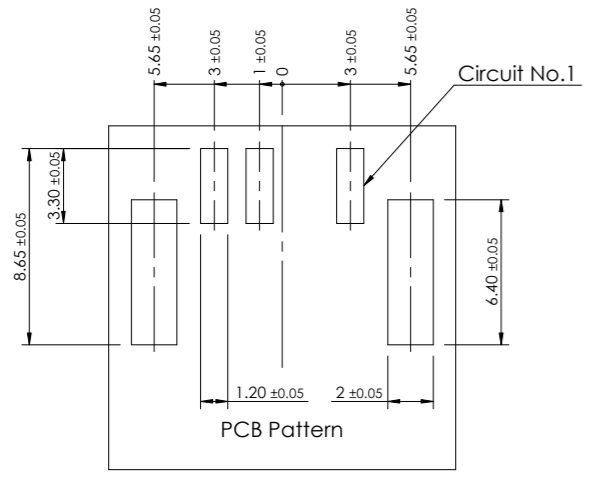
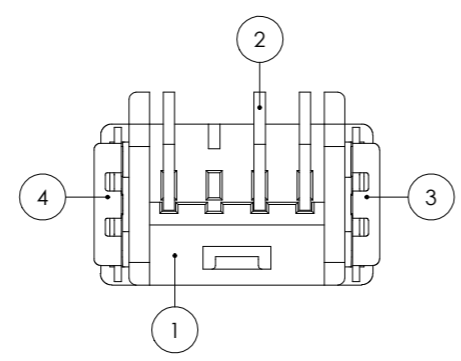
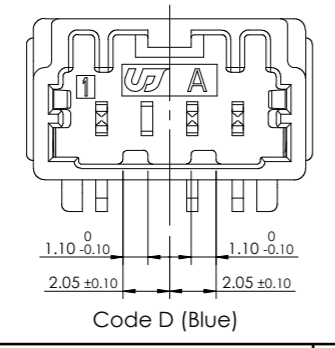
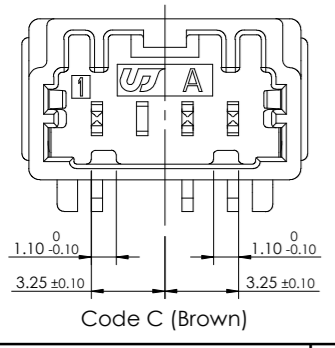
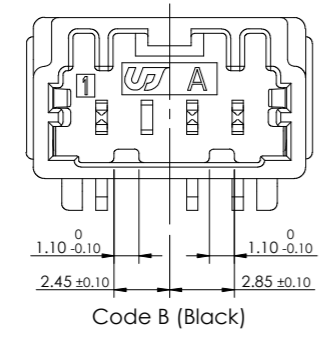
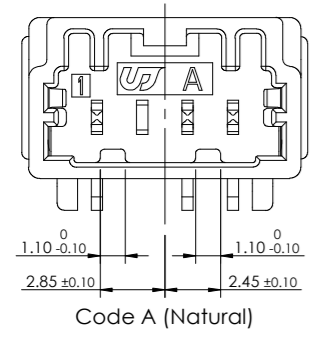


REV	REVISION RECORD	DATE	DRWN	CHKD	APVD
A	RELEASED (RD-2022-031)	11 MAR '22	JK	SJ	CY



Description	Part No.	Code
020_D_C_SMT_3M_V_ASSY_BL_CL_G	KH2110140-83	D
020_D_C_SMT_3M_V_ASSY_BR_CL_G	KH2110140-42	C
020_D_C_SMT_3M_V_ASSY_BK_CL_G	KH2110140-21	B
020_D_C_SMT_3M_V_ASSY_NR_CL_G	KH2110140-10	A



- Note-
- General tolerance : Refer to DIN 16742 TG5 specification.
  - Burr Max.0.3
  - No crack
  - All letters shall be clear and legible.
  - Measuring the dimensions of Tab TML and Solder Peg.
  - Finish Tab TML and Solder Peg
    - Sn plating 2.5~4.0 $\mu$ m (matte) over Ni 1.0~2.0 $\mu$ m
  - Packing : Emboss tape
  - Flammability : UL94-HB
  - Matching part
    - KH1910012 (020\_D\_C\_3F\_ASSY\_G)

No.	Description	Material	Finish / Color	Q'ty
4	020 SMT Solder Peg VTC-L	Copper alloy	Post-Sn	1 1 1 1
3	020 SMT Solder Peg VTC-R	Copper alloy	Post-Sn	1 1 1 1
2	020 SMT Tab TML VTC	Copper alloy	Post-Sn	3 3 3 3
1	020_D_SMT_4M_V_HSG_BL	PA9T-GF30	Blue	1 - - -
	020_D_SMT_4M_V_HSG_BR	PA9T-GF30	Brown	- 1 - -
	020_D_SMT_4M_V_HSG_BK	PA9T-GF30	Black	- - 1 -
	020_D_SMT_4M_V_HSG_NR	PA9T-GF30	Natural	- - - 1

DRWN JK. HWANG		 (주)우주 일렉트로닉스 UJU Electronics co.,Ltd.	
CHKD SJ. LEE			
APVD CY. CHOI		NAME	
MATERIAL		020_D_C_SMT_3M_V_ASSY_CL_G	
FINISH/COLOR		SEE TABLE	
WEIGHT		SEE TABLE	
TOLERANCES UNLESS OTHERWISE SPECIFIED		CUSTOMER DRAWING	
0 ± 0.0 ± 0.00 ± 0.000 ± 0.0000 ± ANGLES ± PRODUCT SPEC		KH2110140	
UNIT MM		DRAWING NO	
THIRD ANGLE PROJECTION		A3	
		SCALE 3:1	
APPLICATION SPEC		SHEET 1 of 1	
RESTRICTED TO		REV A	