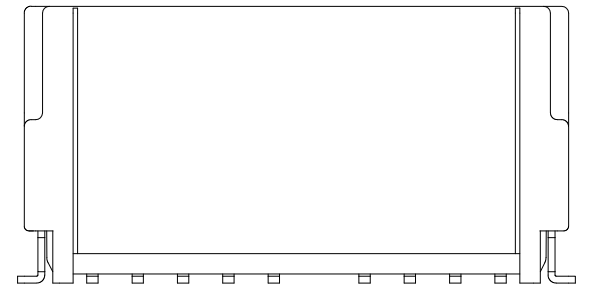
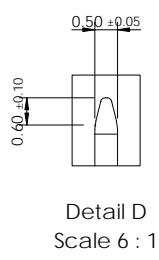
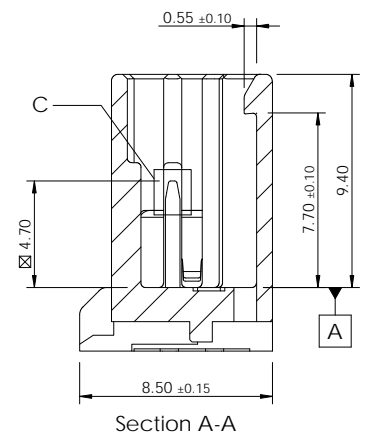
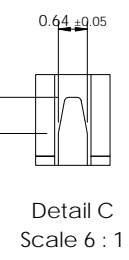
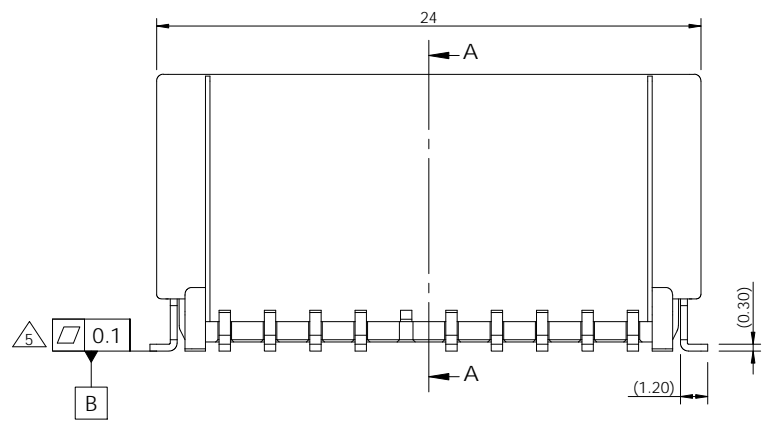
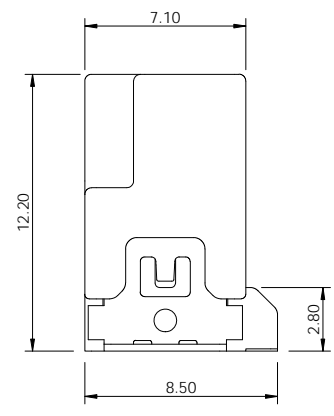
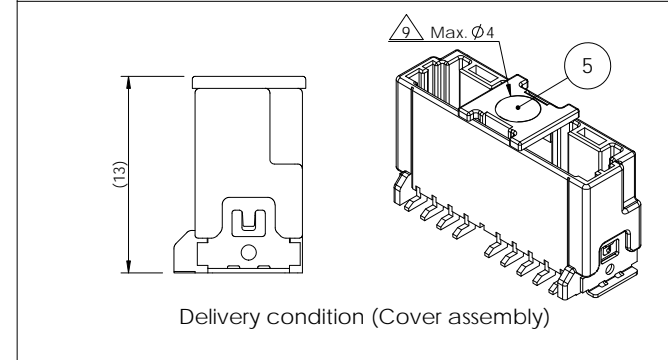
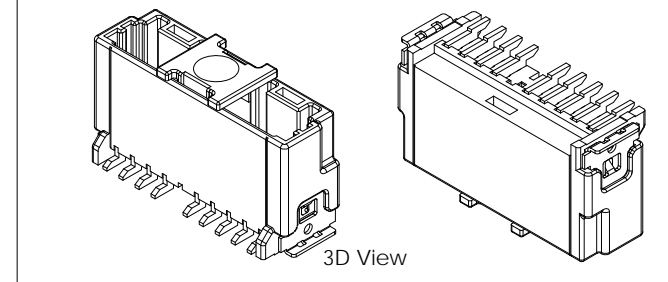
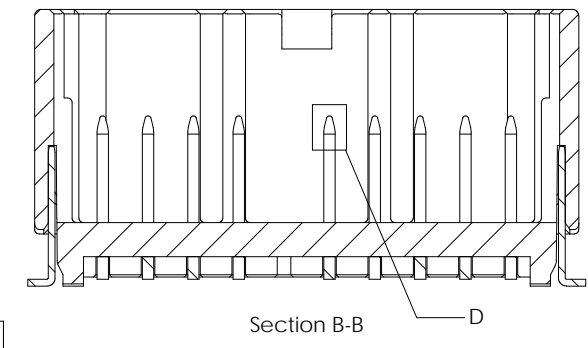
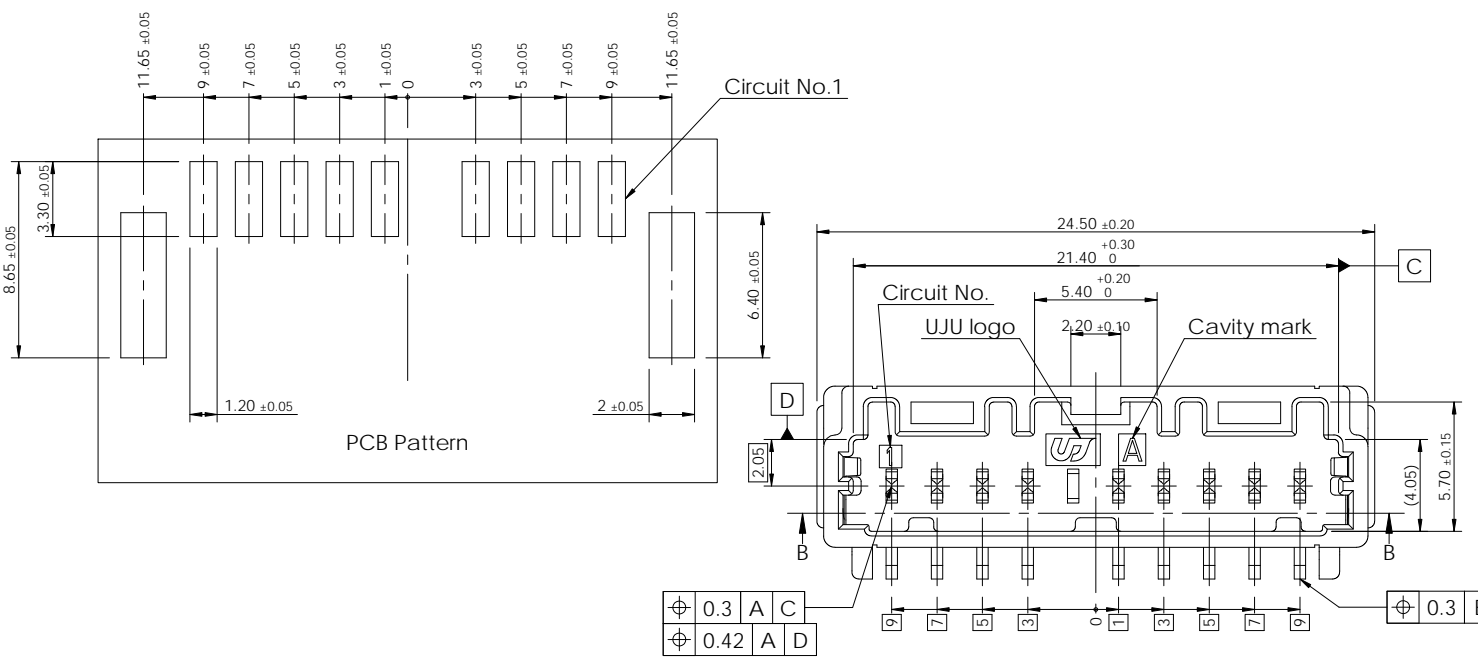
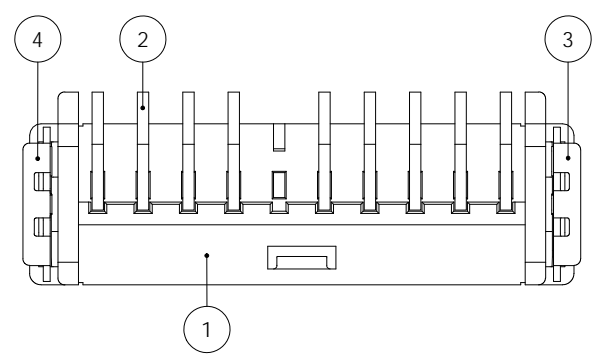
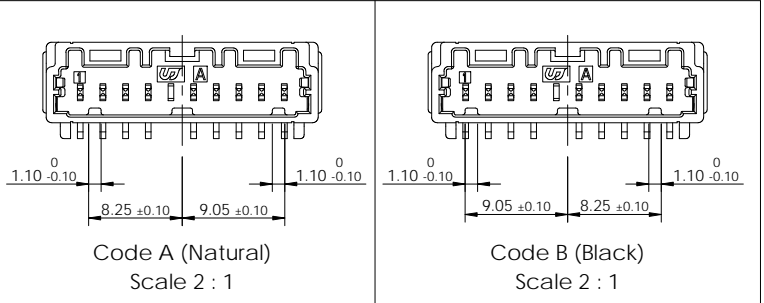


REV	REVISION RECORD	DATE	DRWN	CHKD	APVD
A	RELEASED (RD-2022-113)	05 SEP '22	JK	SJ	CY



Code	Part No.	Description
D	-	020_D_C_SMT_9M_V_ASSY_BL_Au_G
C	-	020_D_C_SMT_9M_V_ASSY_BR_Au_G
B	KH2110138-21	020_D_C_SMT_9M_V_ASSY_BK_Au_G
A	KH2110138-10	020_D_C_SMT_9M_V_ASSY_NR_Au_G



-Note-

- General tolerance : Refer to DIN 16742 TG5 specification.
- Burr Max.0.3
- No crack
- All letters shall be clear and legible.
- Measuring the demensions of Tab TML and Solder Peg.
- Finish Tab TML and Solder Peg  
- Sn plating 2.5~4.0µm (matte) over Ni 1.0~2.0µm  
- Au plating Min. 0.38µm
- Packing : Emboss tape
- Flammability : UL94-HB
- Vacuum grip area free of burr and fector pins, Max.Ø4.0
- Matching part  
- KH1910023 (020\_D\_C\_9F\_ASSY\_G)

No.	Description	Material	Finish / Color	Q'ty
5	020_D_SMT_Cover_BK	LCP (E471i)	Black	1 1 1 1
4	020 SMT Solder Peg VTC-L	Copper alloy	Post-Sn	1 1 1 1
3	020 SMT Solder Peg VTC-R	Copper alloy	Post-Sn	1 1 1 1
2	020 SMT Tab TML VTC	Copper alloy	Post-Au/Sn	9 9 9 9
1	020_D_SMT_10M_V_HSG_BL	PA9T-GF30	Blue	1 - - -
	020_D_SMT_10M_V_HSG_BR	PA9T-GF30	Brown	- 1 - -
	020_D_SMT_10M_V_HSG_BK	PA9T-GF30	Black	- - 1 -
	020_D_SMT_10M_V_HSG_NR	PA9T-GF30	Natural	- - - 1

Code A (Natural)  
Scale 2 : 1

Code B (Black)  
Scale 2 : 1

Code C (Brown)  
Scale 2 : 1

Code D (Blue)  
Scale 2 : 1

On request, development is scheduled.

TOLERANCES UNLESS OTHERWISE SPECIFIED	UNIT MM
0 ±	THIRD ANGLE PROJECTION
0.0 ±	
0.00 ±	
0.000 ±	
0.0000 ±	
ANGLES ±	
PRODUCT SPEC	APPLICATION SPEC

DRWN JK. HWANG	CHKD SJ. LEE	APVD CY. CHOI	NAME 020_D_C_SMT_9M_V_ASSY_Au_G	
MATERIAL SEE TABLE			CUSTOMER DRAWING	DRAWING NO KH2110138
FINISH/COLOR SEE TABLE			LOC	RESTRICTED TO
WEIGHT			SIZE A3	SCALE 3:1
			SHEET 1 of 1	REV A