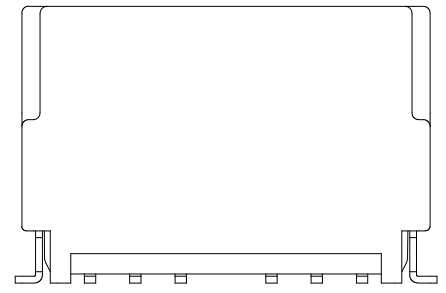
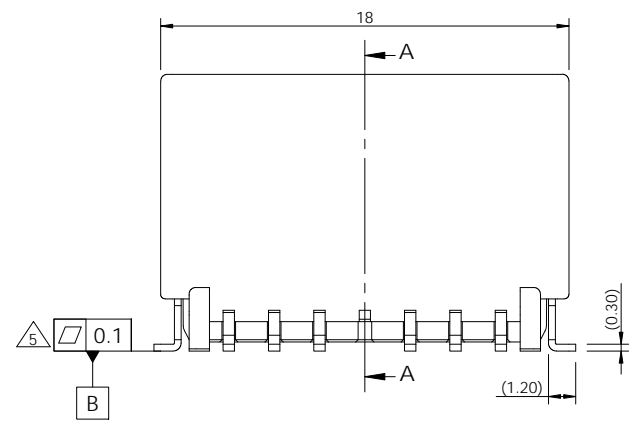
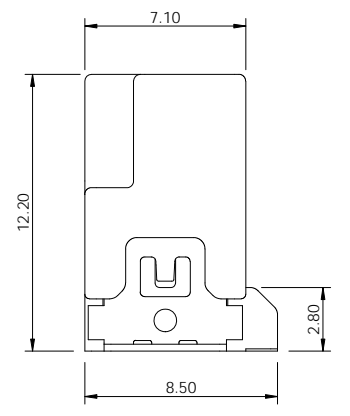
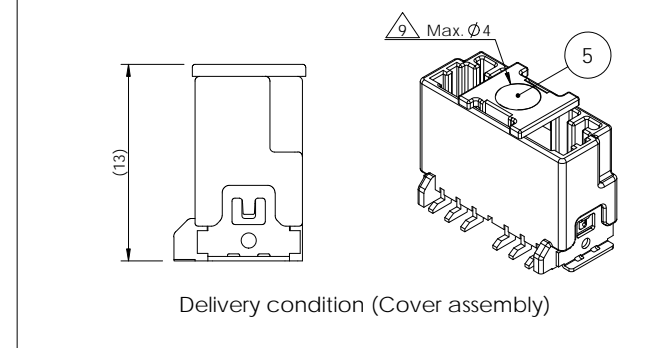
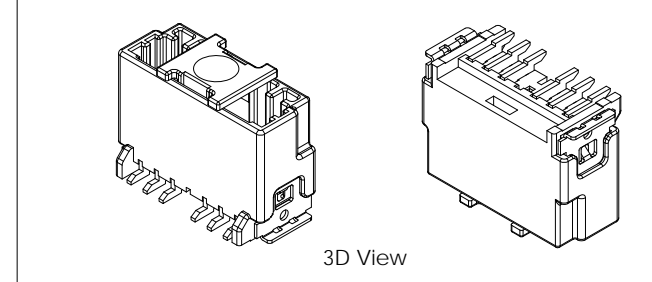
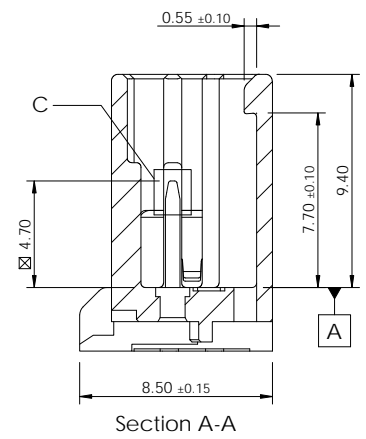
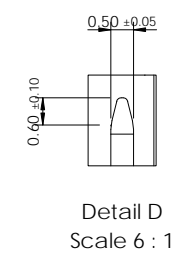
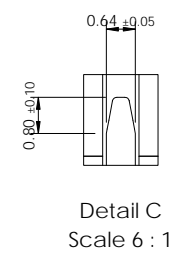
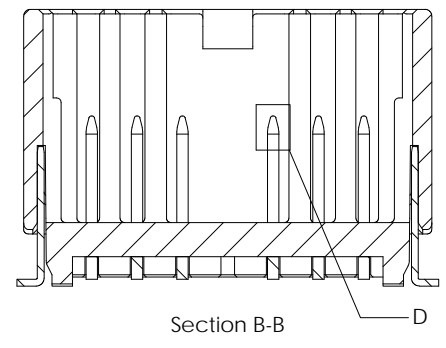
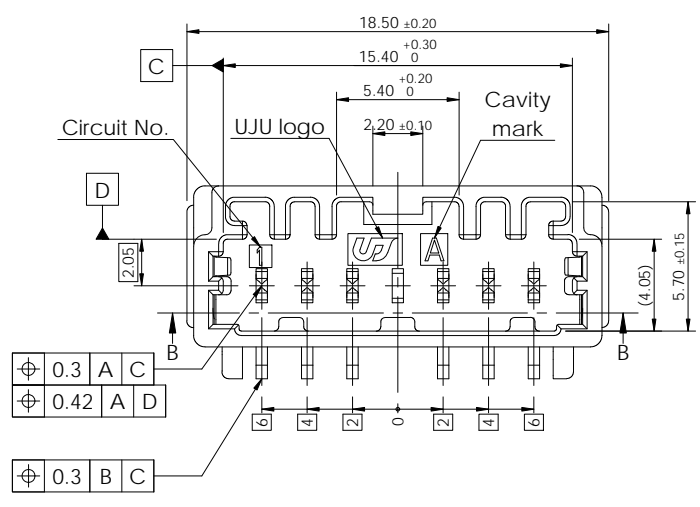
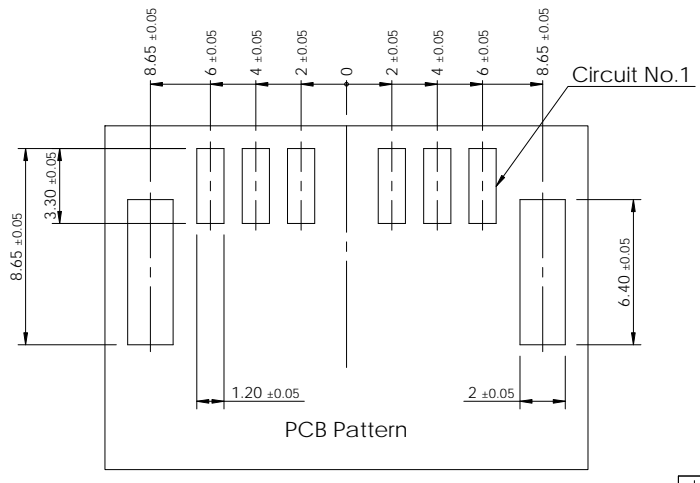
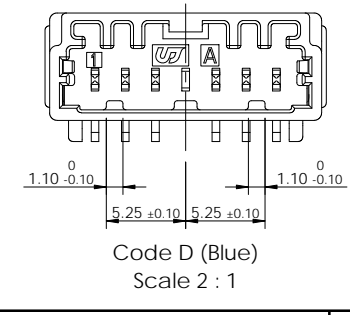
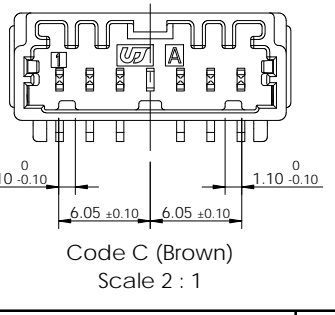
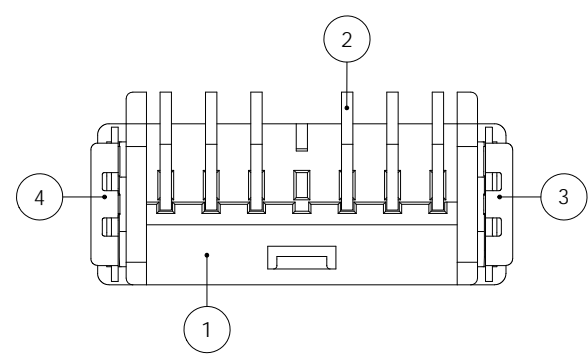
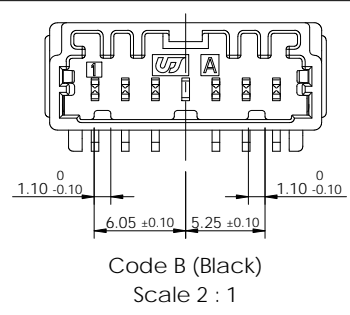
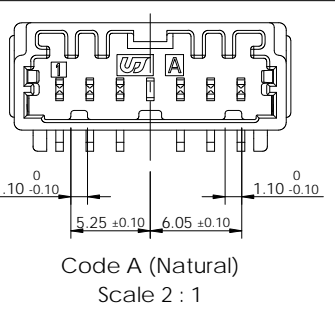


REV	REVISION RECORD	DATE	DRWN	CHKD	APVD
A	RELEASED (RD-2022-113)	05 SEP '22	JK	SJ	CY



Code	Part No.	Description
D	KH2110136-83	020_D_C_SMT_6M_V_ASSY_BL_Au_G
C	KH2110136-42	020_D_C_SMT_6M_V_ASSY_BR_Au_G
B	KH2110136-21	020_D_C_SMT_6M_V_ASSY_BK_Au_G
A	KH2110136-10	020_D_C_SMT_6M_V_ASSY_NR_Au_G



-Note-

- General tolerance : Refer to DIN 16742 TG5 specification.
- Burr Max.0.3
- No crack
- All letters shall be clear and legible.
- Measuring the demensions of Tab TML and Solder Peg.
- Finish Tab TML and Solder Peg
 - Sn plating 2.5~4.0µm (matte) over Ni 1.0~2.0µm
 - Au plating Min. 0.38µm
- Packing : Emboss tape
- Flammability : UL94-HB
- Vacuum grip area free of burr and factor pins, Max.Ø4.0
- Matching part
 - KH1910019 (020_D_C_6F_ASSY_G)

No.	Description	Material	Finish / Color	Q'ty
5	020_D_SMT_Cover_BK	LCP (E471i)	Black	1 1 1 1
4	020 SMT Solder Peg VTC-L	Copper alloy	Post-Sn	1 1 1 1
3	020 SMT Solder Peg VTC-R	Copper alloy	Post-Sn	1 1 1 1
2	020 SMT Tab TML VTC	Copper alloy	Post-Au/Sn	6 6 6 6
1	020_D_SMT_7M_V_HSG_BL	PA9T-GF30	Blue	1 - - -
	020_D_SMT_7M_V_HSG_BR	PA9T-GF30	Brown	- 1 - -
	020_D_SMT_7M_V_HSG_BK	PA9T-GF30	Black	- - 1 -
	020_D_SMT_7M_V_HSG_NR	PA9T-GF30	Natural	- - - 1

TOLERANCES UNLESS OTHERWISE SPECIFIED		UNIT MM		THIRD ANGLE PROJECTION		DRWN JK. HWANG		 (주)우주 일렉트로닉스 UJU Electronics co.,Ltd.	
0	±	0.0	±	0.00	±	CHKD SJ. LEE	NAME		
0.000	±	0.0000	±	ANGLES	±	APVD CY. CHOI	MATERIAL	SEE TABLE	
PRODUCT SPEC	APPLICATION SPEC	WEIGHT	FINISH/COLOR	SEE TABLE	CUSTOMER DRAWING		DRAWING NO		
RESTRICTED TO		SIZE	SCALE	SHEET	REV		020_D_C_SMT_6M_V_ASSY_Au_G		
A3		3:1	1 of 1	A	KH2110136				