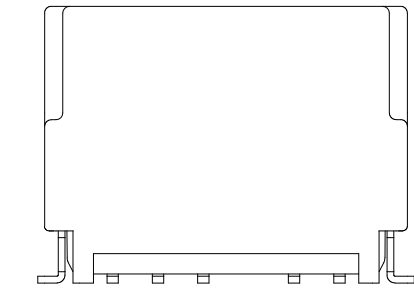
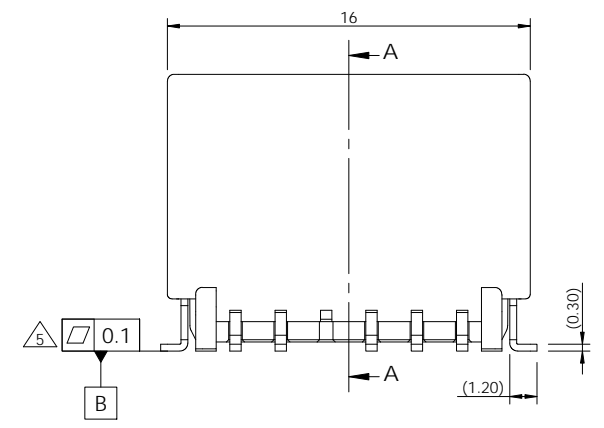
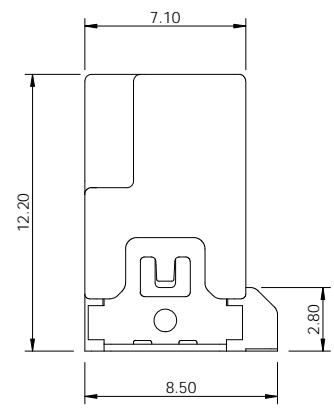
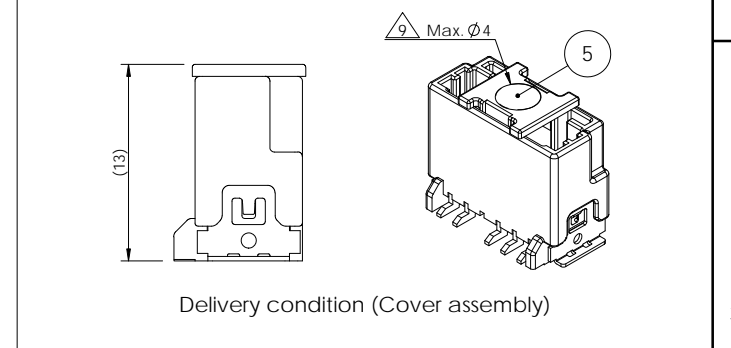
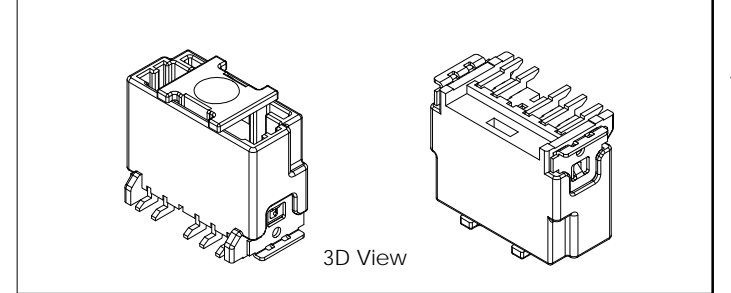
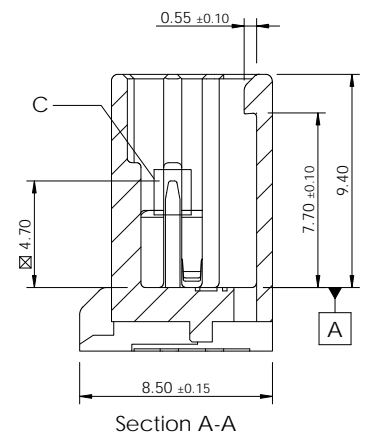
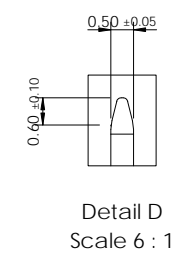
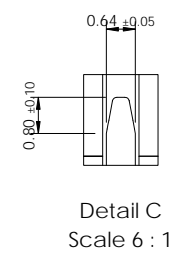
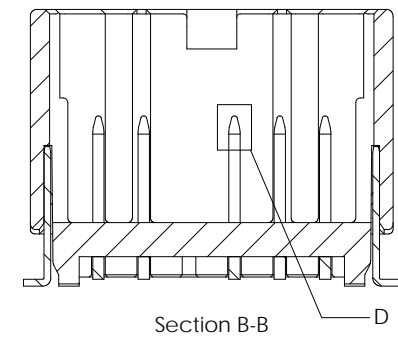
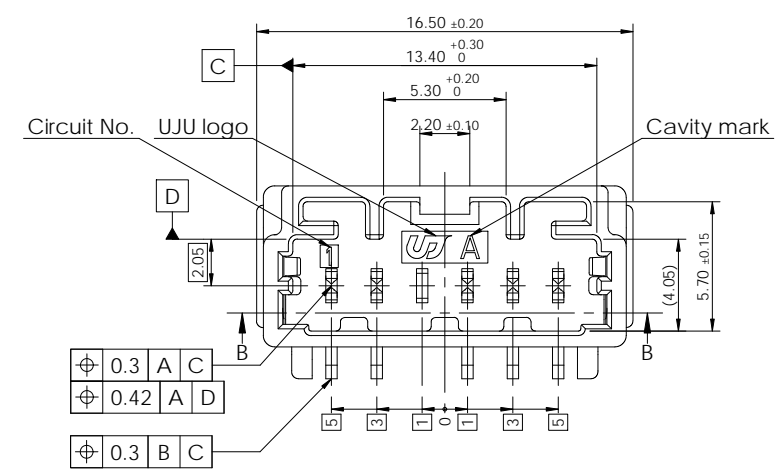
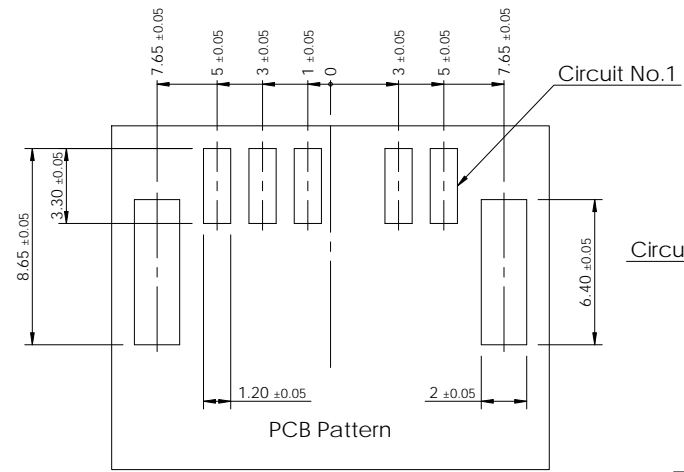
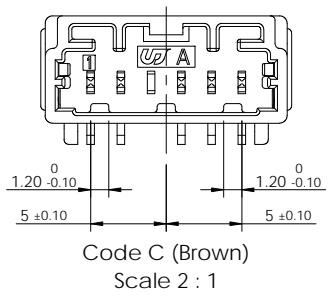
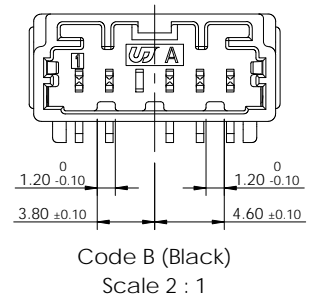
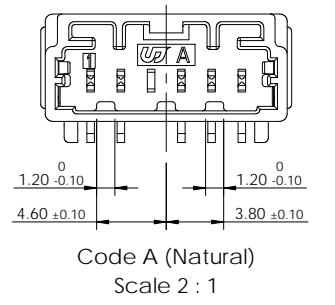


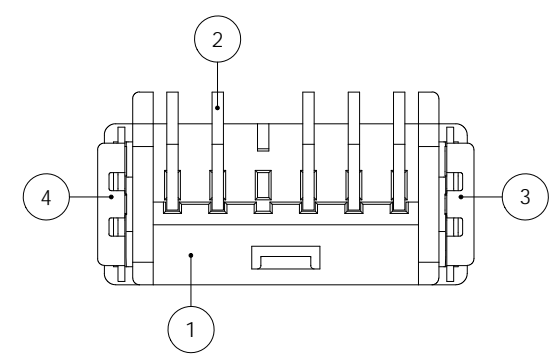
REV	REVISION RECORD	DATE	DRWN	CHKD	APVD
A	RELEASED (RD-2022-113)	05 SEP '22	JK	SJ	CY



Code	Part No.	Description
D		020_D_C_SMT_5M_V_ASSY_BL_Au_G
C	KH2110135-42	020_D_C_SMT_5M_V_ASSY_BR_Au_G
B	KH2110135-21	020_D_C_SMT_5M_V_ASSY_BK_Au_G
A	KH2110135-10	020_D_C_SMT_5M_V_ASSY_NR_Au_G



On request, development is scheduled.



-Note-

- General tolerance : Refer to DIN 16742 TG5 specification.
- Burr Max.0.3
- No crack
- All letters shall be clear and legible.
- Measuring the demensions of Tab TML and Solder Peg.
- Finish Tab TML and Solder Peg
  - Sn plating 2.5~4.0 $\mu$ m (matte) over Ni 1.0~2.0 $\mu$ m
  - Au plating Min. 0.38 $\mu$ m
- Packing : Emboss tape
- Flammability : UL94-HB
- Vacum grip area free of burr and fector pins, Max.Ø4.0.
- Matching part
  - KH1910017 (020\_D\_C\_5F\_ASSY\_G)

No.	Description	Material	Finish / Color	Q'ty
5	020_D_SMT_Cover_BK	LCP (E471i)	Black	1 1 1 1
4	020 SMT Solder Peg VTC-L	Copper alloy	Post-Sn	1 1 1 1
3	020 SMT Solder Peg VTC-R	Copper alloy	Post-Sn	1 1 1 1
2	020 SMT Tab TML VTC	Copper alloy	Post-Au/Sn	5 5 5 5
1	020_D_SMT_6M_V_HSG_BL	PA9T-GF30	Blue	1 - - -
	020_D_SMT_6M_V_HSG_BR	PA9T-GF30	Brown	- 1 - -
	020_D_SMT_6M_V_HSG_BK	PA9T-GF30	Black	- - 1 -
	020_D_SMT_6M_V_HSG_NR	PA9T-GF30	Natural	- - - 1

DRWN JK. HWANG CHKD SJ. LEE APVD CY. CHOI		(주)우주 일렉트로닉스 UJU Electronics co.,Ltd.	
TOLERANCES UNLESS OTHERWISE SPECIFIED 0 ± 0.0 ± 0.00 ± 0.000 ± 0.0000 ± ANGLES ± PRODUCT SPEC		UNIT MM THIRD ANGLE PROJECTION APPLICATION SPEC	
MATERIAL SEE TABLE FINISH/COLOR SEE TABLE		NAME 020_D_C_SMT_5M_V_ASSY_Au_G	
WEIGHT		CUSTOMER DRAWING KH2110135	
LOC	RESTRICTED TO	SIZE A3	SCALE 3:1
		SHEET 1 of 1	REV A